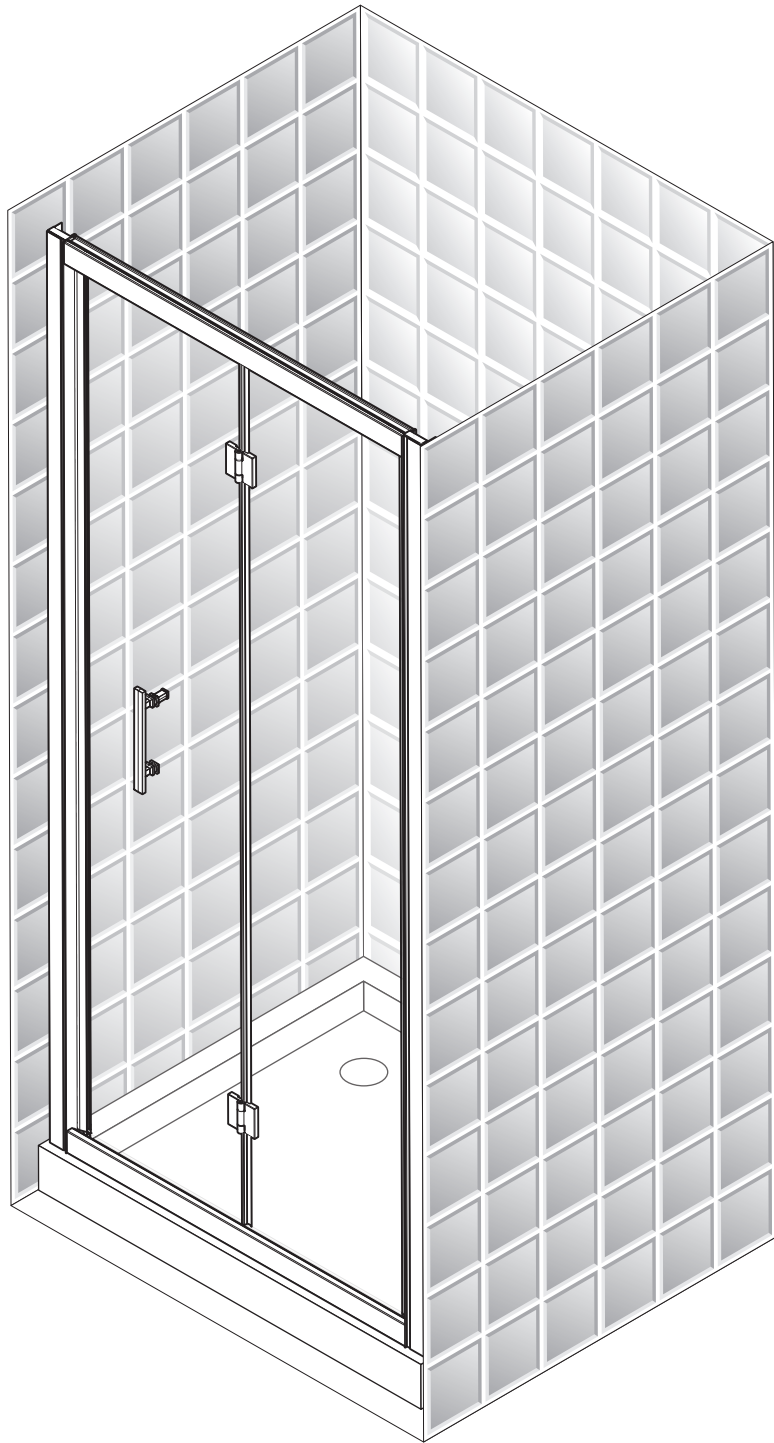
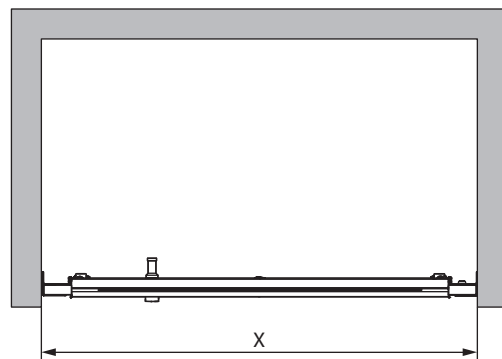
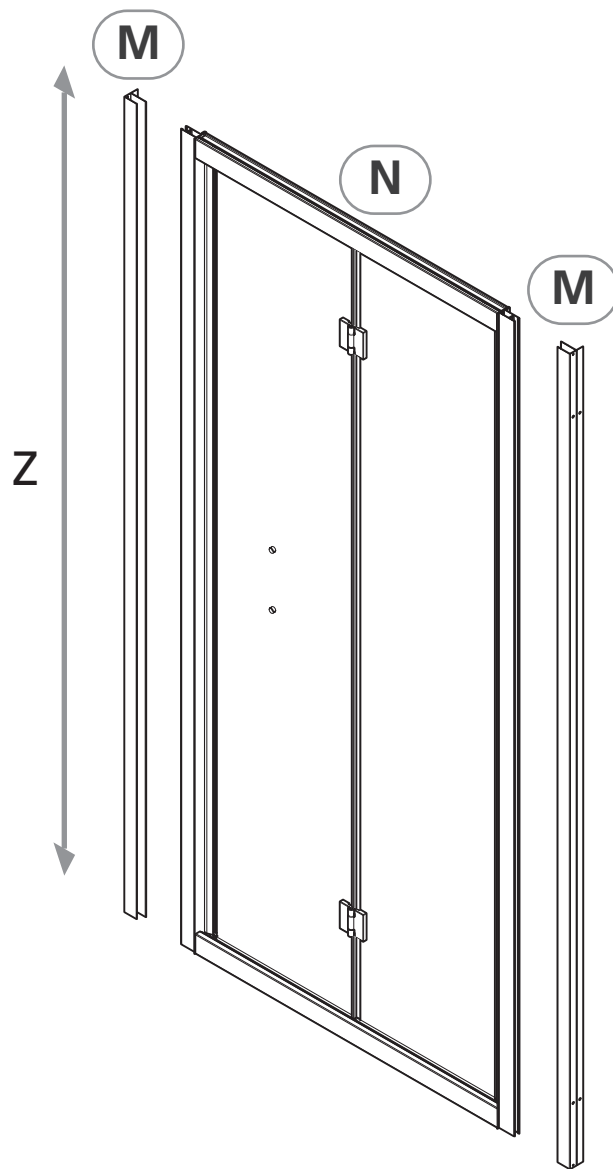


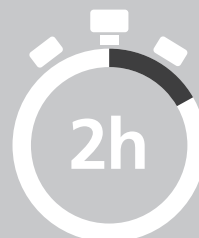
ZEPHYROS

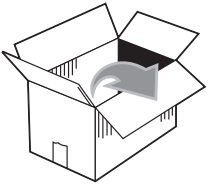
S



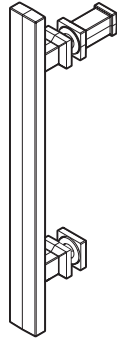


S66	X=66-72 cm	Z=195 cm
S72	X=72-78 cm	Z=195 cm
S76	X=76-82 cm	Z=195 cm
S86	X=86-92 cm	Z=195 cm
S96	X=96-102 cm	Z=195 cm

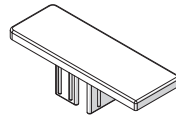




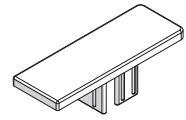
B1



B2

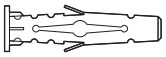


B3



C1

x4



C2

x4



4X35 mm

C5

x4



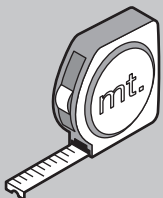
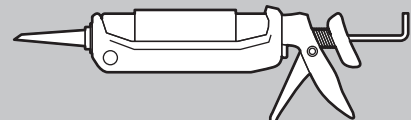
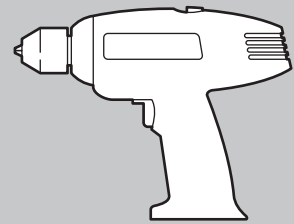
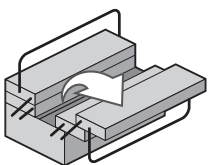
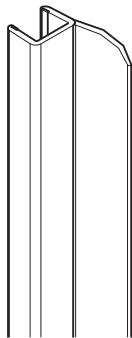
3,5x9,5 mm

C6

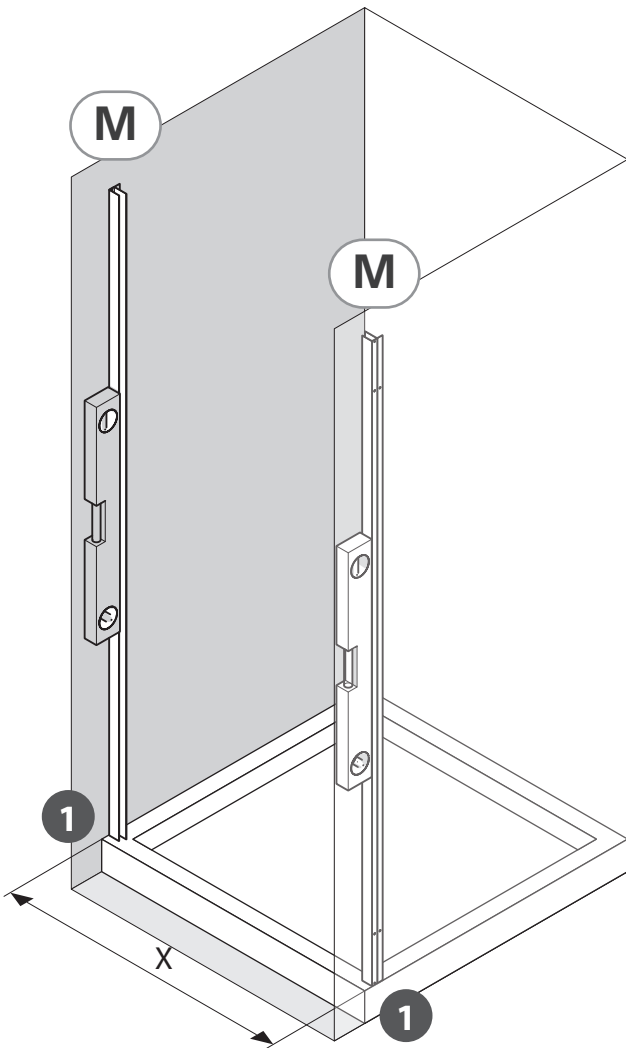
x6



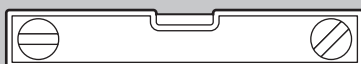
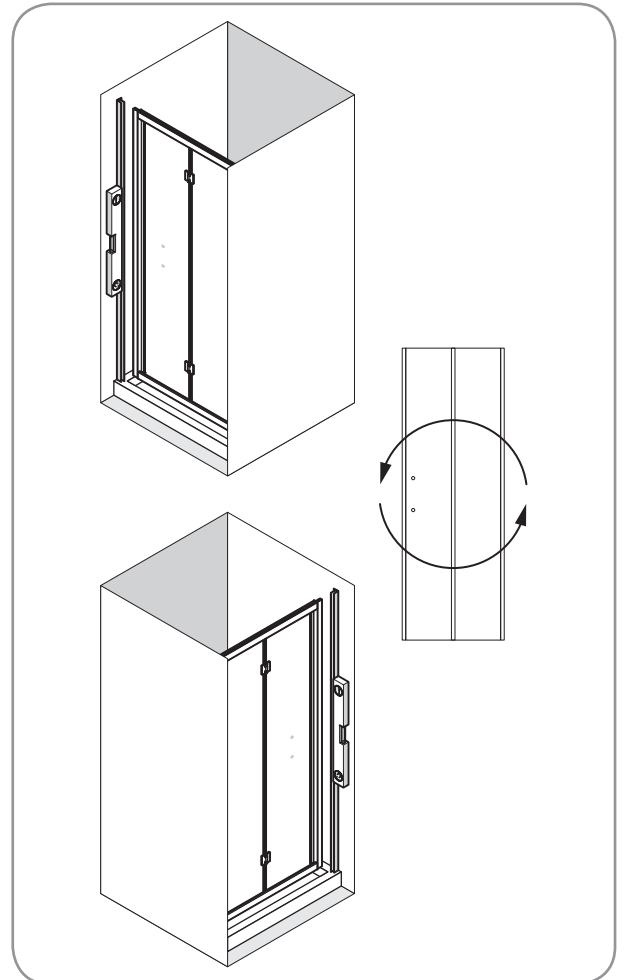
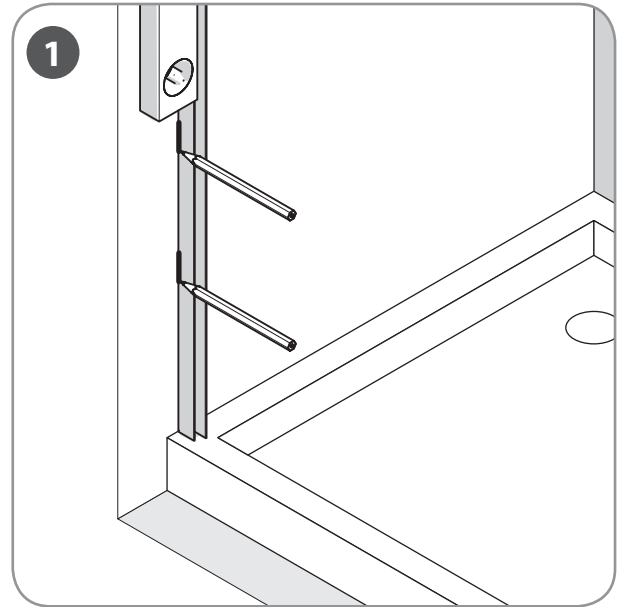
D1



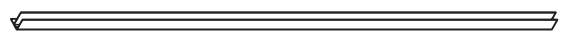
1



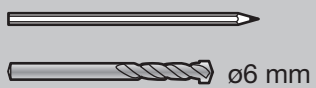
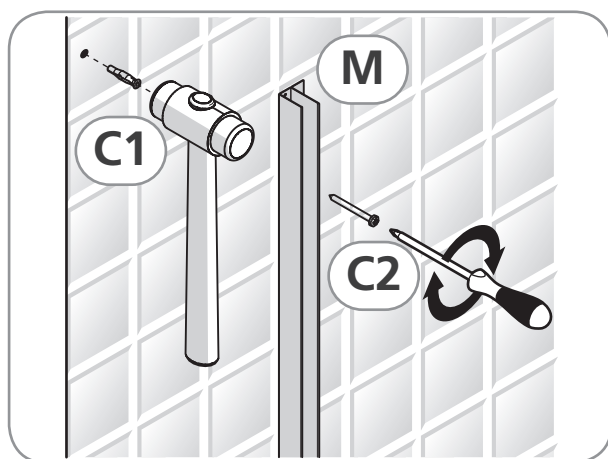
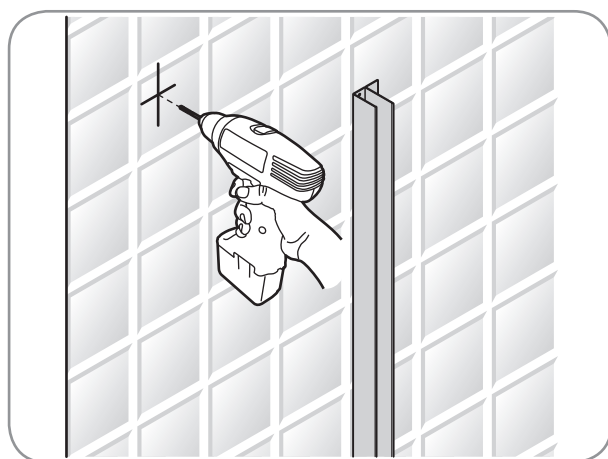
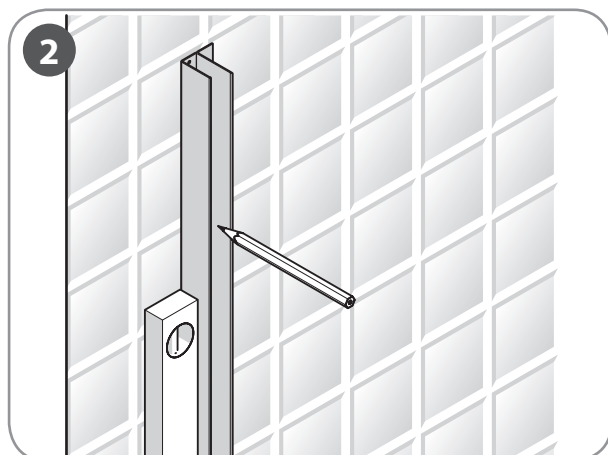
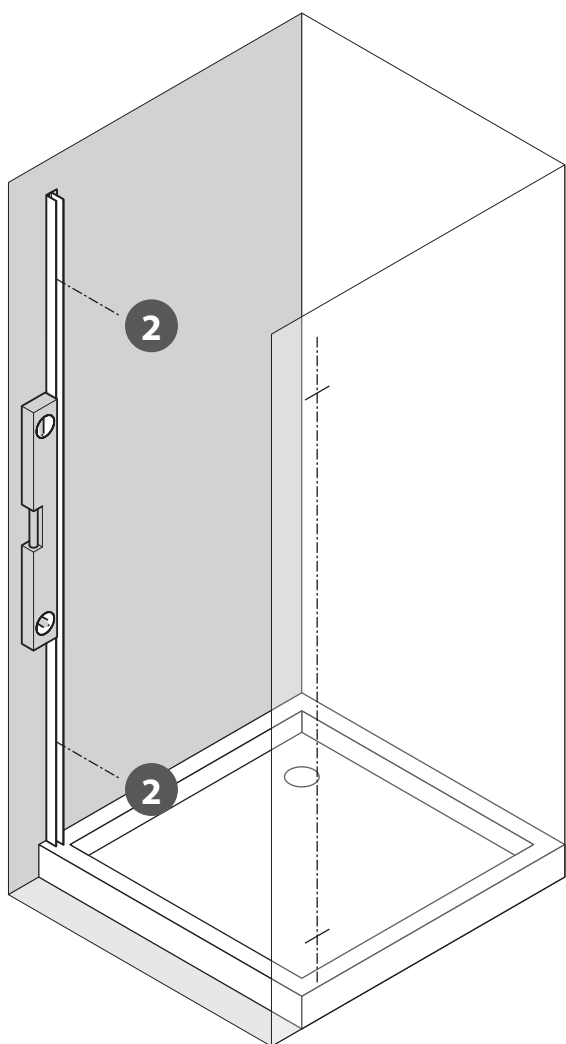
- S66 X=66-72 cm
- S72 X=72-78 cm
- S76 X=76-82 cm
- S86 X=86-92 cm
- S96 X=96-102 cm



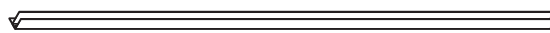
M



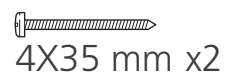
x2



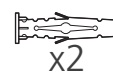
M



C2

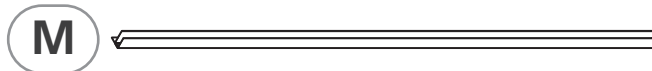
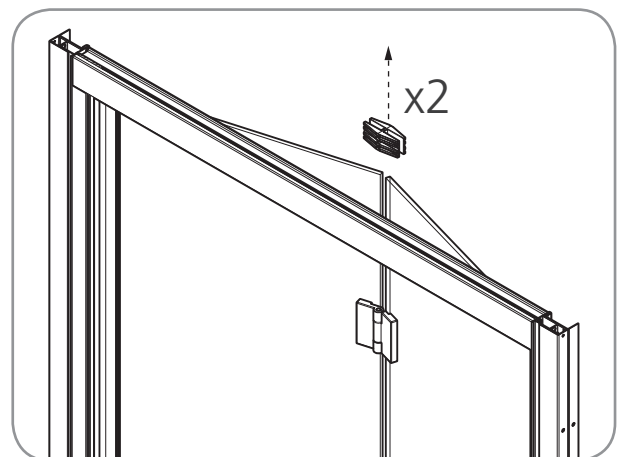
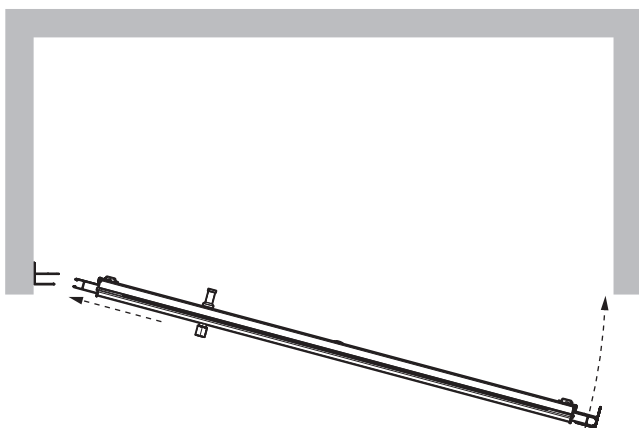
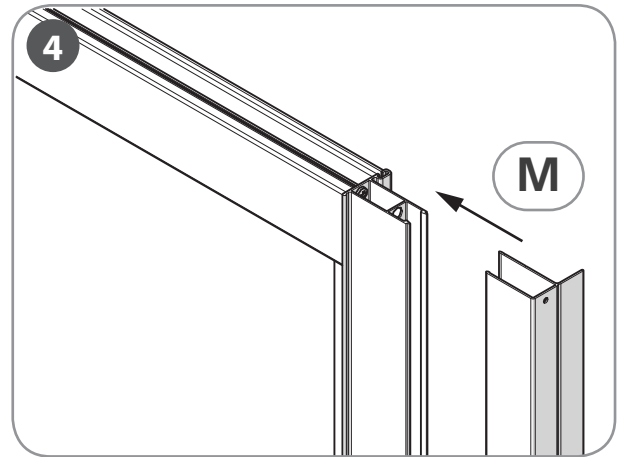
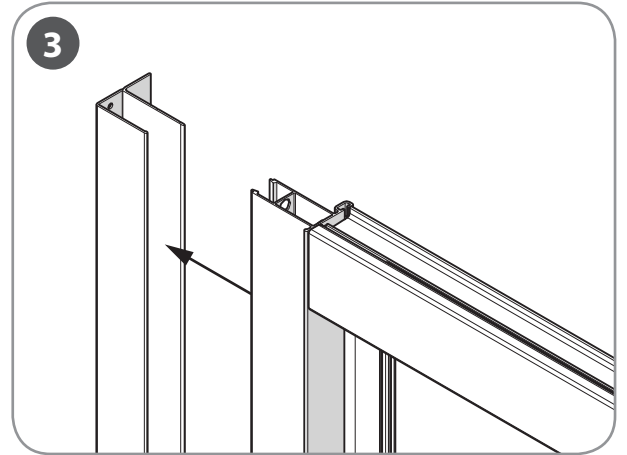
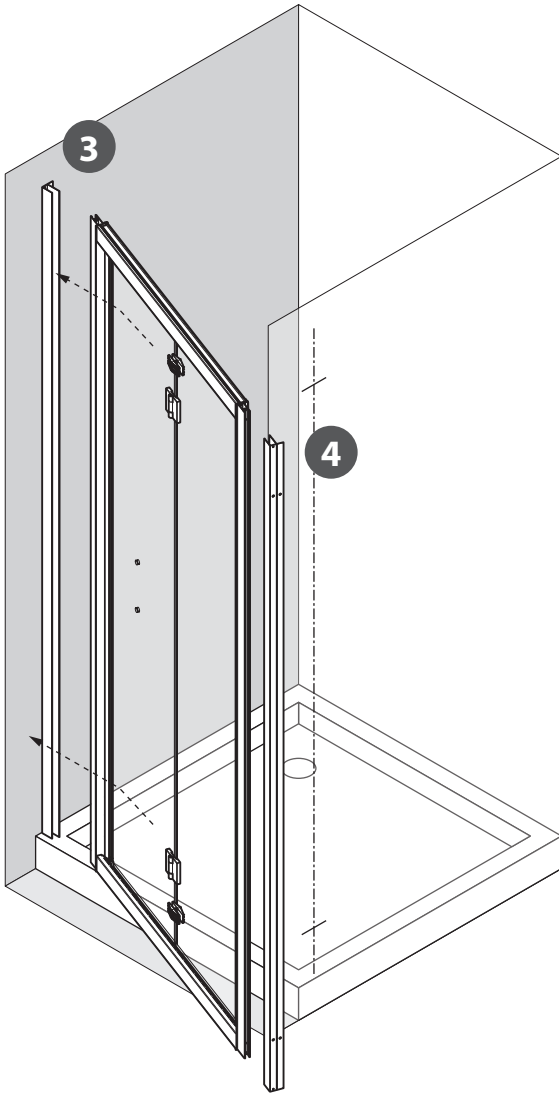


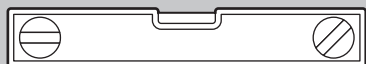
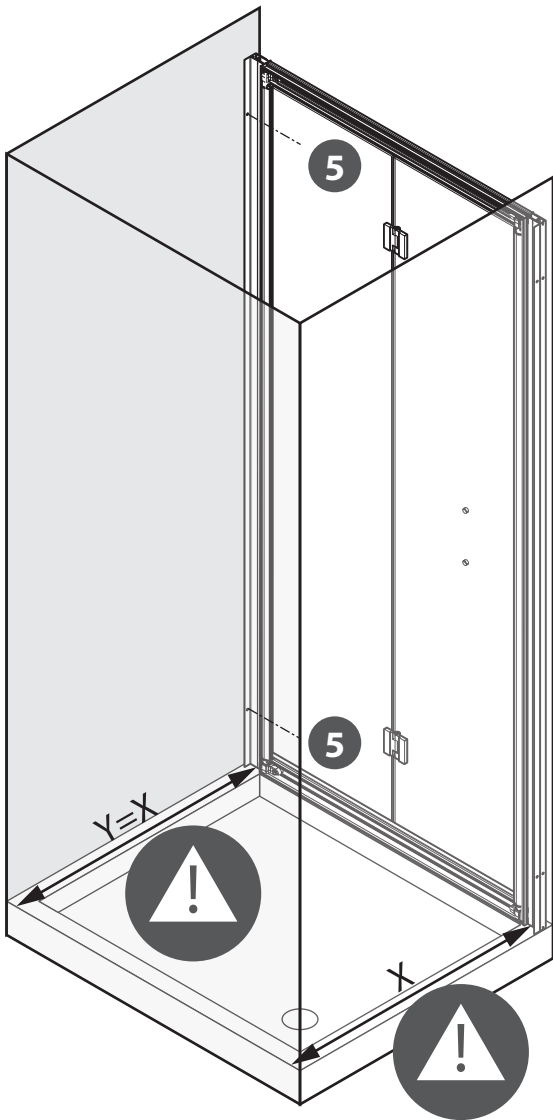
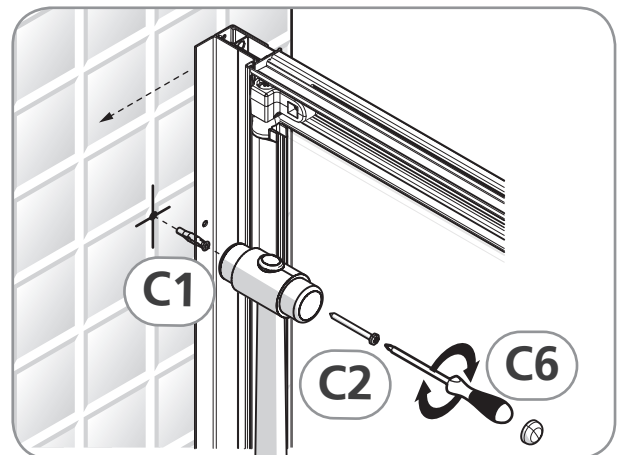
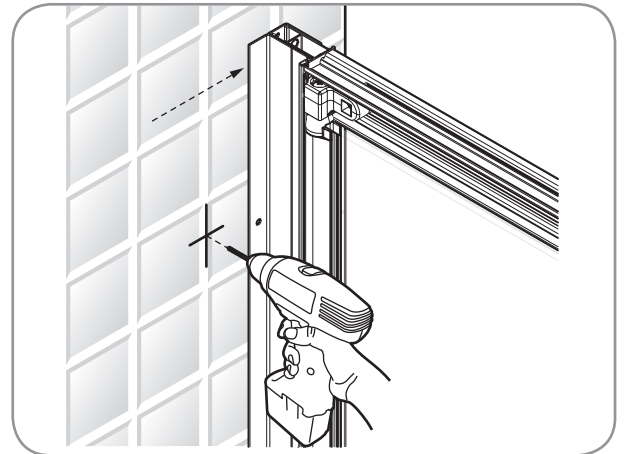
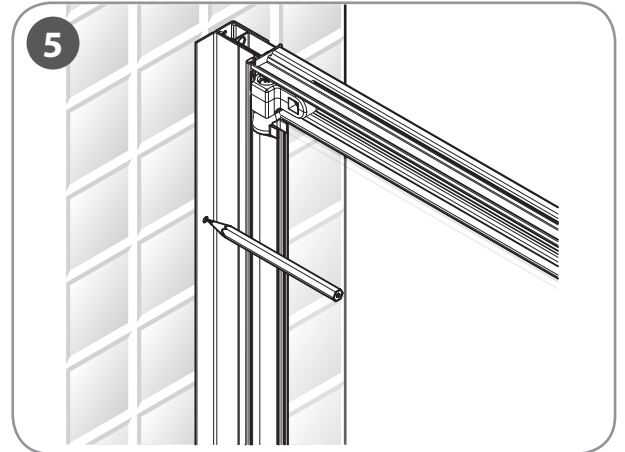
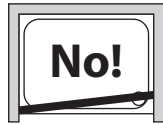
C1



x2

3



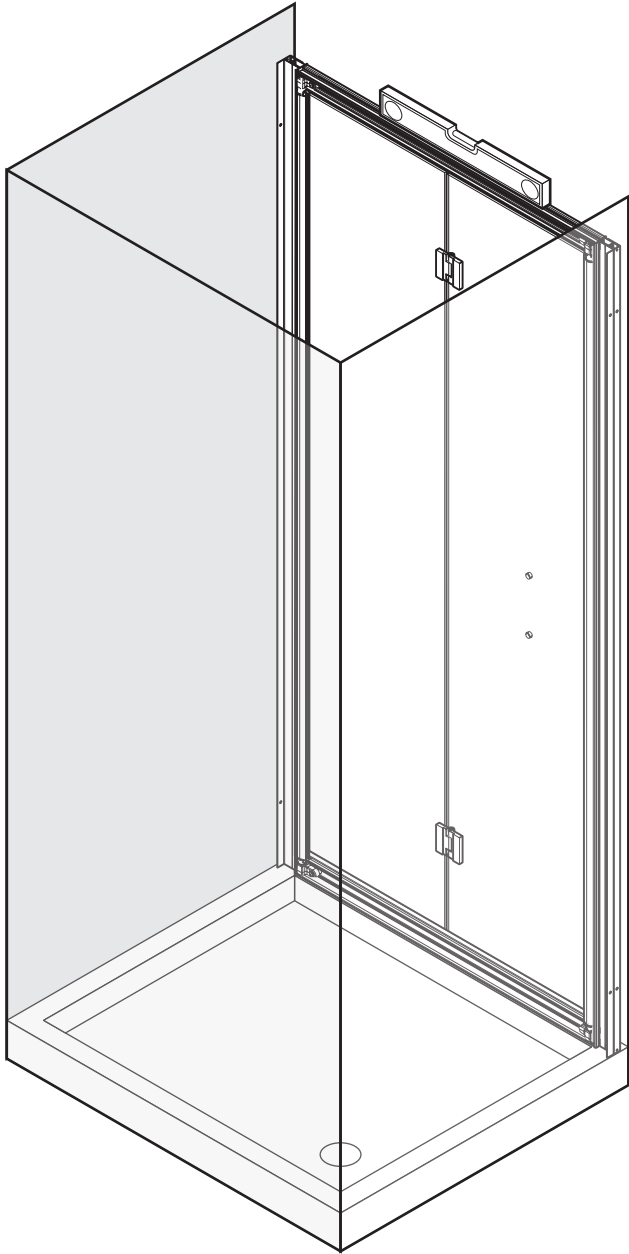


C2 x2
4X35 mm

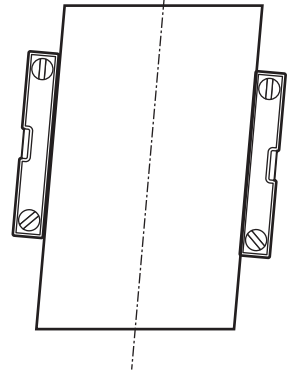
C1 x2

C6 x2

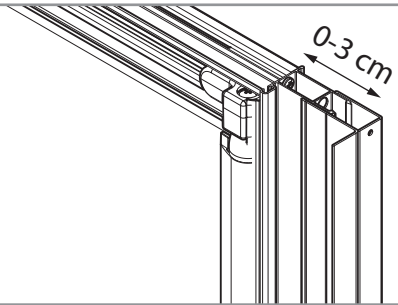
5



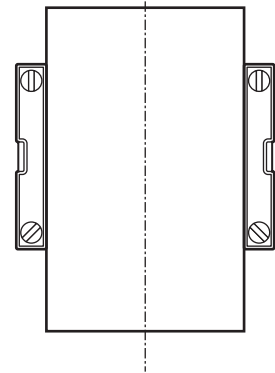
No!

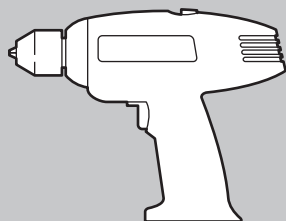
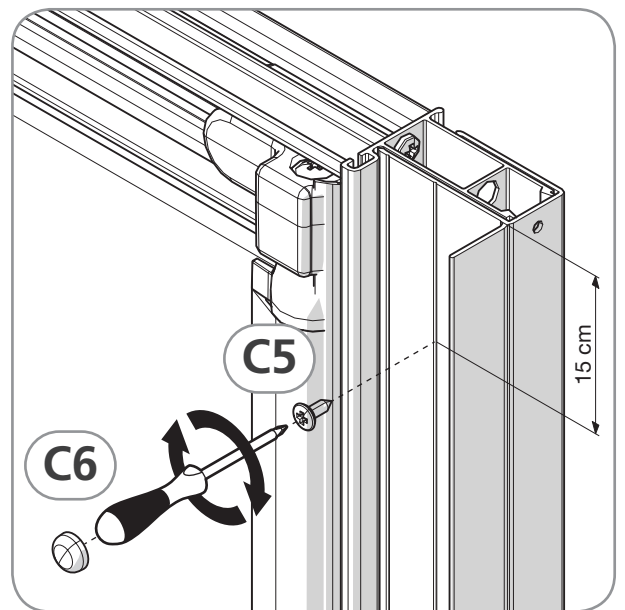
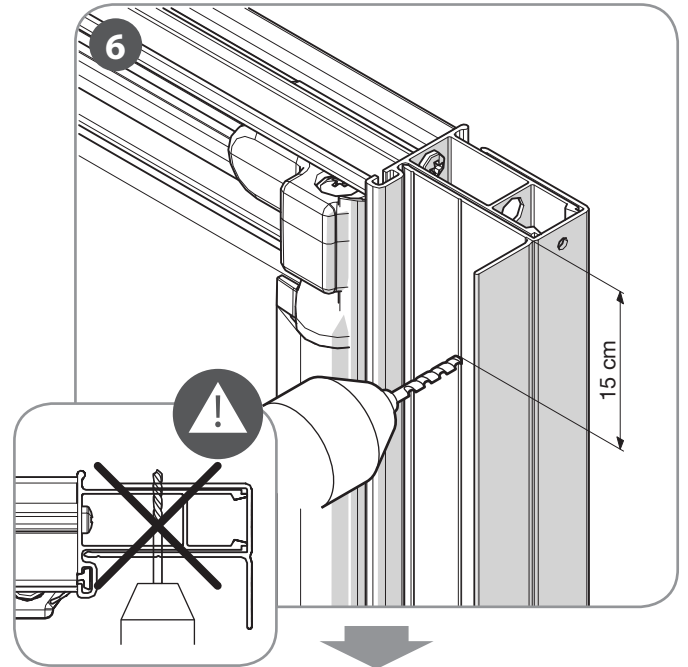
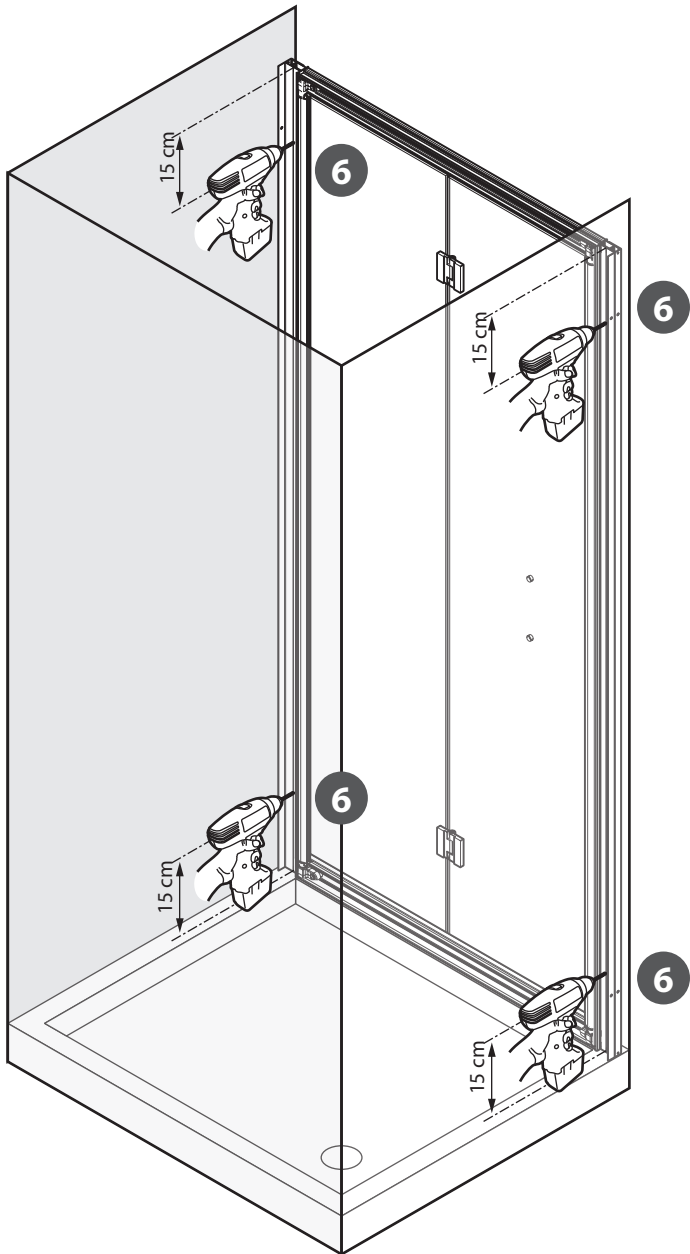


0-3 cm



OK





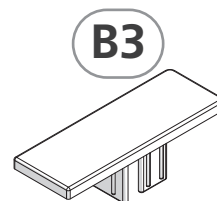
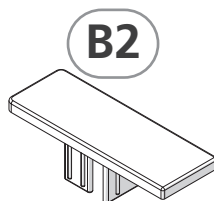
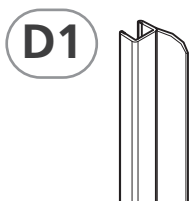
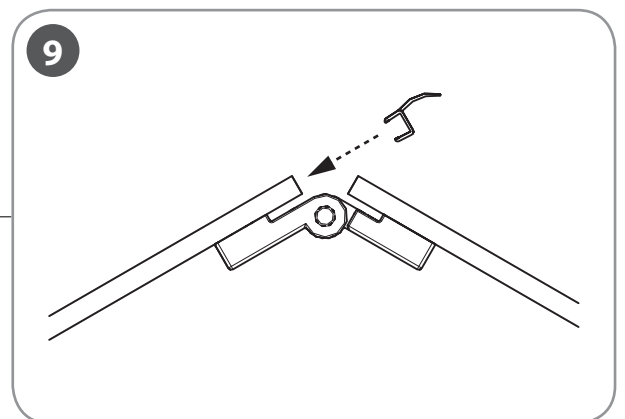
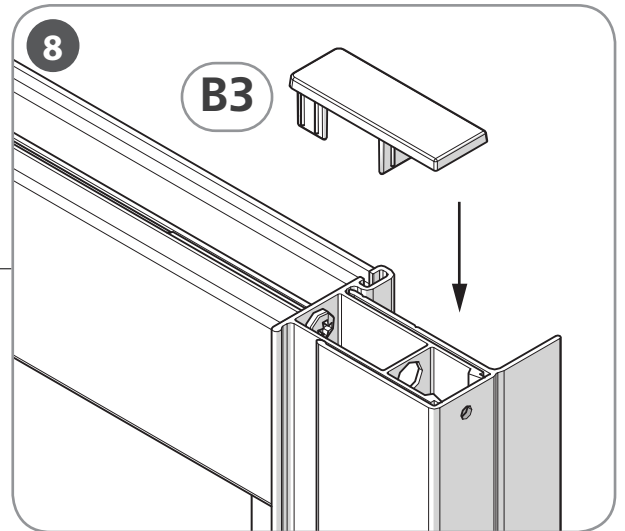
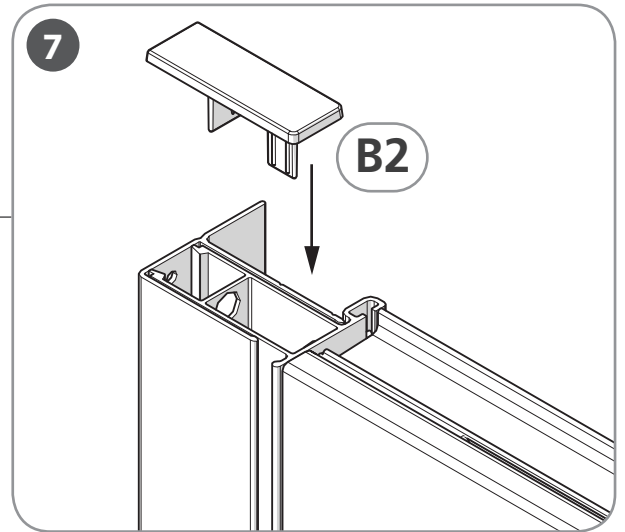
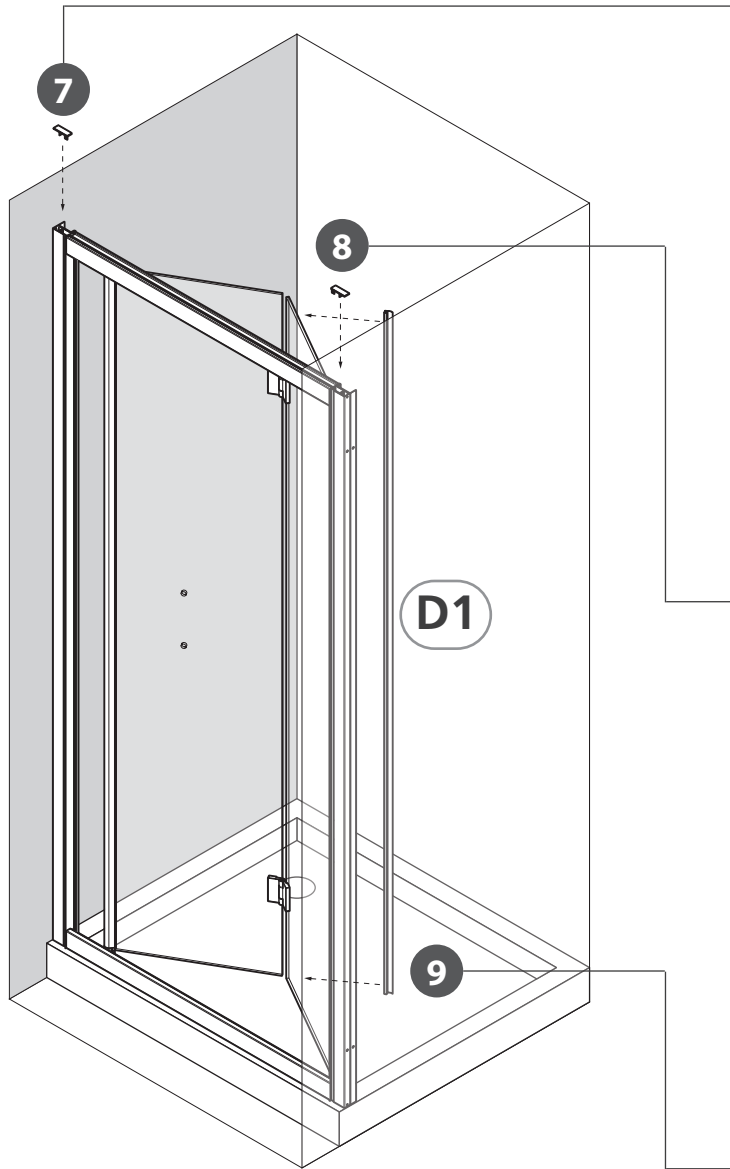
ø2,75 mm

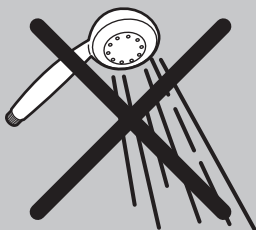
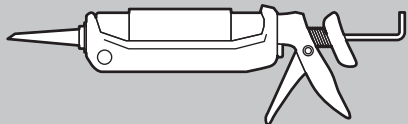
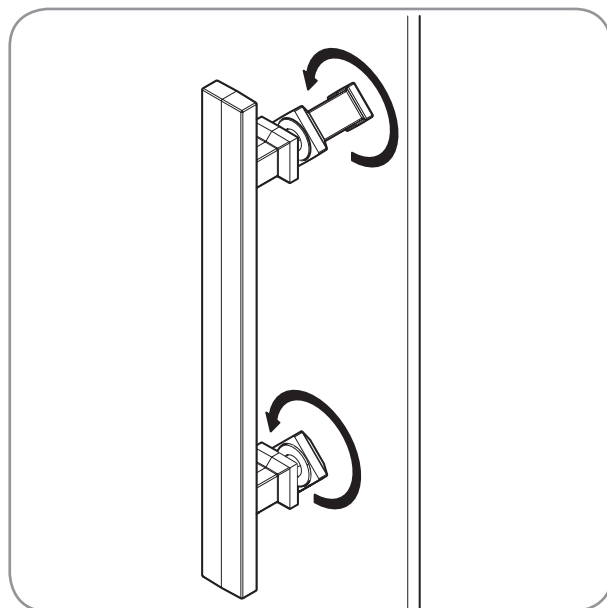
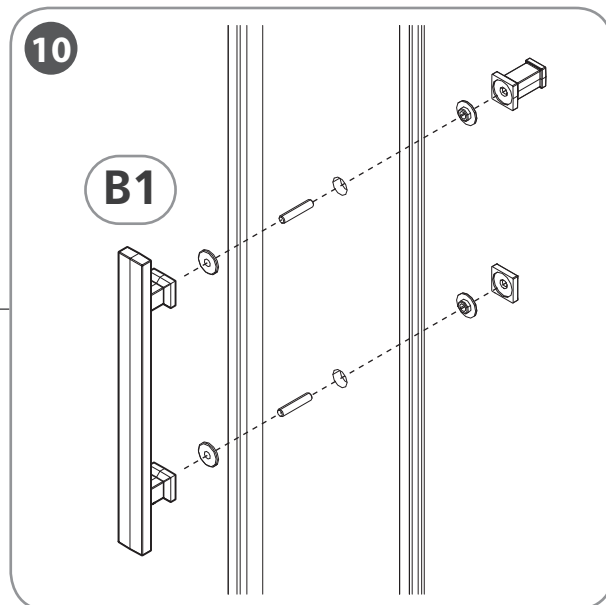
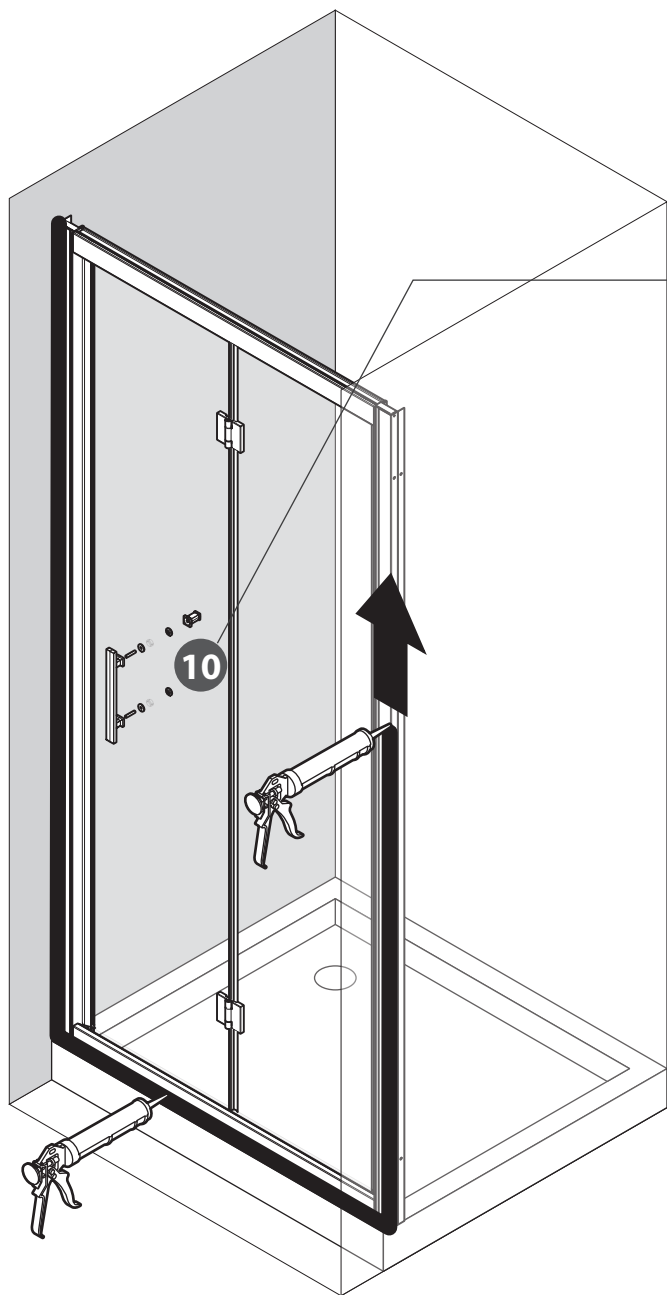


3,5x9,5 mm
x4



x4





B1

