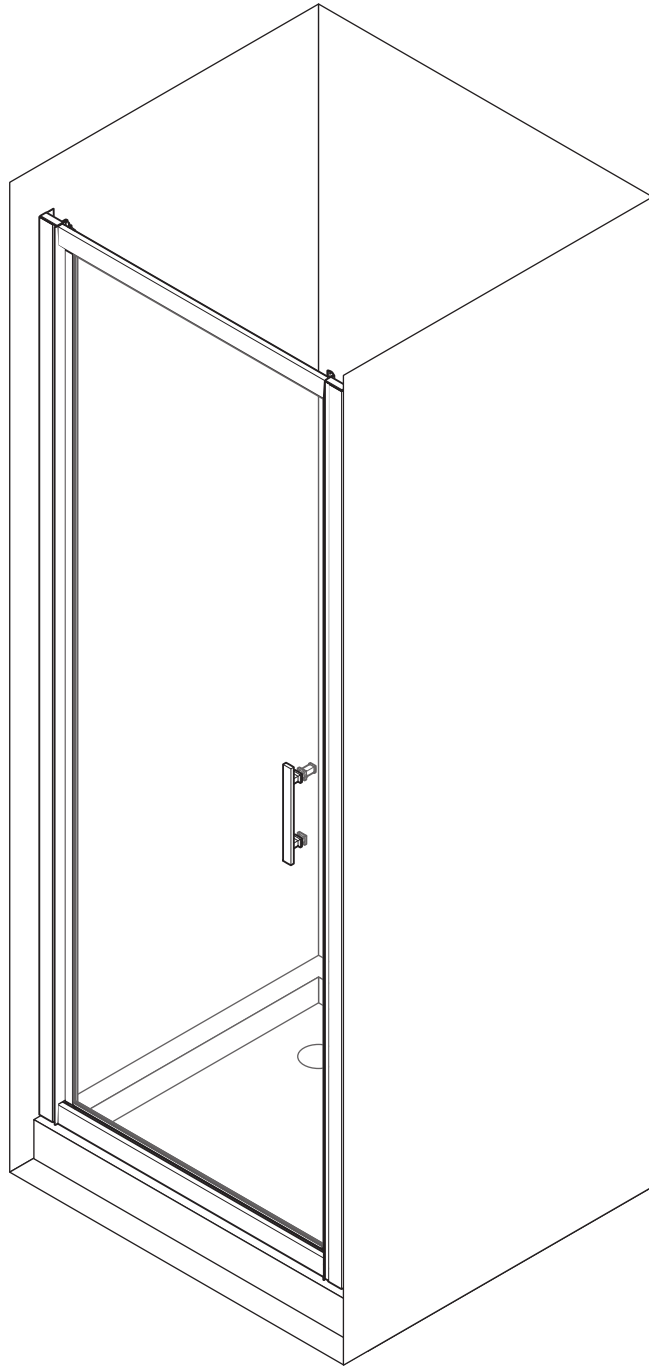
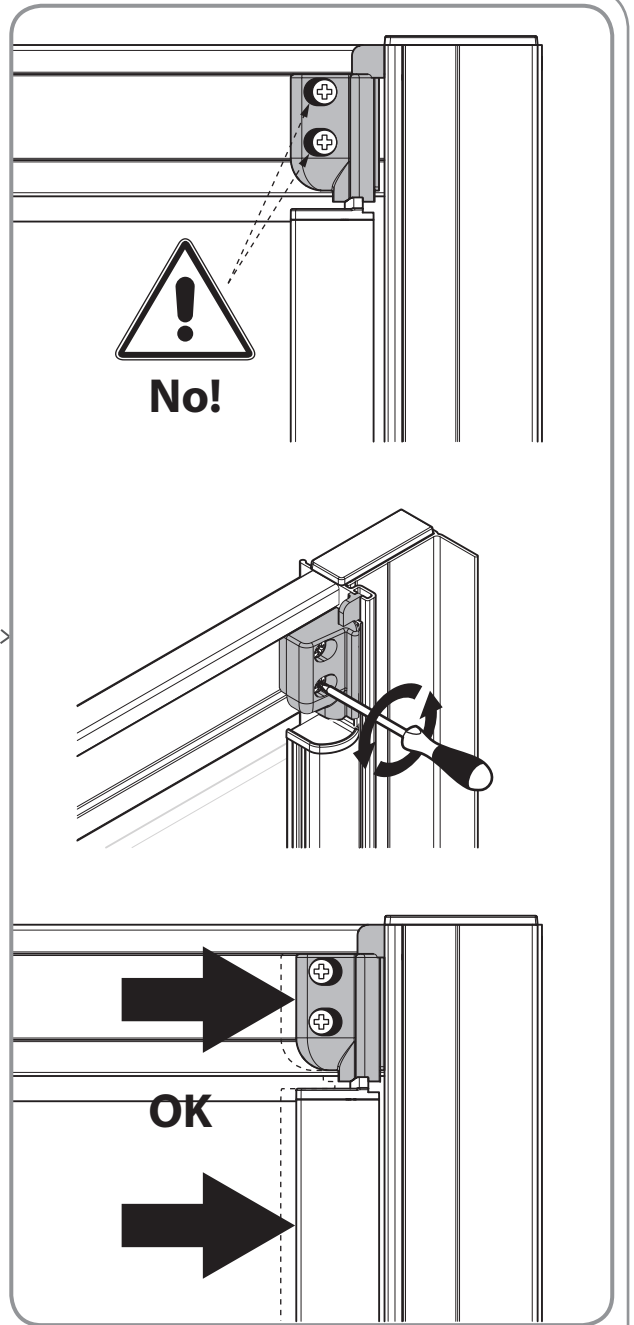
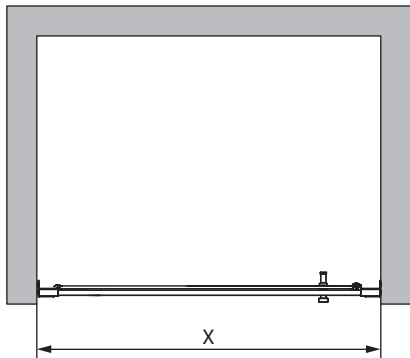
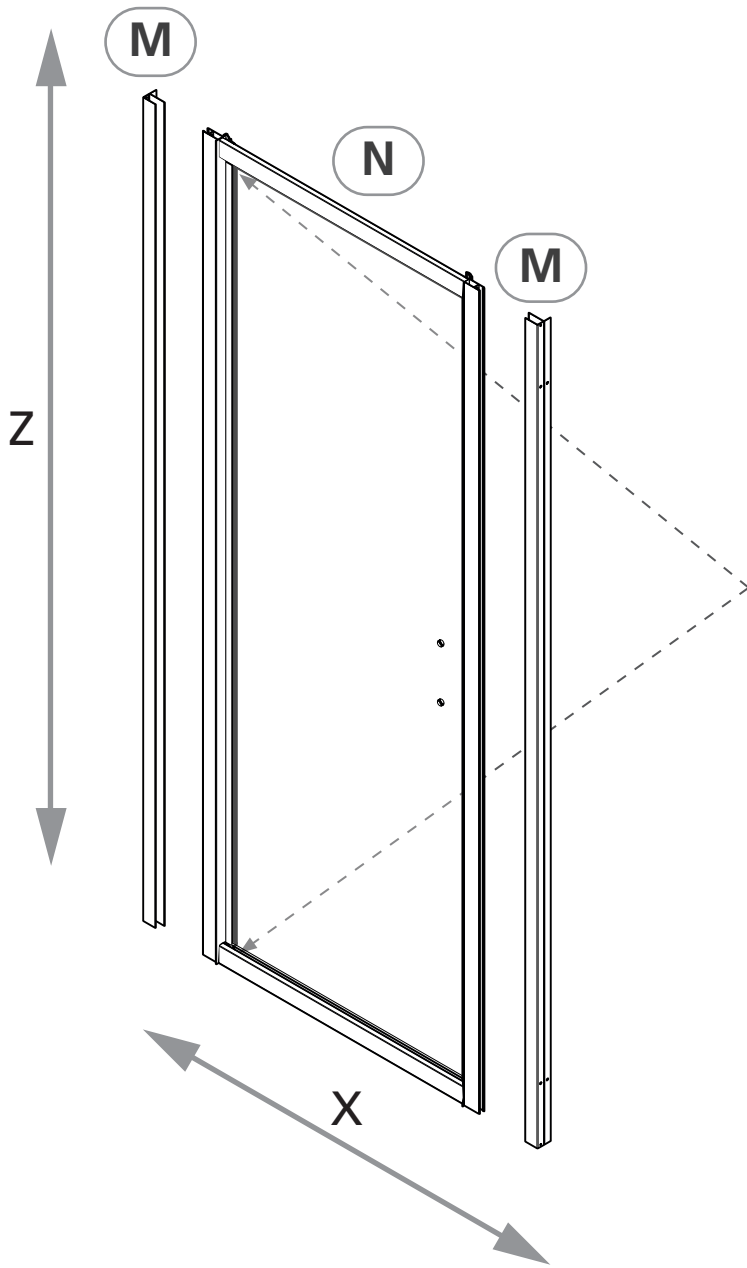


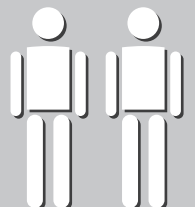
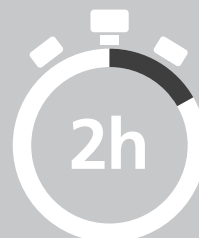
# ZEPHYROS

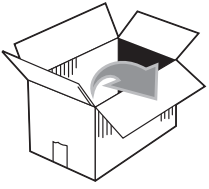
# G



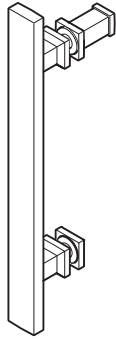



G66	X=66-72 cm	Z=195 cm
G72	X=72-78 cm	Z=195 cm
G76	X=76-82 cm	Z=195 cm
G86	X=86-92 cm	Z=195 cm
G96	X=96-102 cm	Z=195 cm

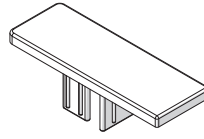




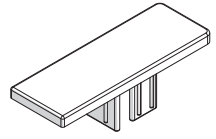
**B1**



**B2**

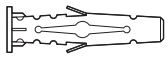


**B3**



**C1**

x4



**C2**

x4



4X35 mm

**C5**

x4



3,5x9,5 mm

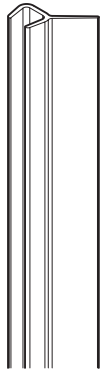
**C6**

x6

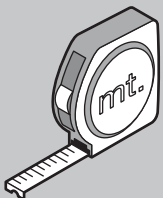
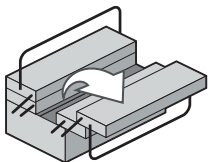
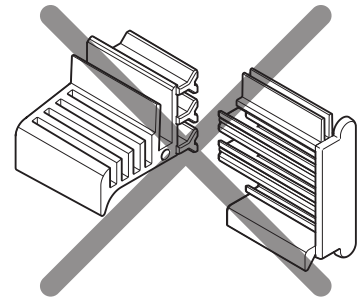


**D1**

x1



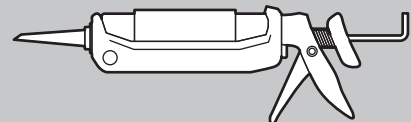
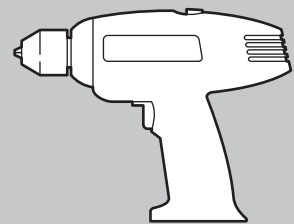
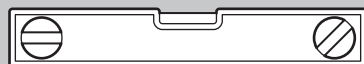
x2



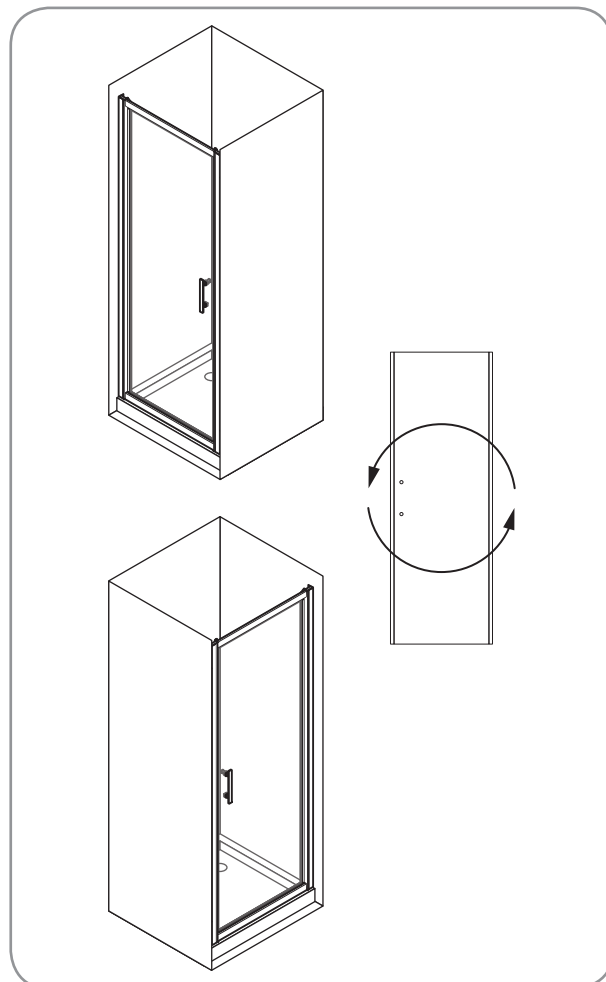
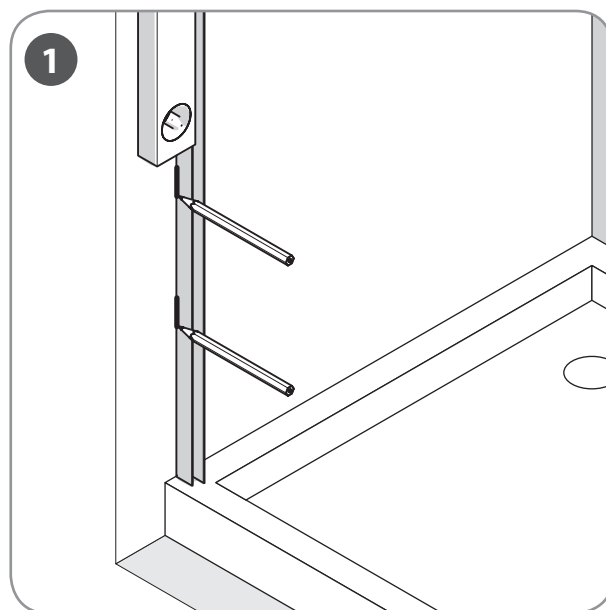
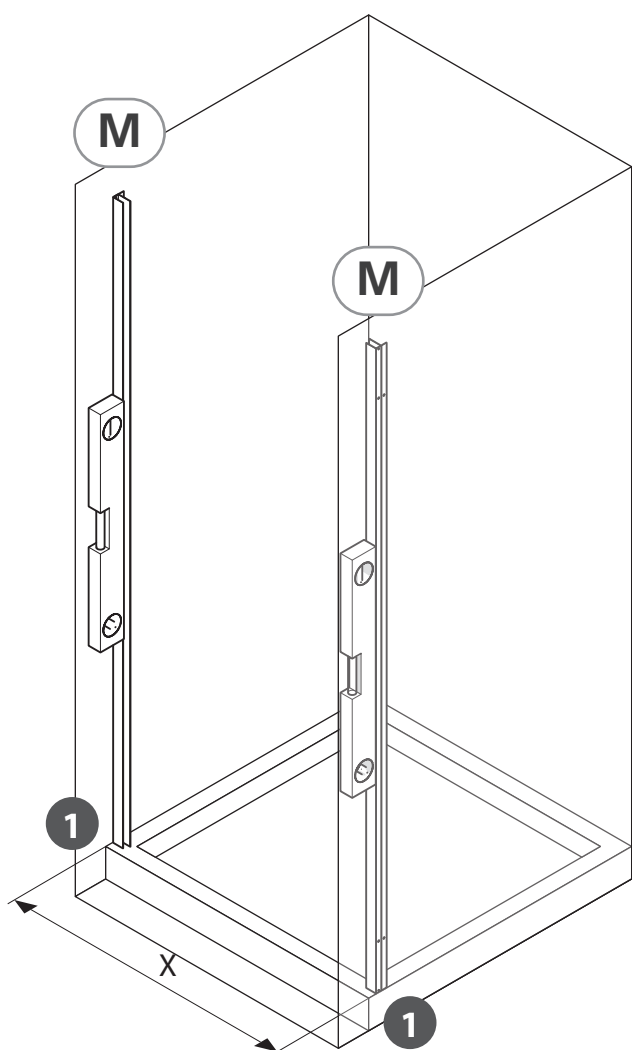
ø6 mm



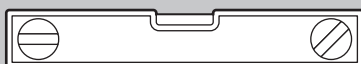
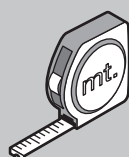
ø3 mm



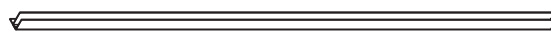
# 1



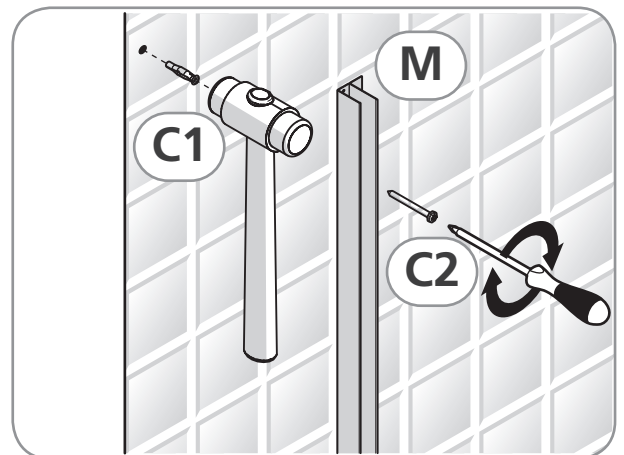
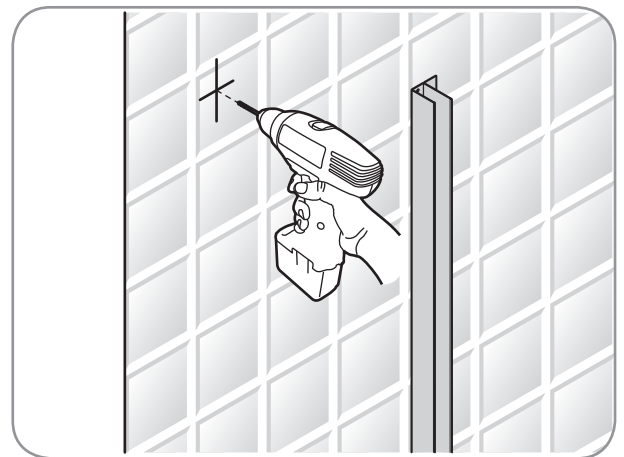
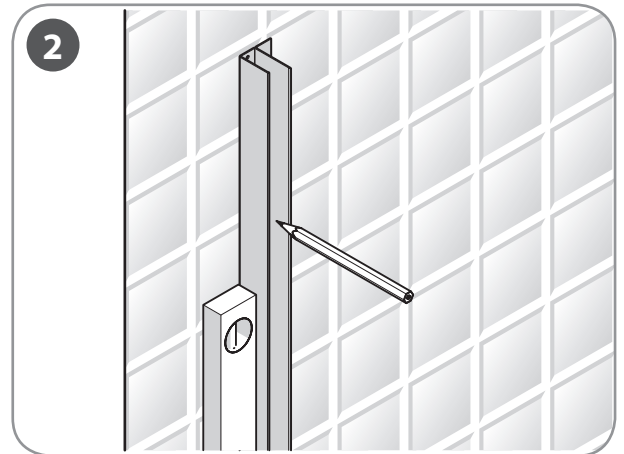
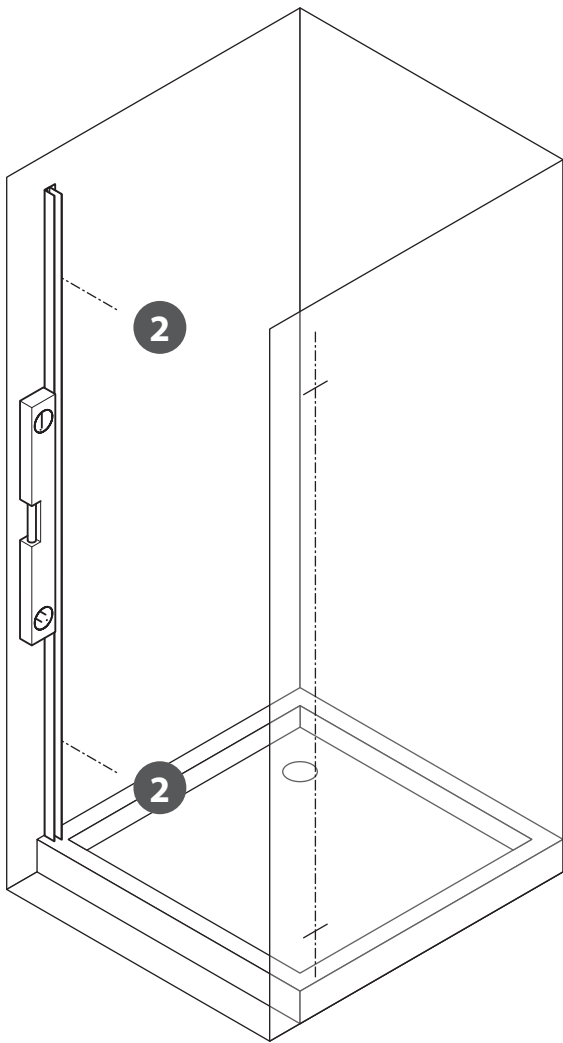
G66	X=66-72 cm
G72	X=72-78 cm
G76	X=76-82 cm
G86	X=86-92 cm
G96	X=96-102 cm



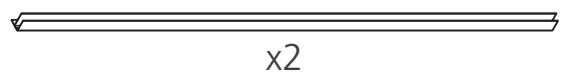
**M**



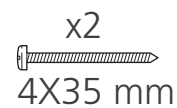
x2



M



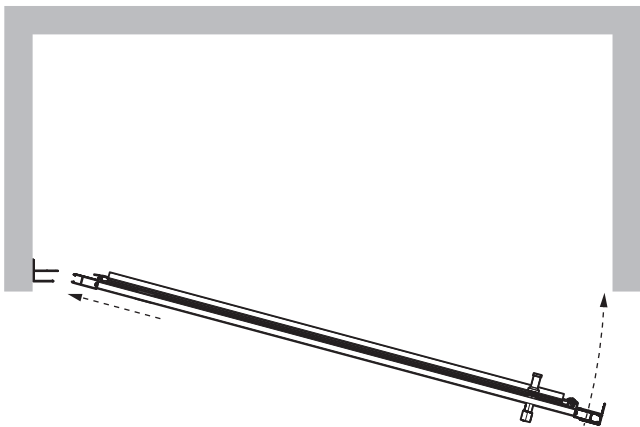
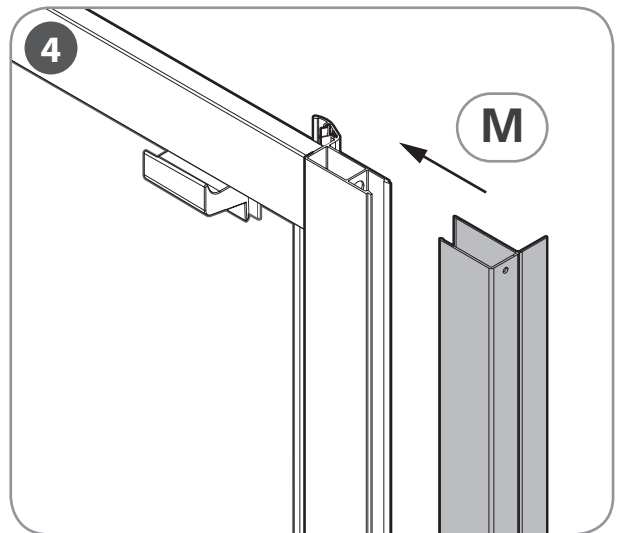
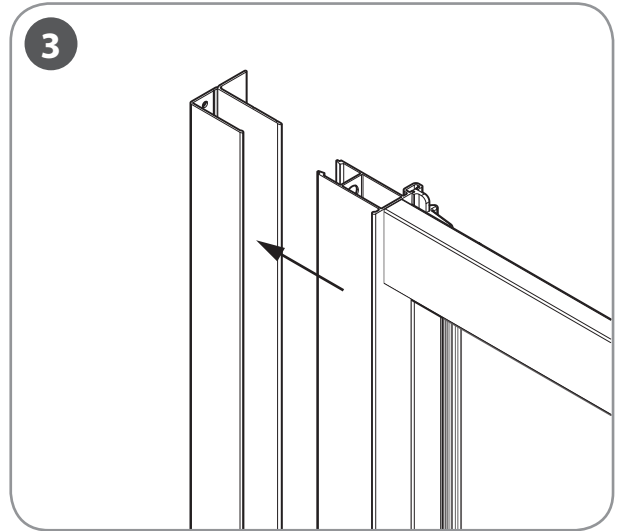
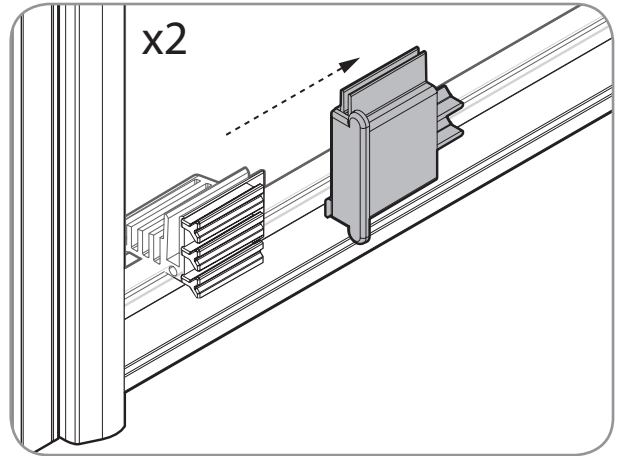
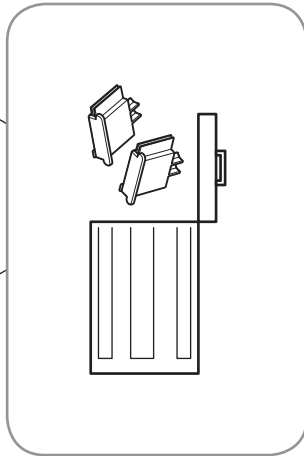
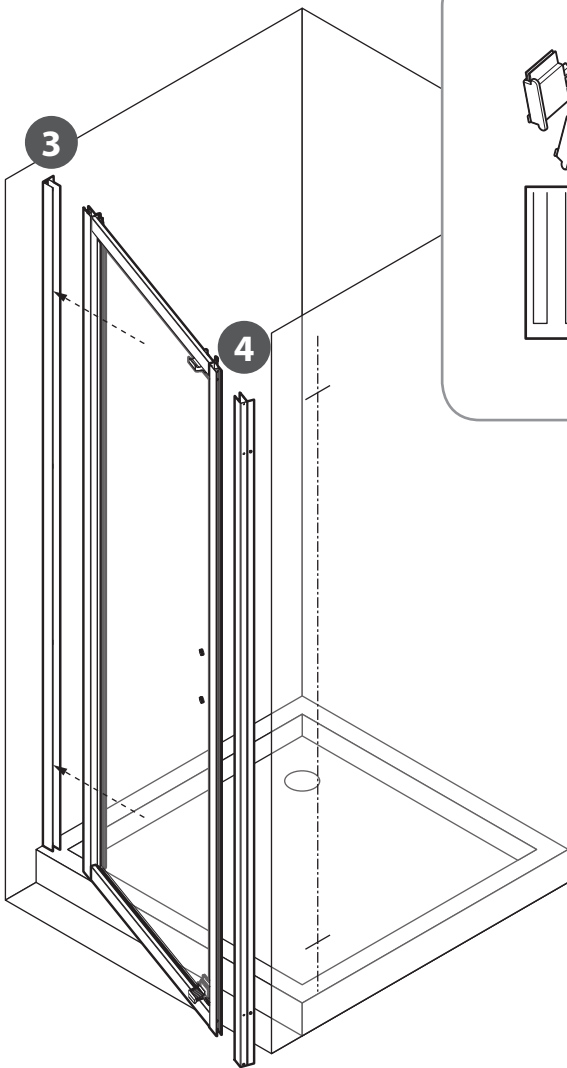
C2

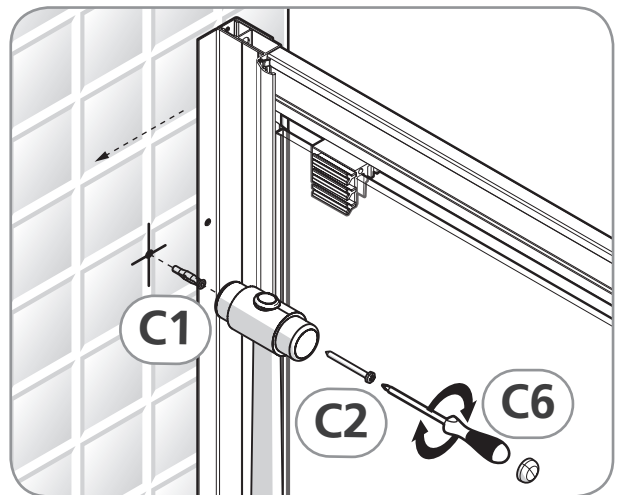
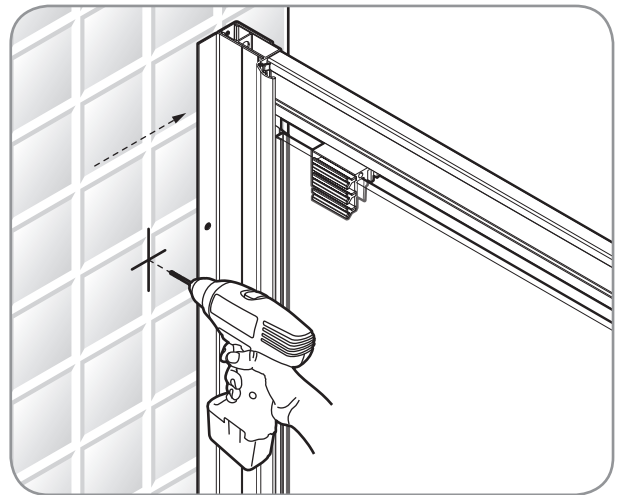
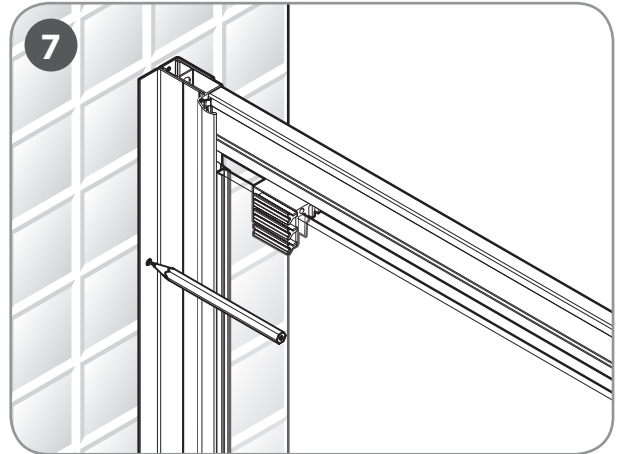
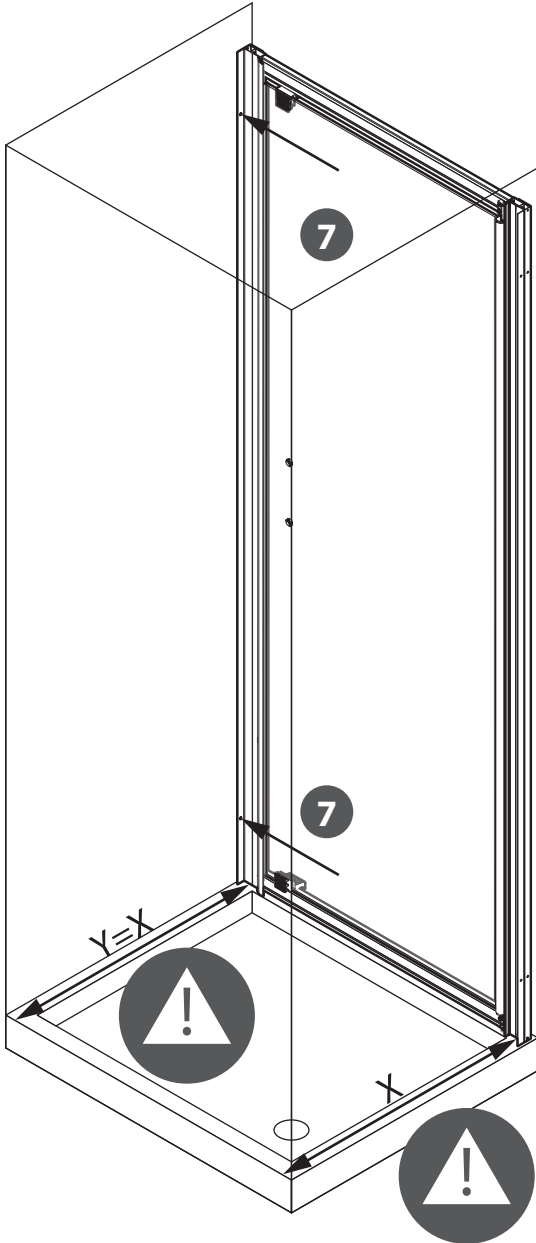
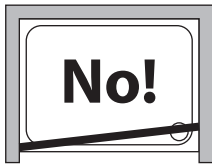


C1



3



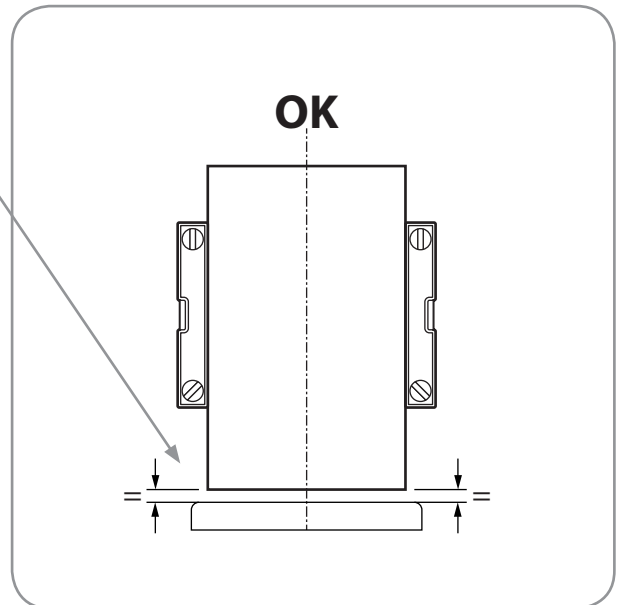
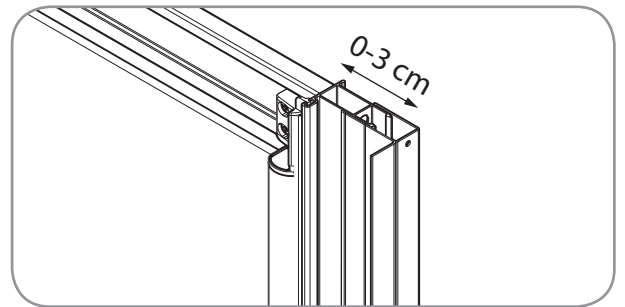
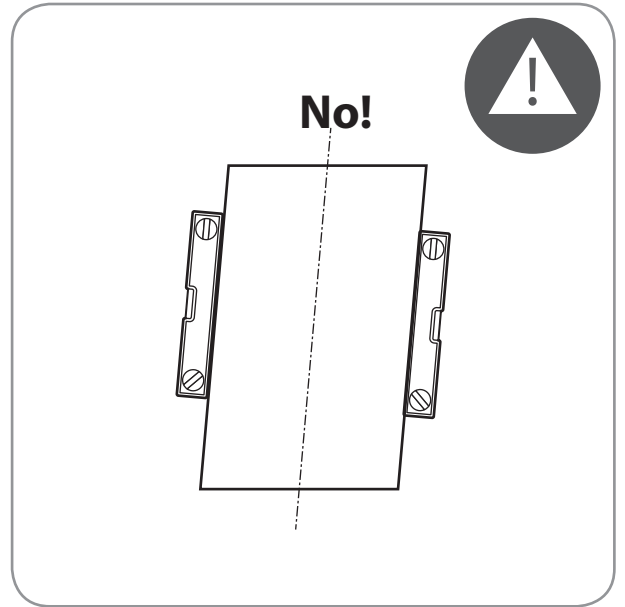
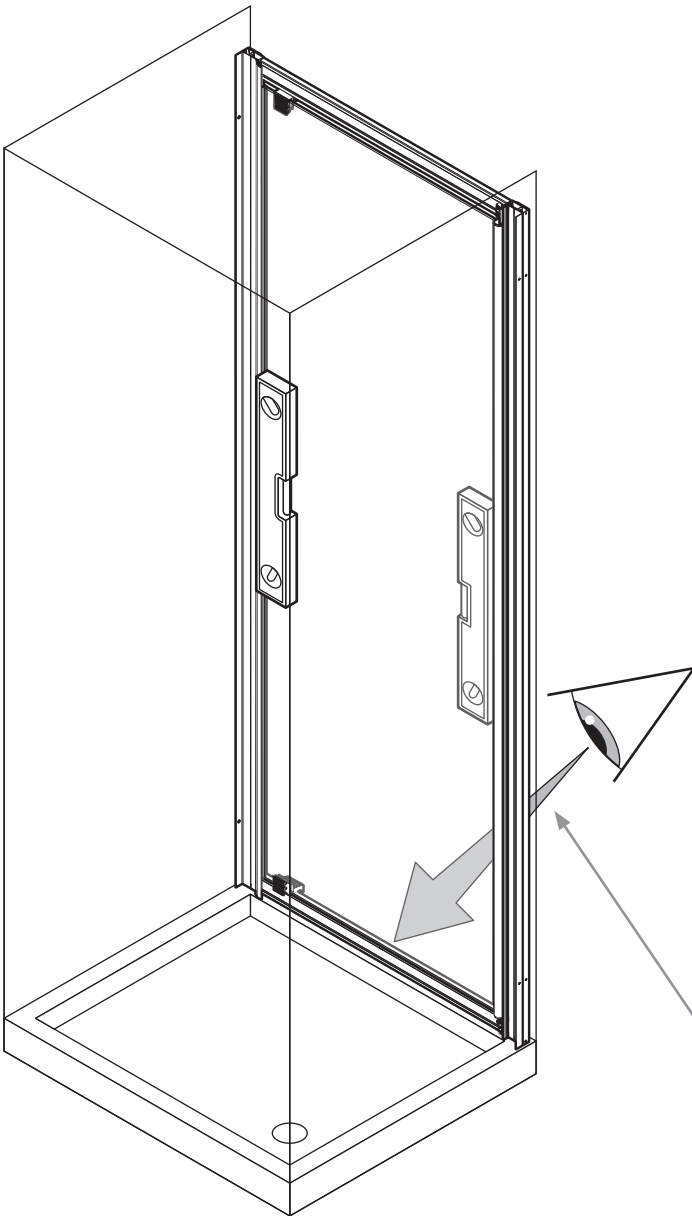


**C2** x2  
4X35 mm

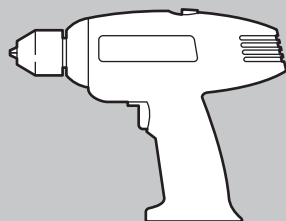
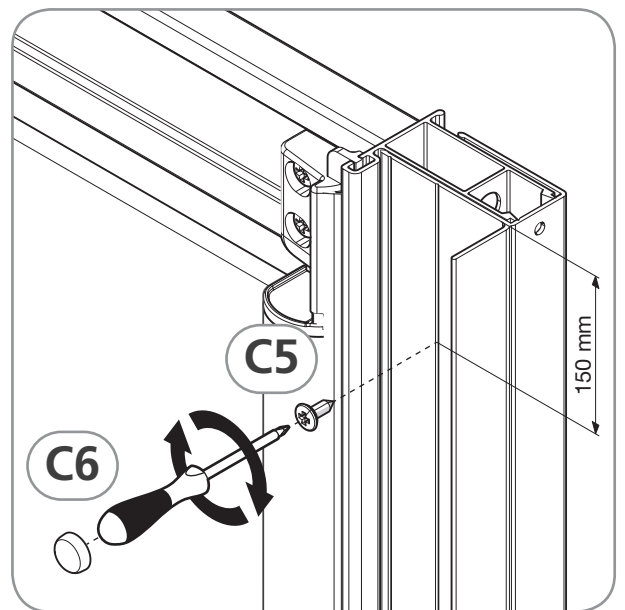
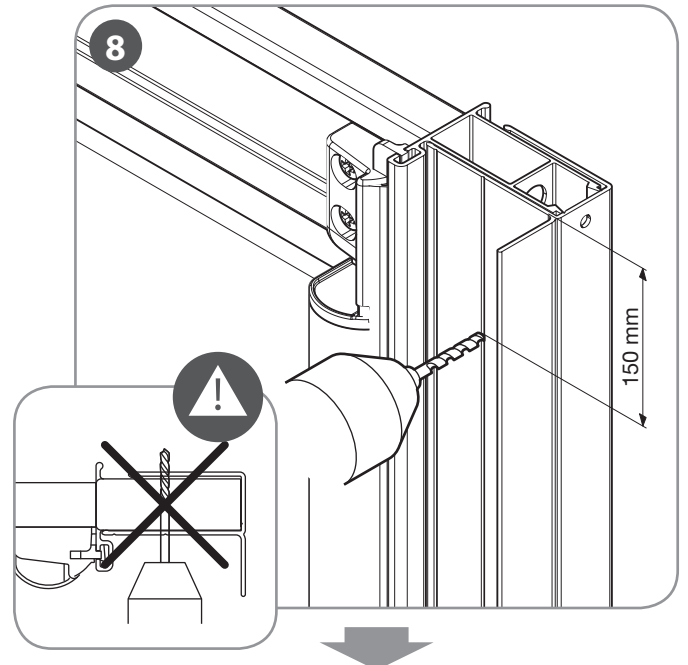
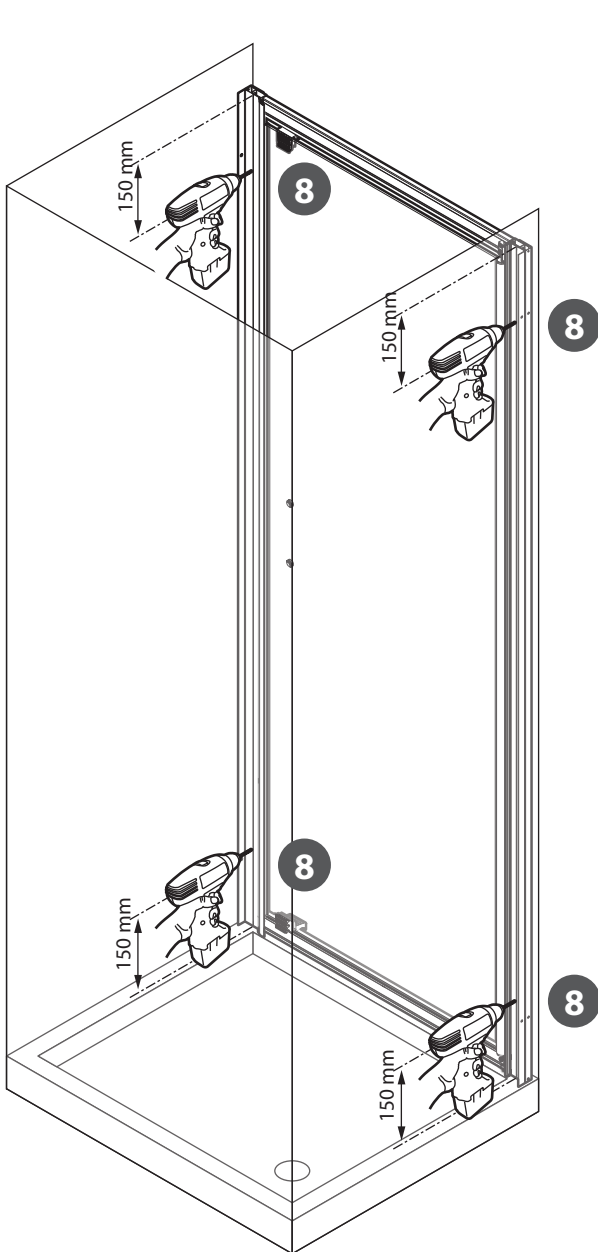
**C1** x2

**C6** x2

5







ø3 mm

C5



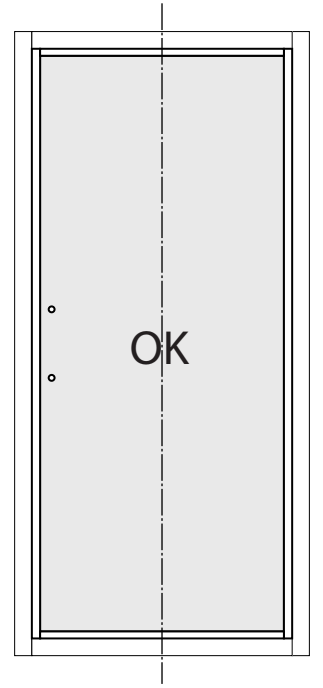
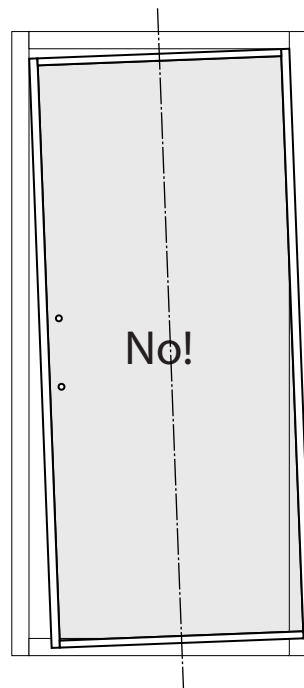
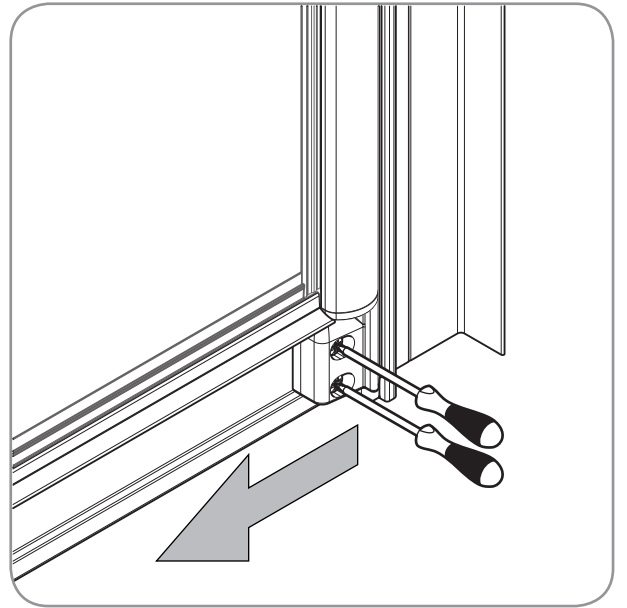
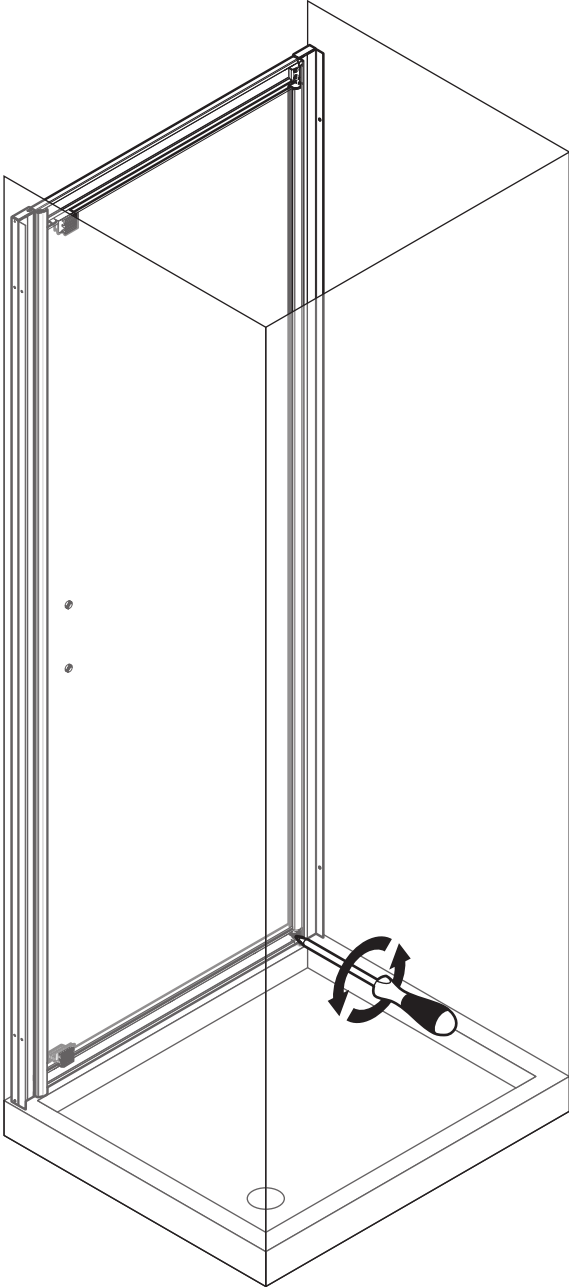
3,5x9,5 mm  
x4

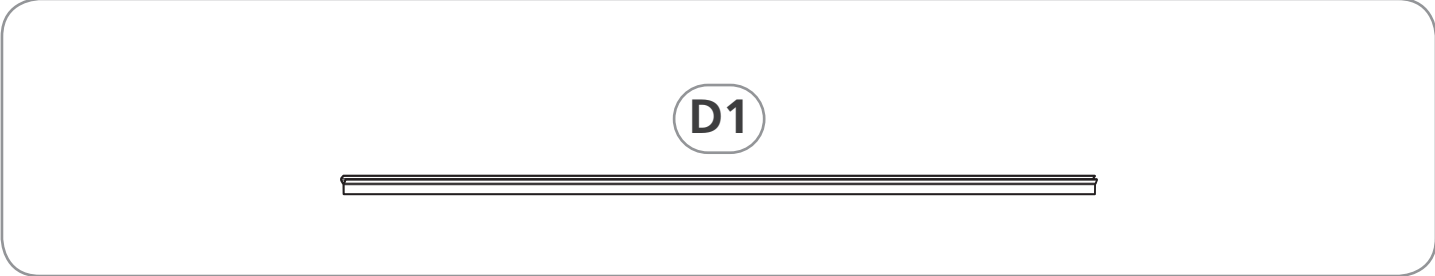
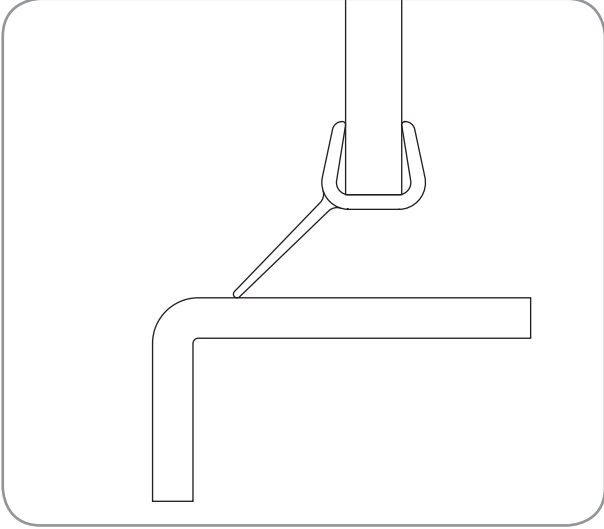
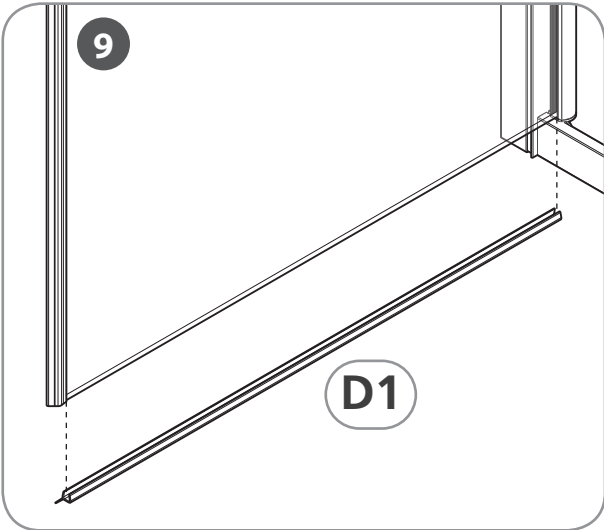
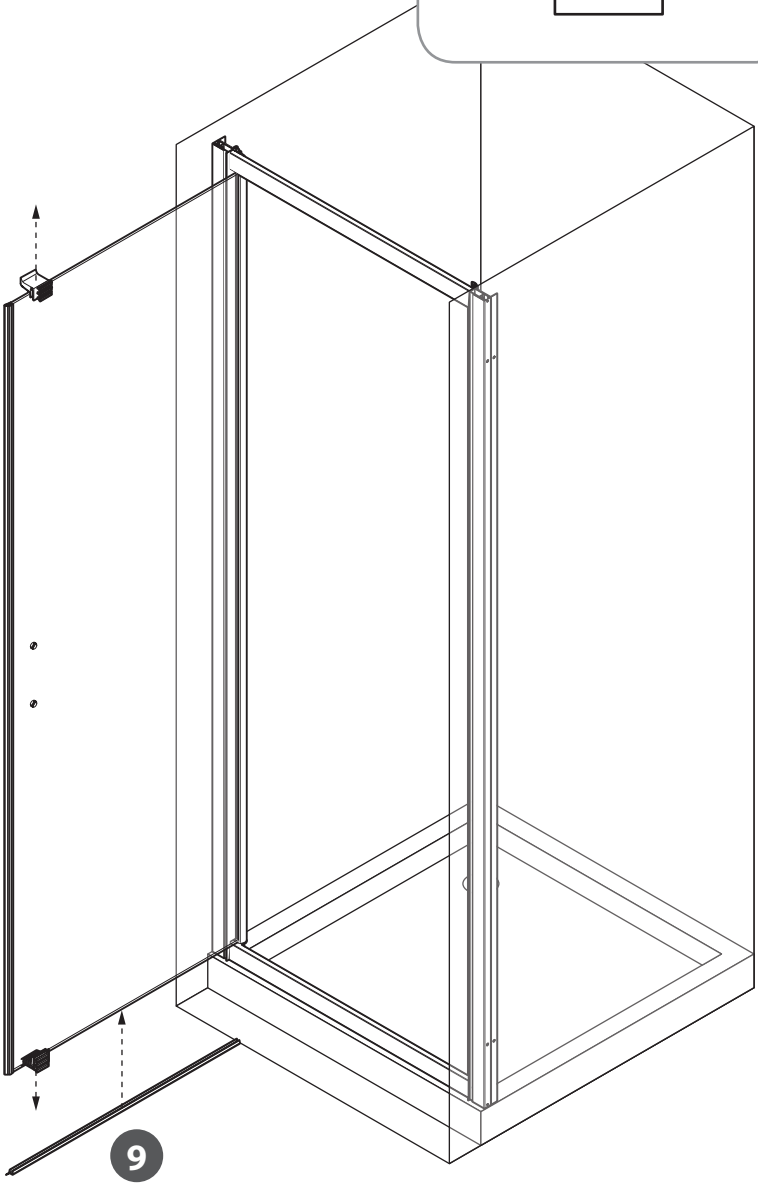
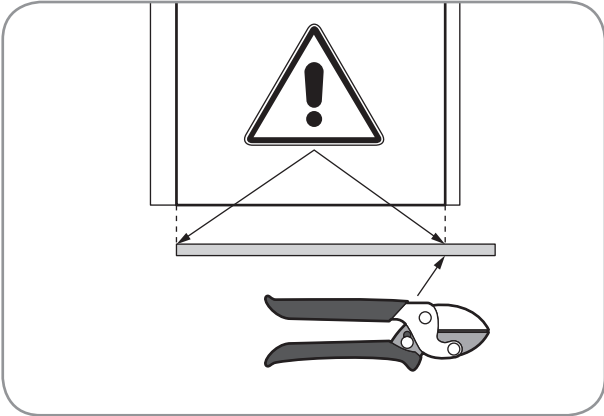
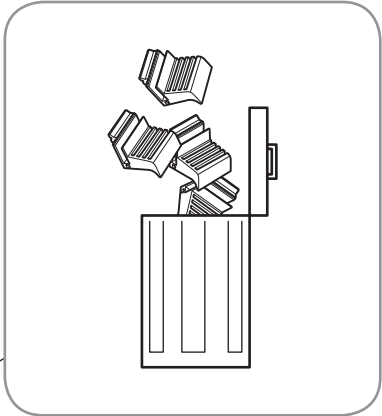
C6

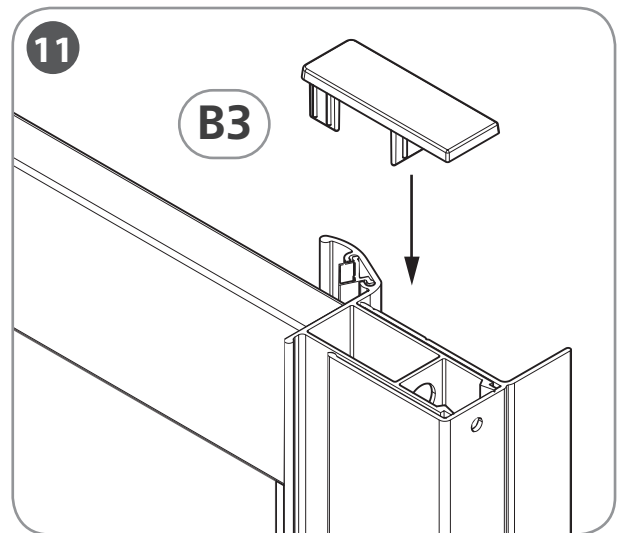
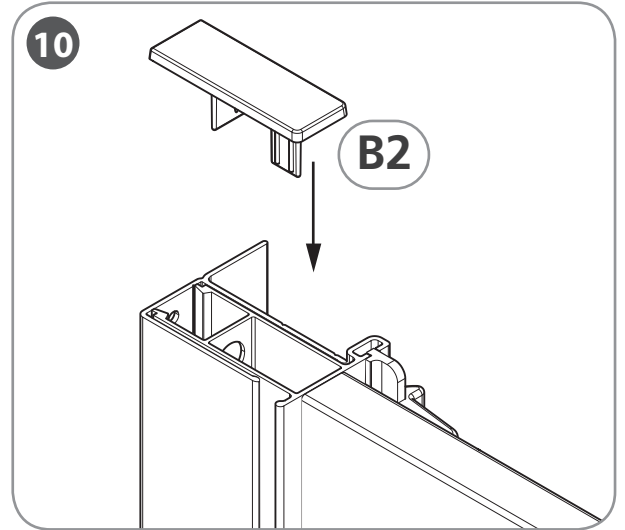
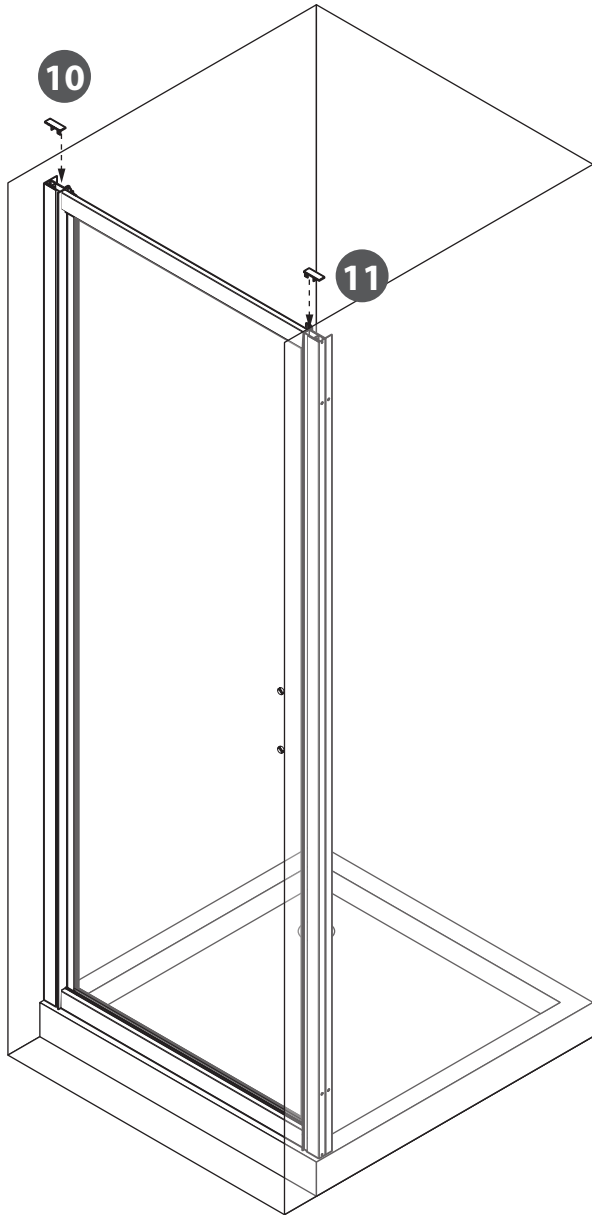


x4

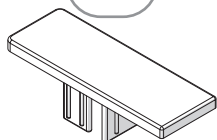
7



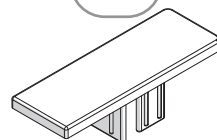


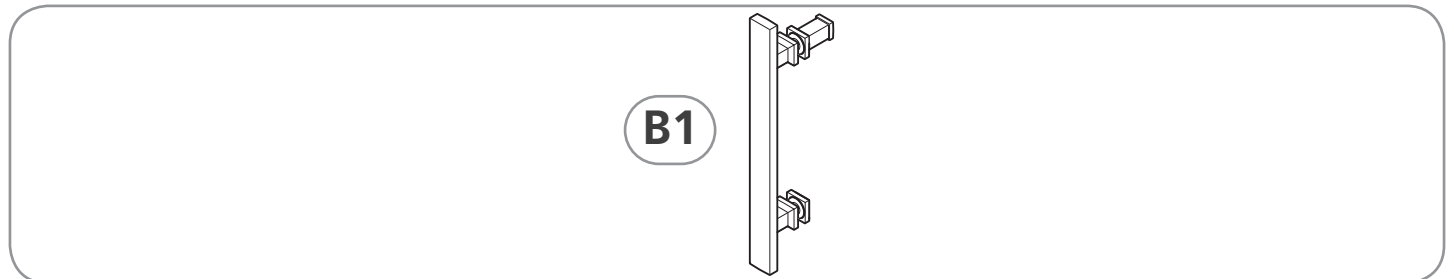
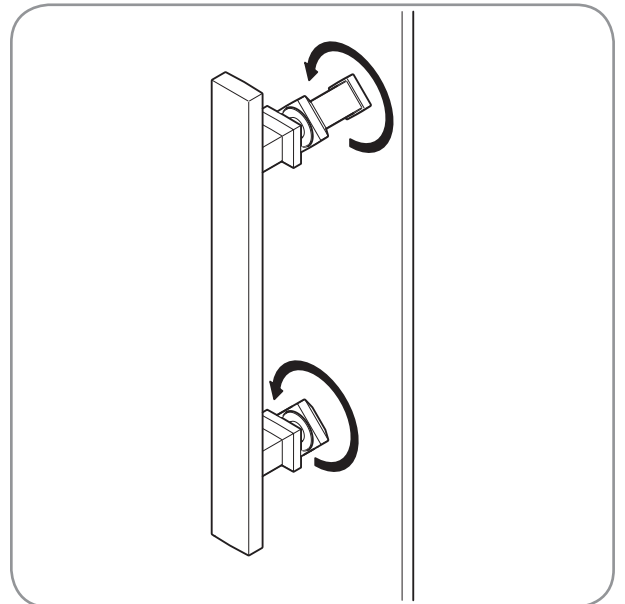
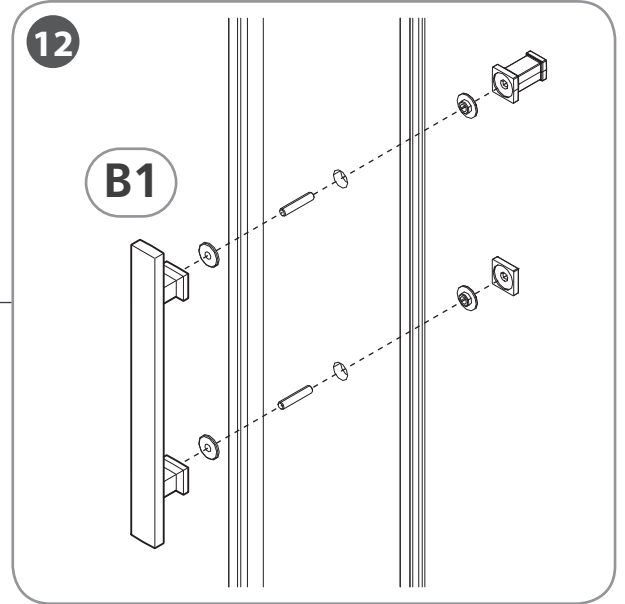
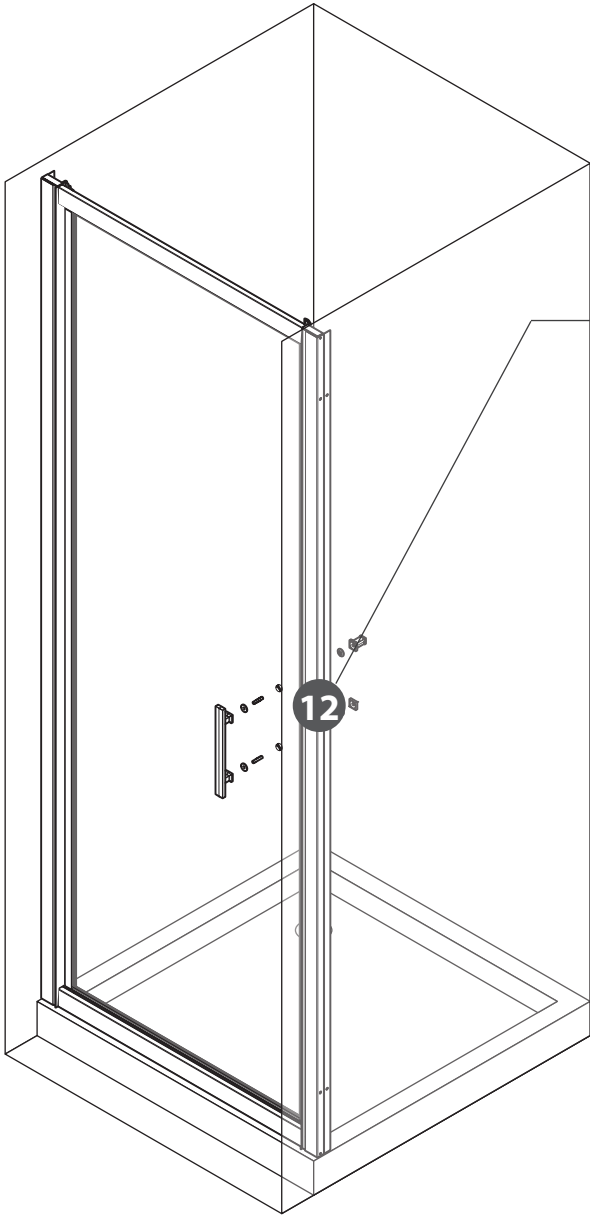


B2



B3





11

