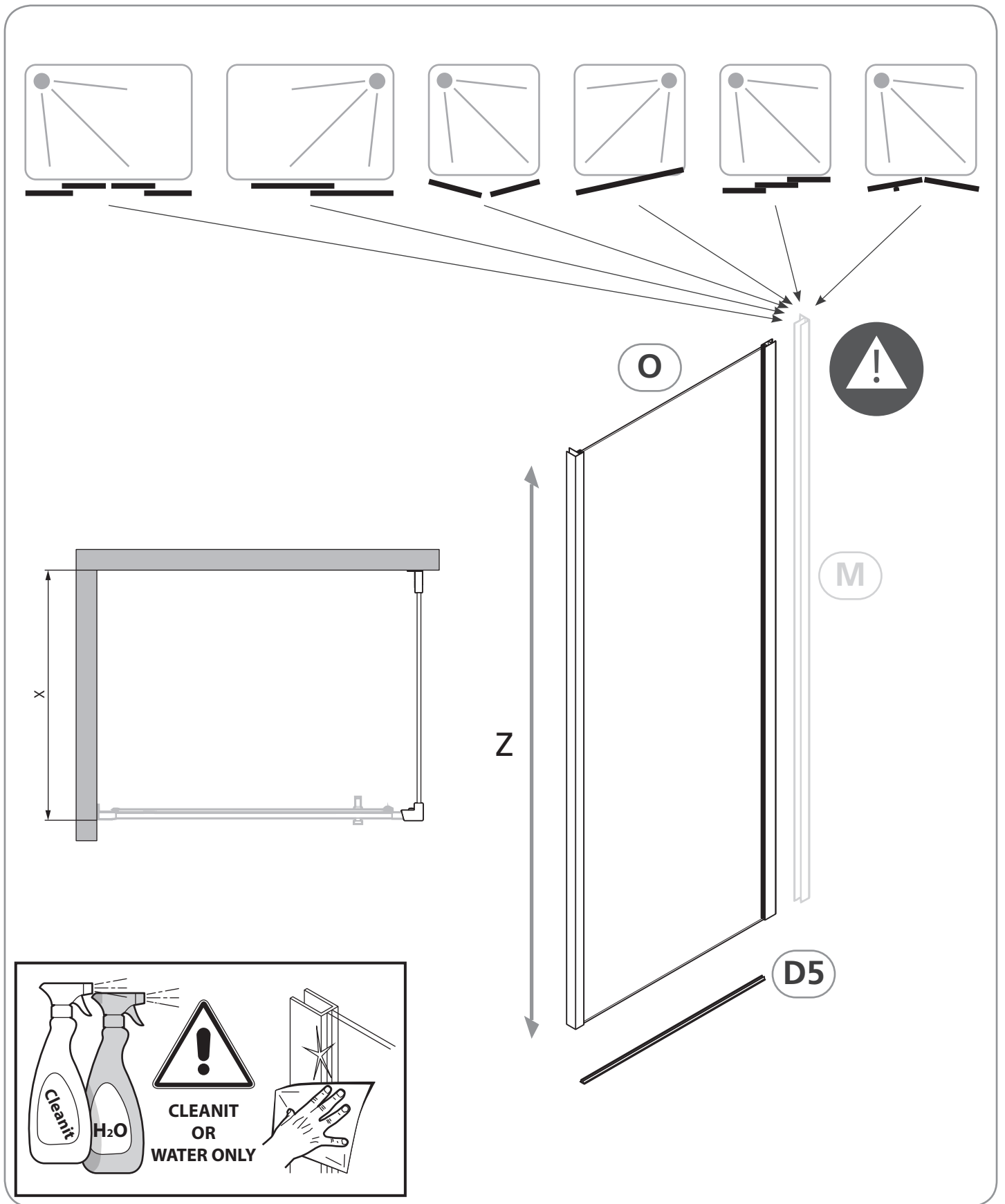
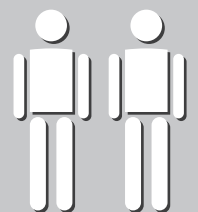
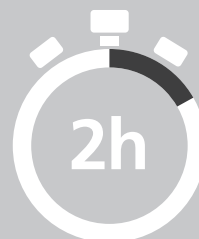
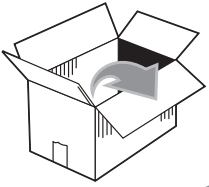


<hr/> <hr/> <hr/> <hr/>	<hr/> <hr/> <hr/> <hr/>
-------------------------	-------------------------

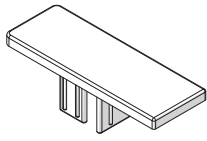


F68	X=68-71 cm	Z=195 cm
F73	X=73-76 cm	Z=195 cm
F76	X=76-79 cm	Z=195 cm
F78	X=78-81 cm	Z=195 cm
F83	X=83-86 cm	Z=195 cm
F88	X=88-91 cm	Z=195 cm
F93	X=93-96 cm	Z=195 cm
F98	X=98-101 cm	Z=195 cm
F118	X=118-121 cm	Z=195 cm

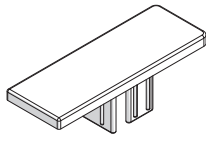




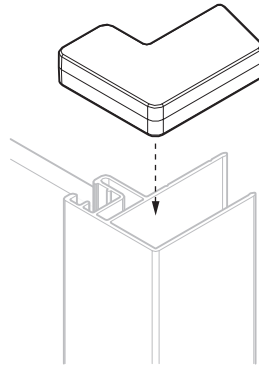
B2



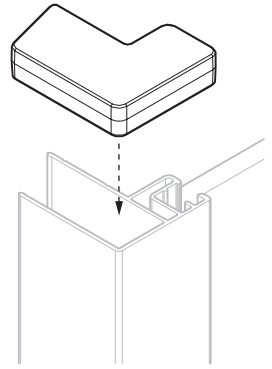
B3



B4



B5



C5



3,5x9,5 mm

x2

C6

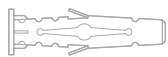


x4

M



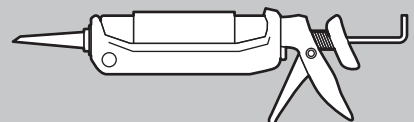
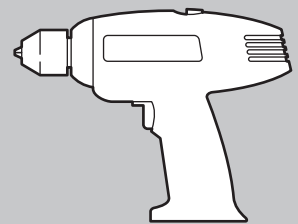
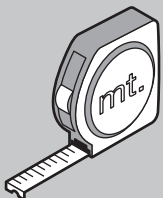
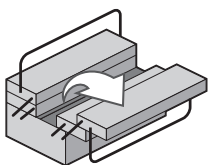
C1 x2



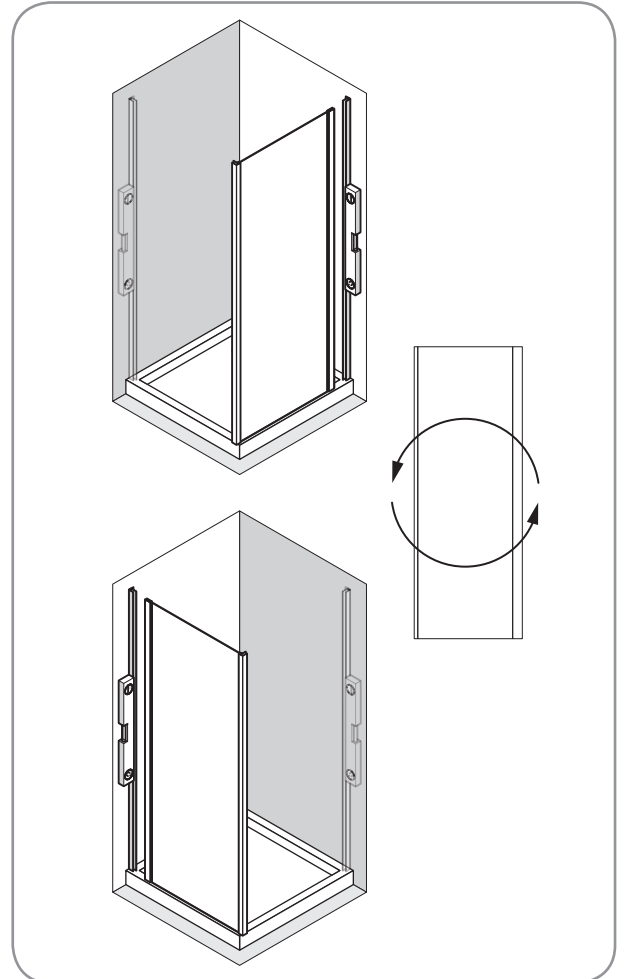
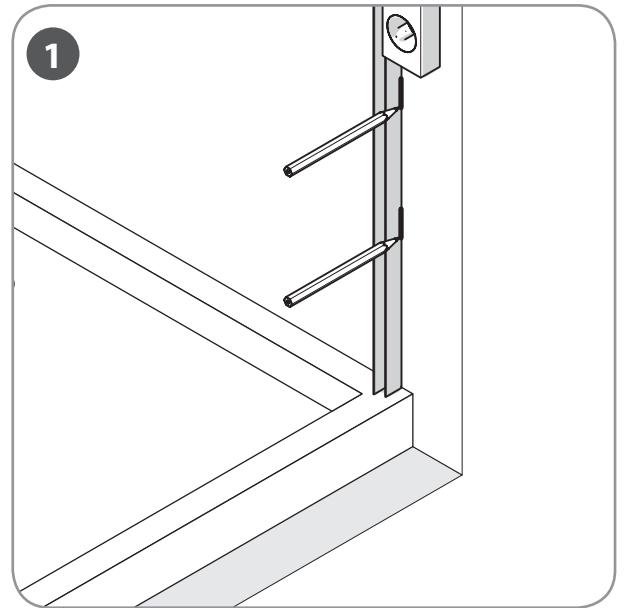
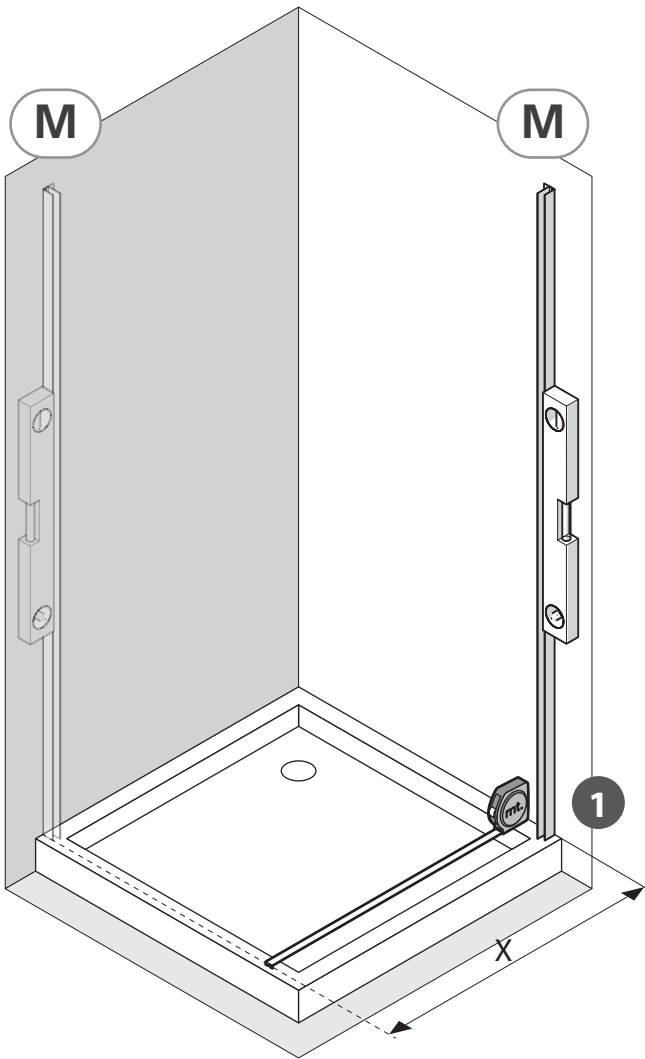
C2 x2



4X35 mm



1



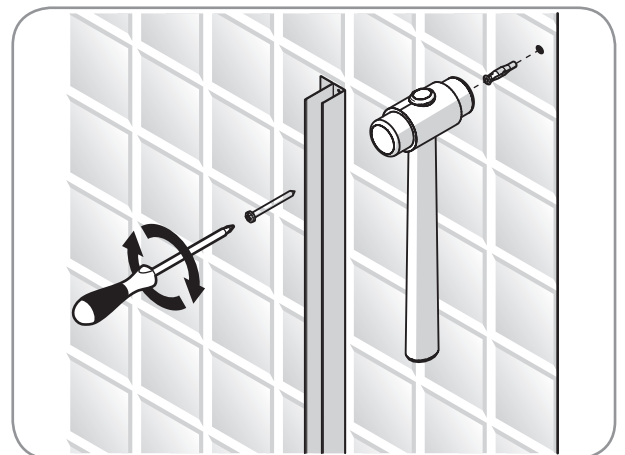
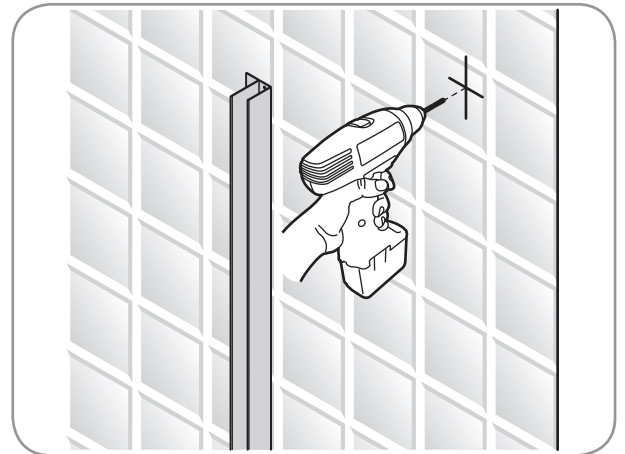
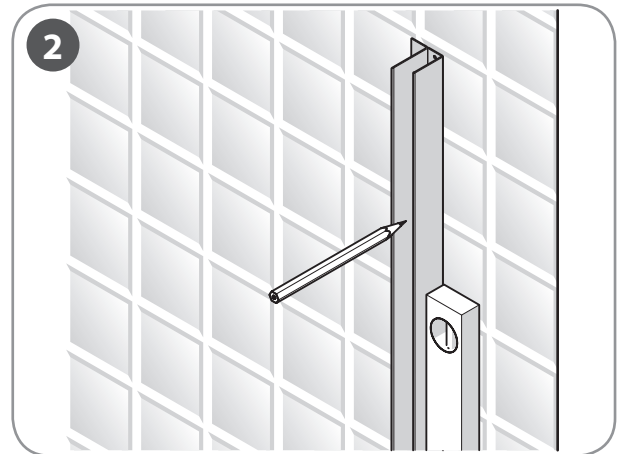
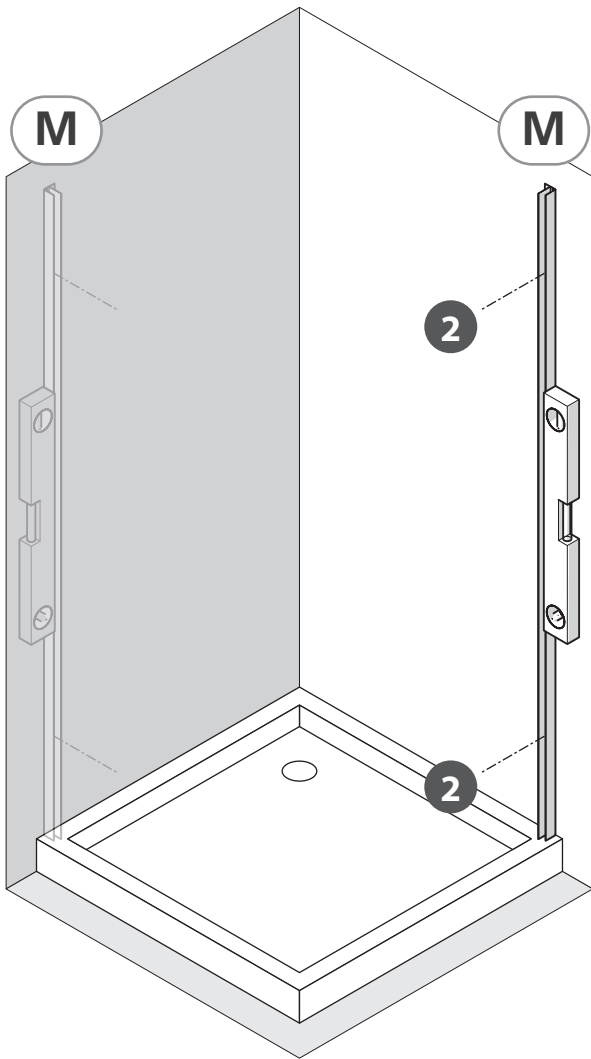
F68	X=68-71 cm
F73	X=73-76 cm
F76	X=76-79 cm
F78	X=78-81 cm
F83	X=83-86 cm
F88	X=88-91 cm
F93	X=93-96 cm
F98	X=98-101 cm
F118	X=118-121 cm



M

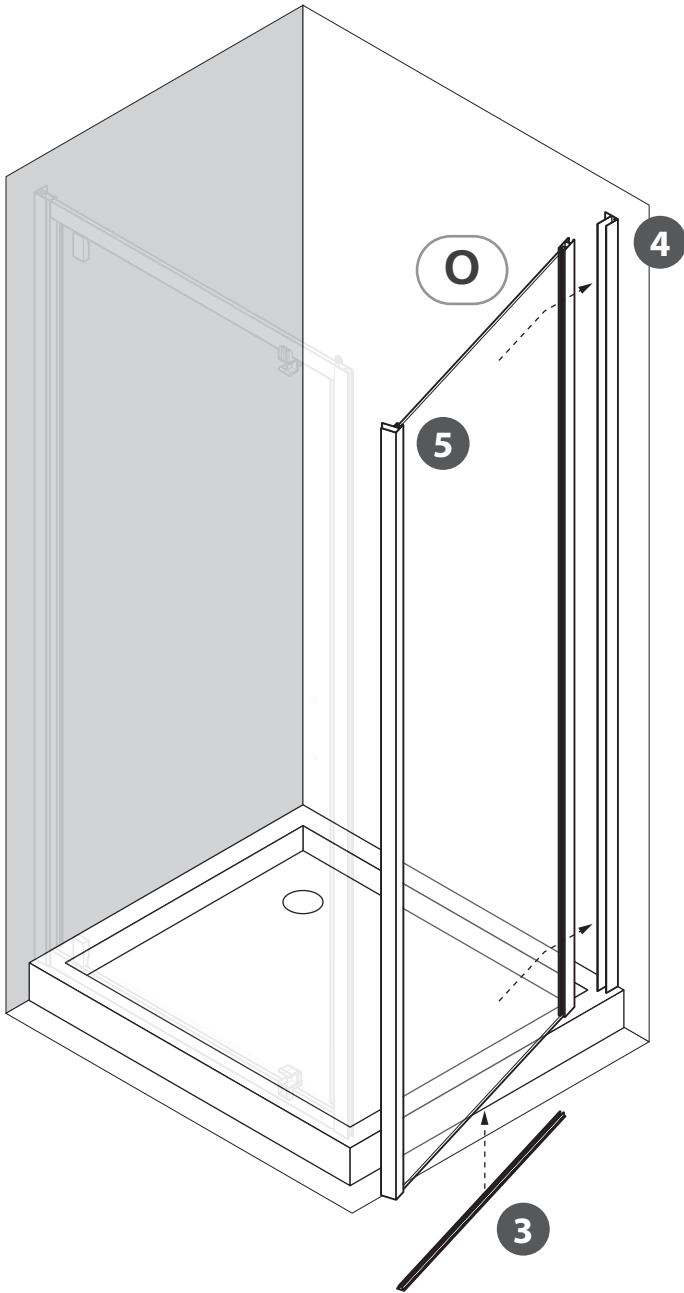
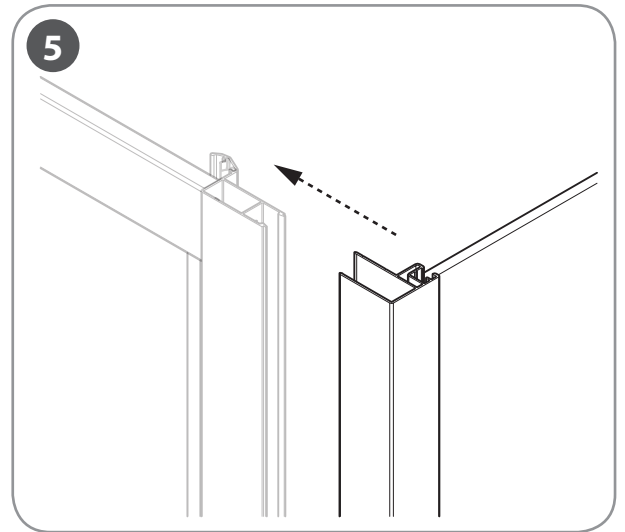
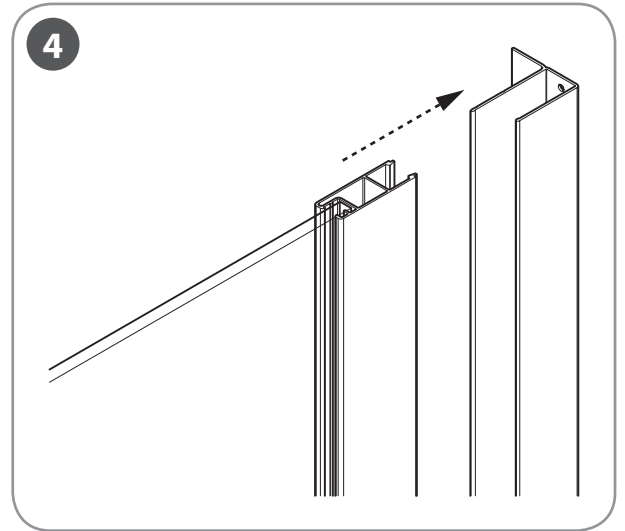
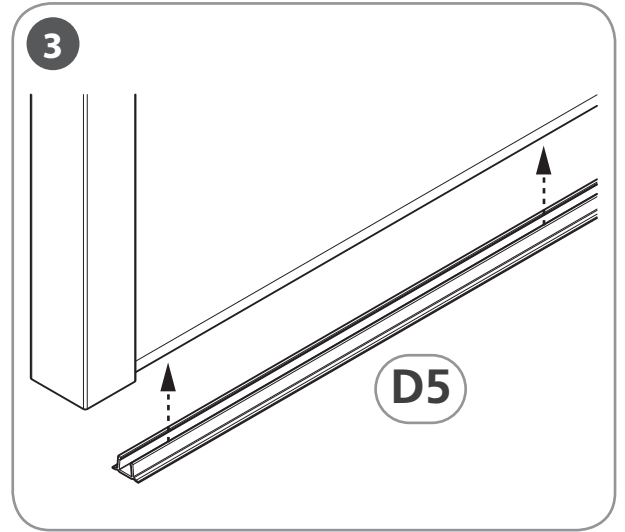
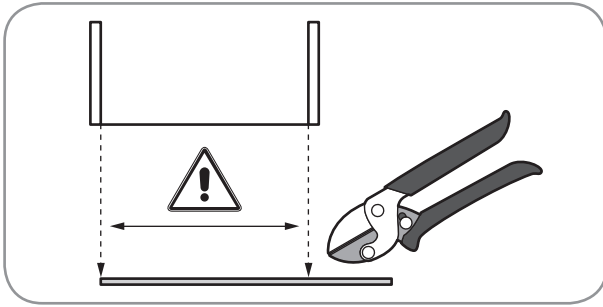


x2



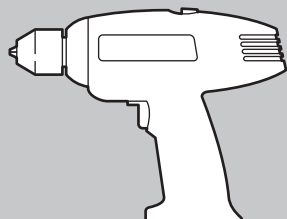
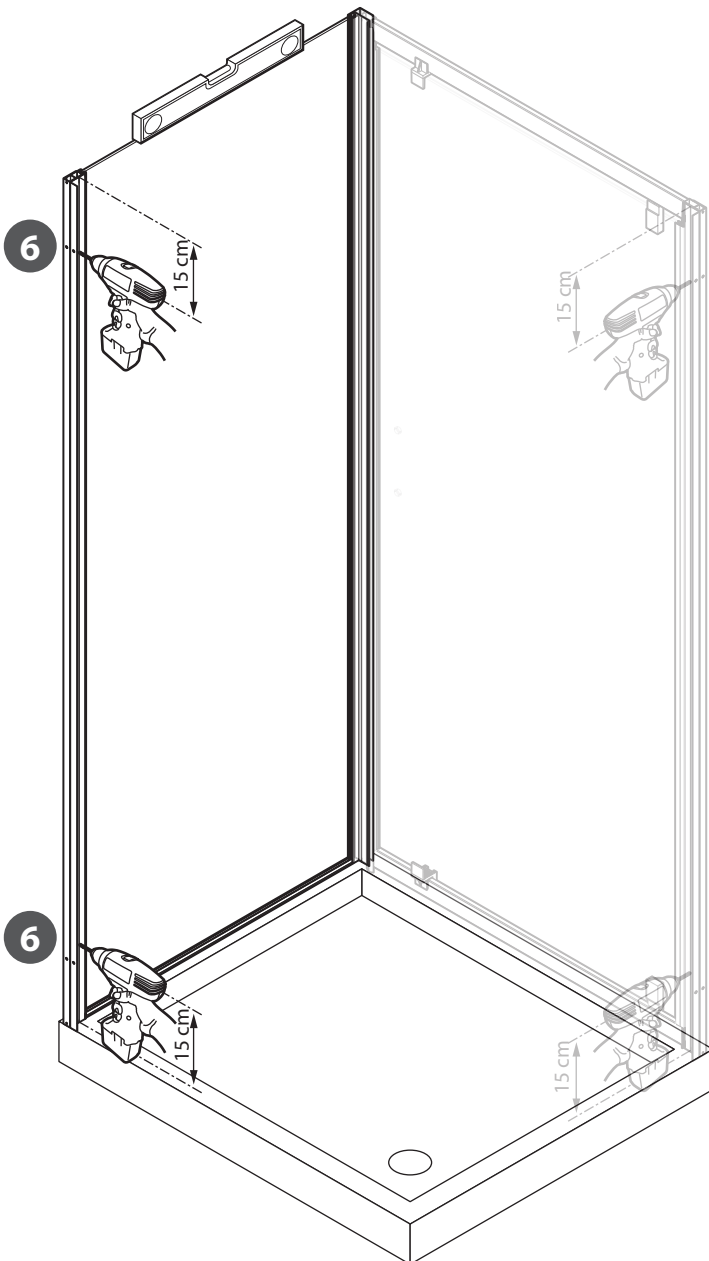
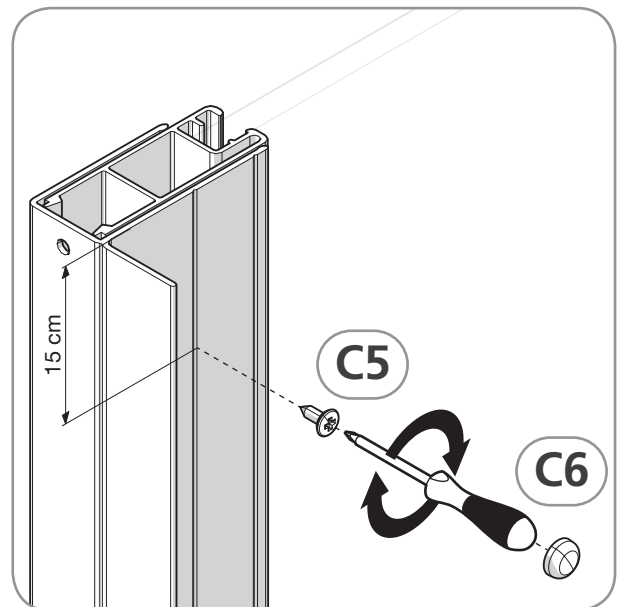
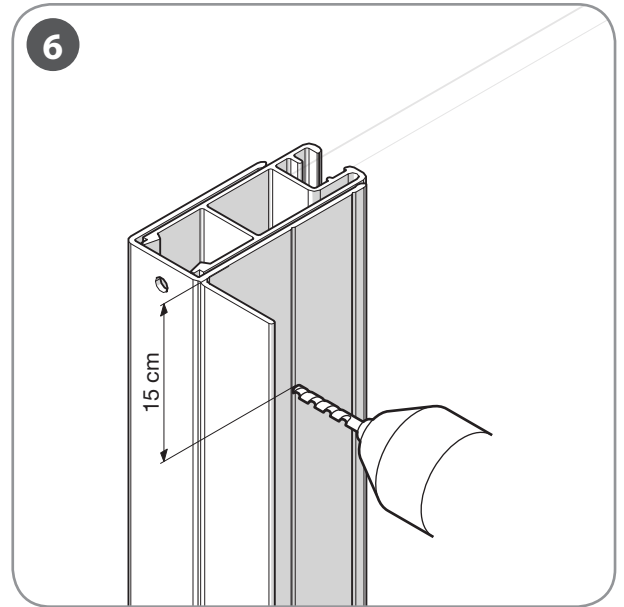
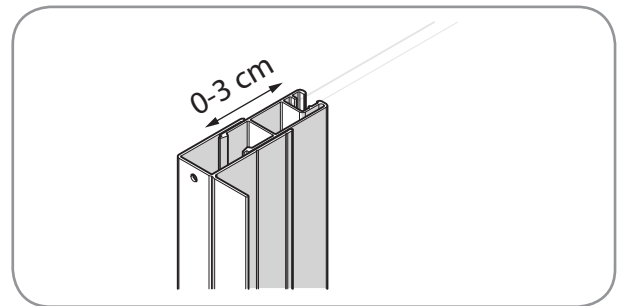
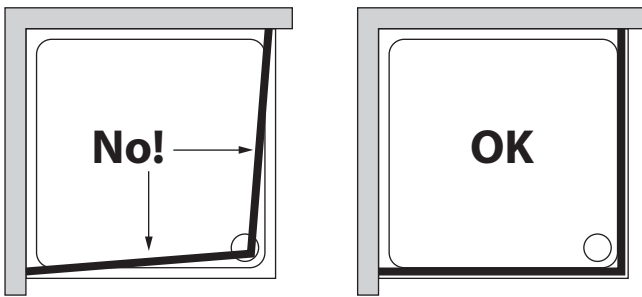
--	--------------	----------

3



D5



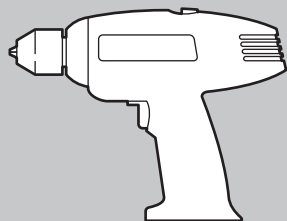
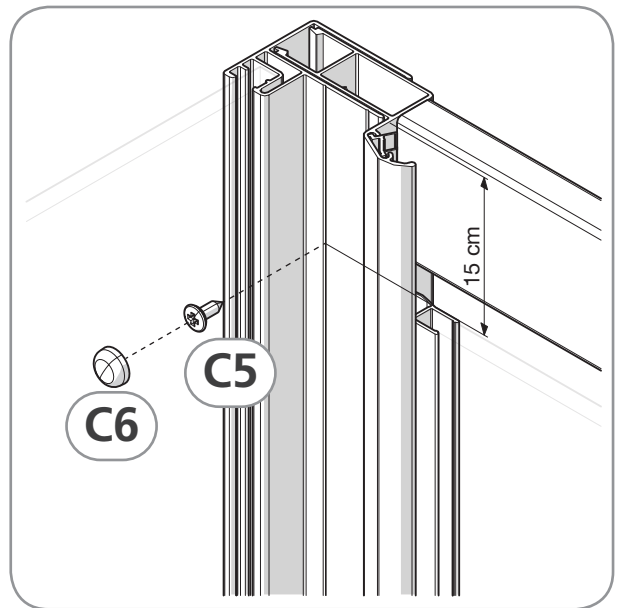
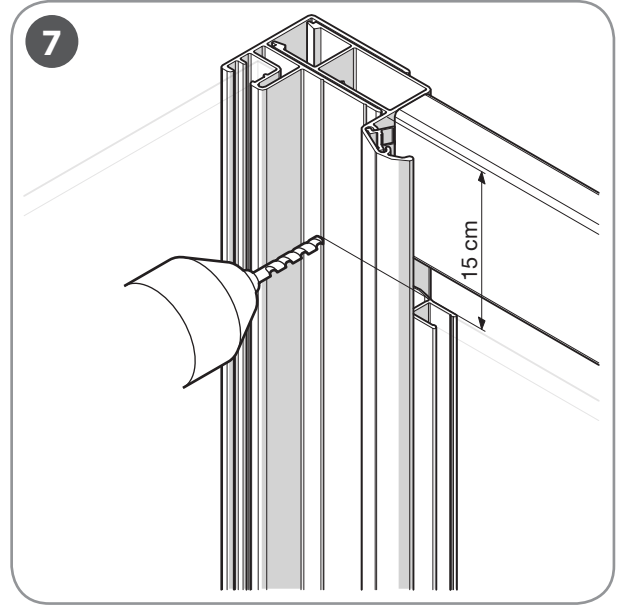
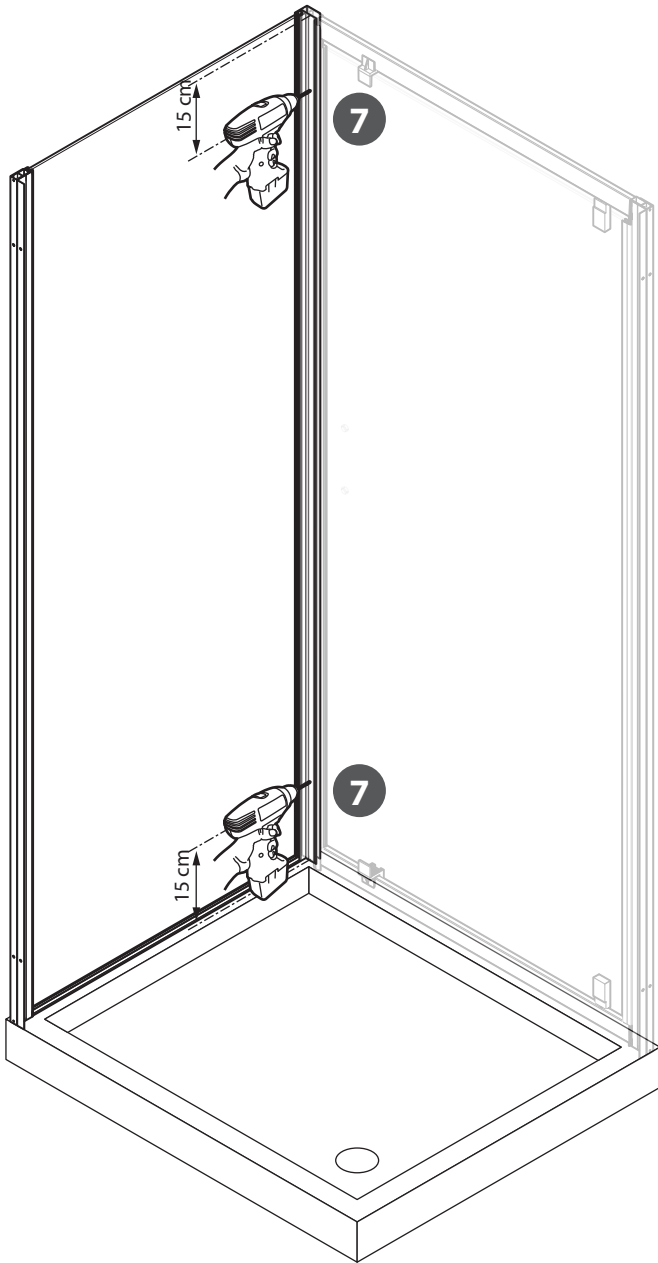


3,5x9,5 mm
x2



x2

5



ø3 mm

C5

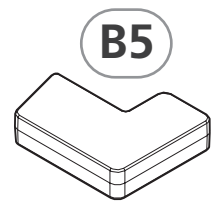
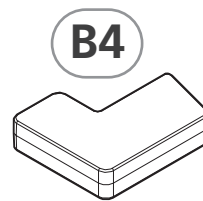
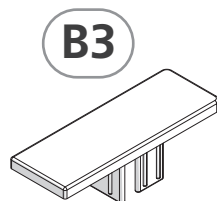
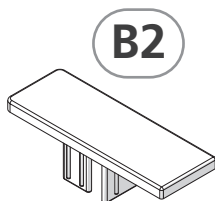
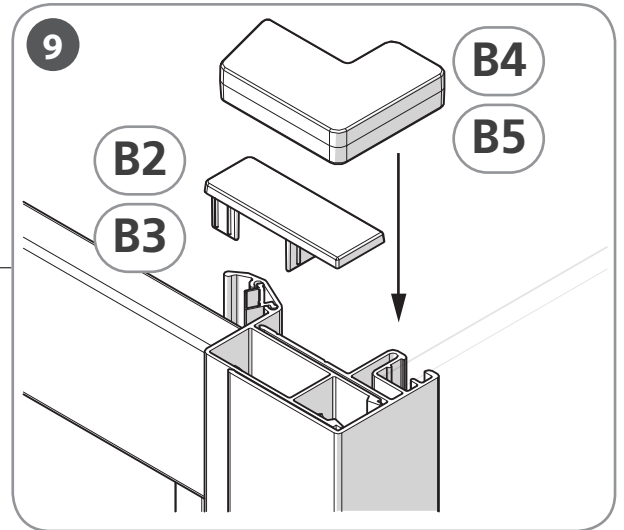
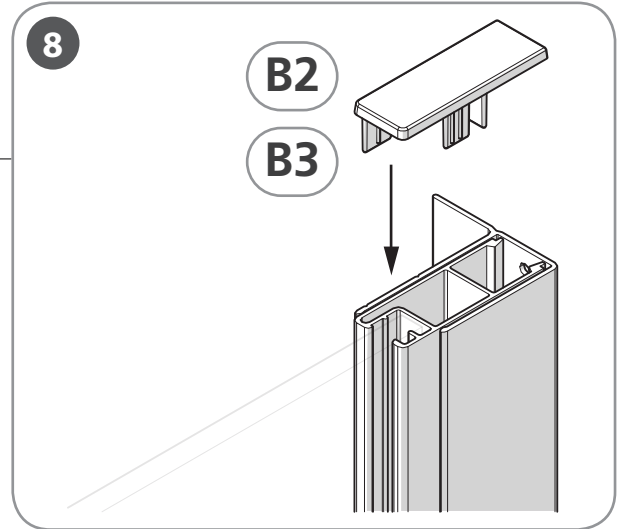
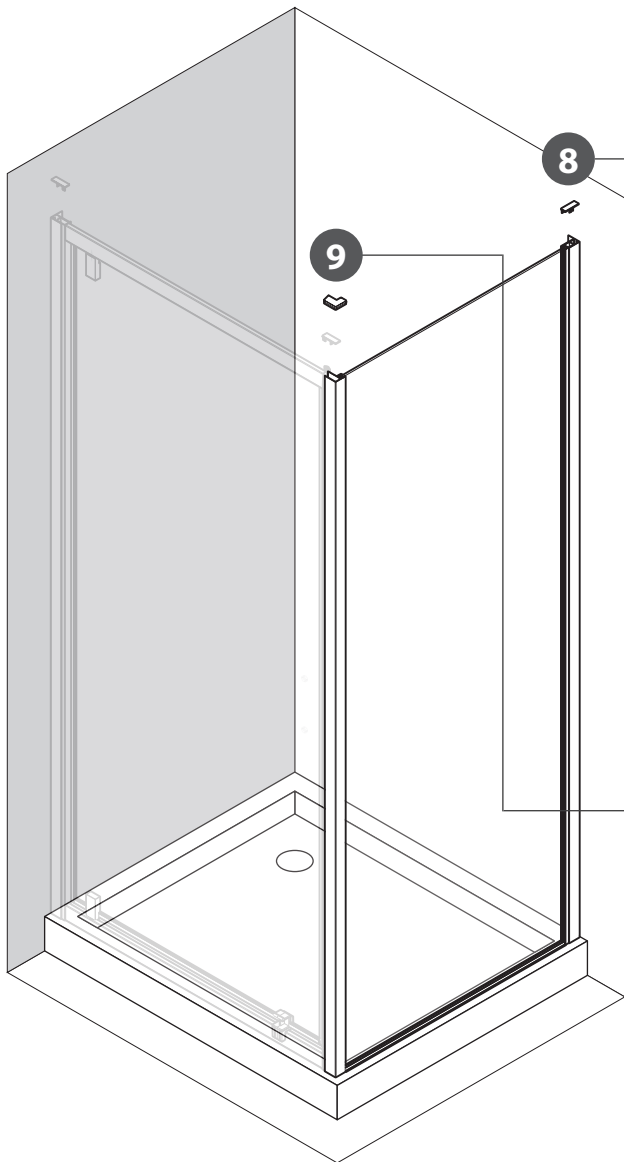


3,5x9,5 mm
x2

C6



x2



7

