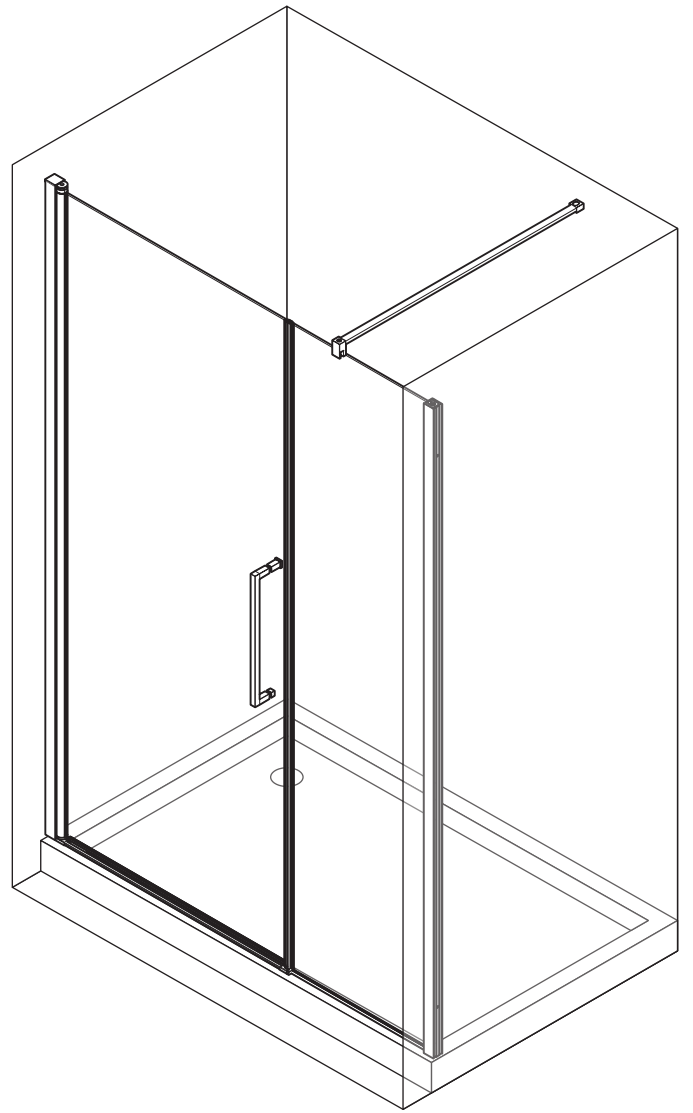
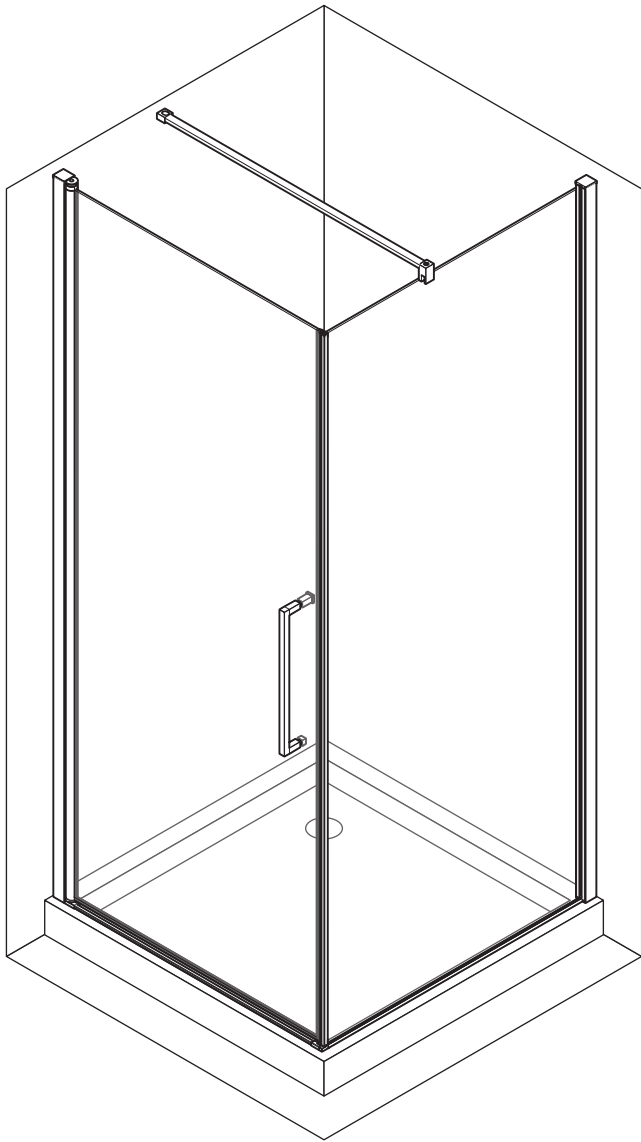
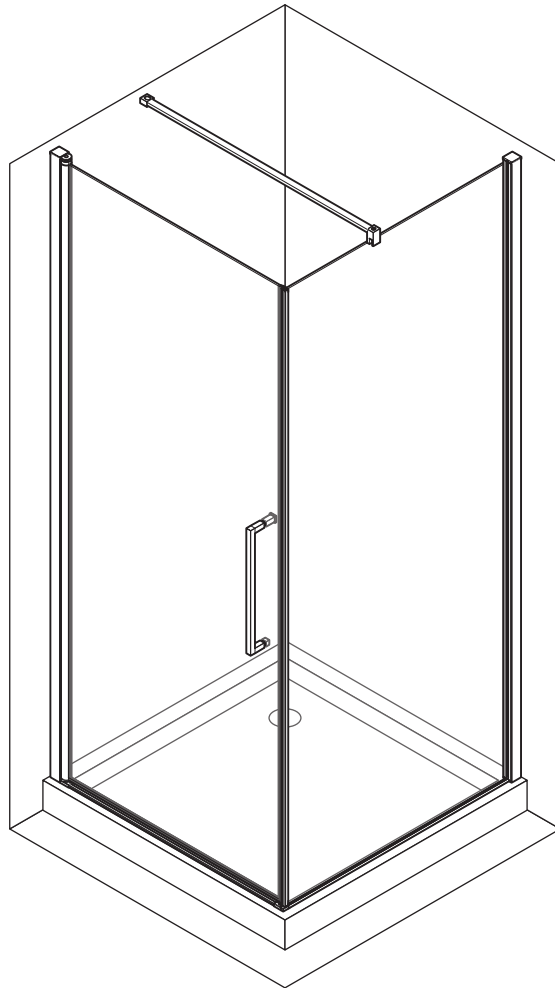


**GF**

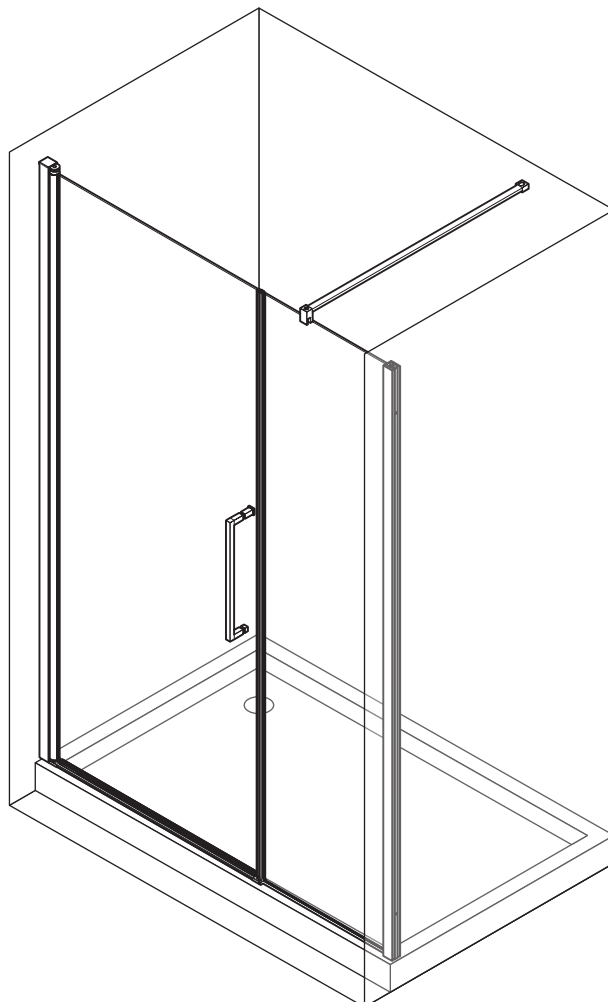


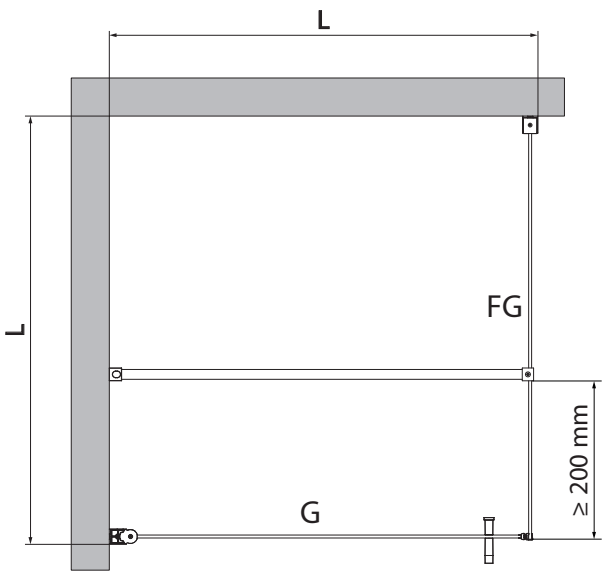
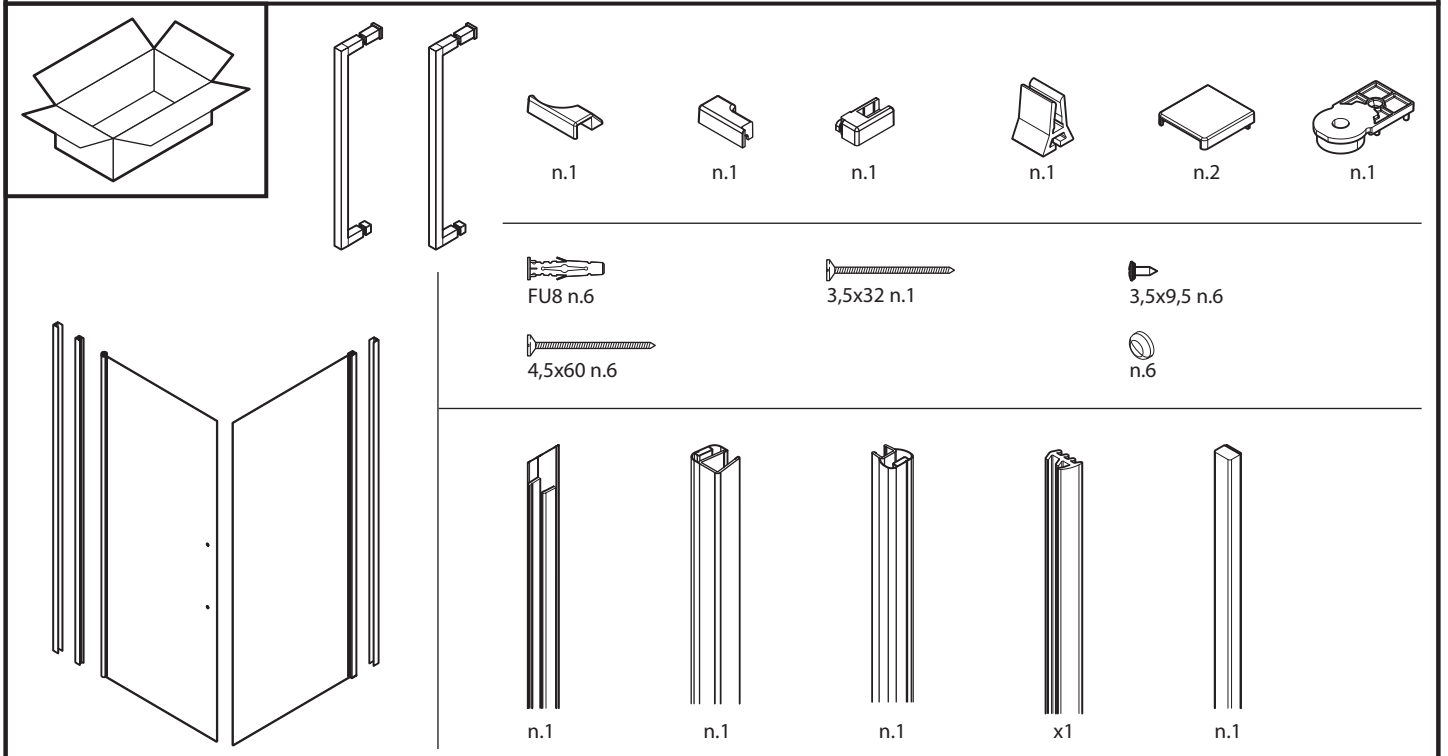
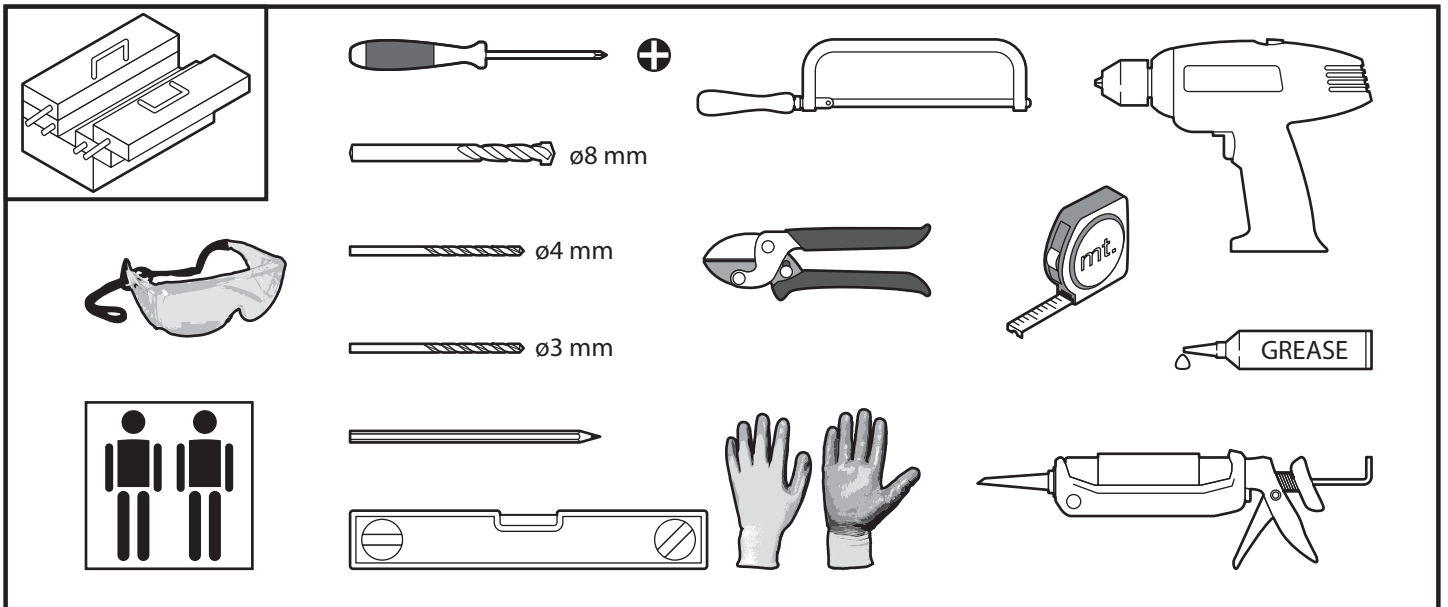
|                         |                         |
|-------------------------|-------------------------|
| <hr/> <hr/> <hr/> <hr/> | <hr/> <hr/> <hr/> <hr/> |
|-------------------------|-------------------------|

**GF** pag. 3



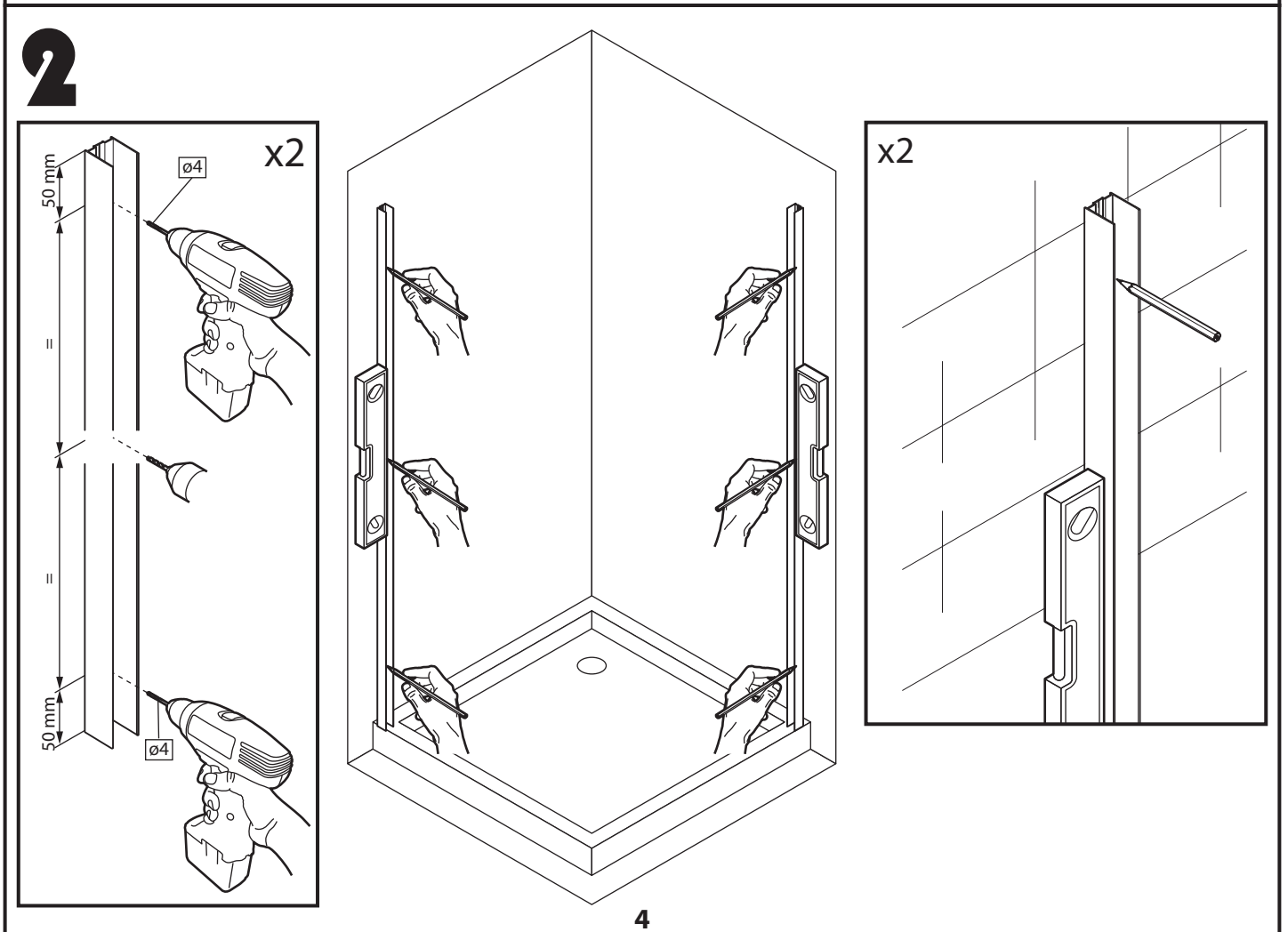
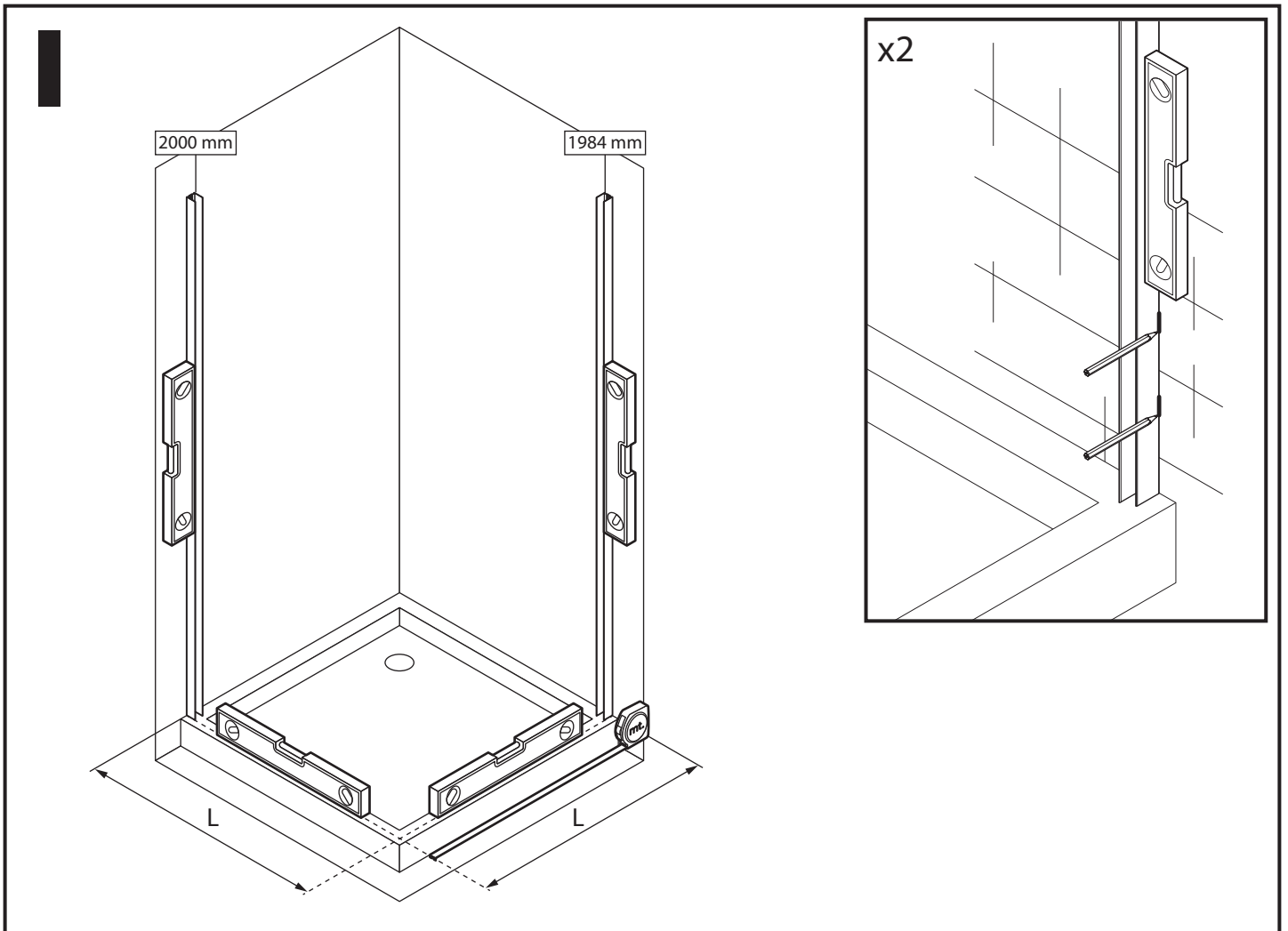
**G+FL** pag. 14





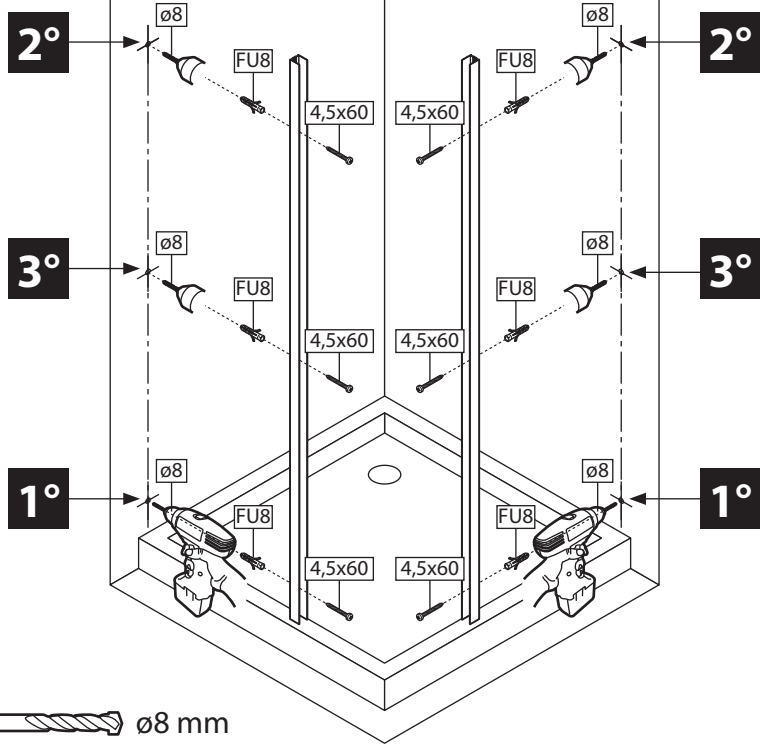
|       |              |
|-------|--------------|
| FG57  | L=57-59 cm   |
| FG59  | L=59-61 cm   |
| FG61  | L=61-63 cm   |
| FG65  | L=65-67 cm   |
| FG67  | L=67-69 cm   |
| FG69  | L=69-71 cm   |
| FG73  | L=73-75 cm   |
| FG75  | L=75-77 cm   |
| FG77  | L=77-79 cm   |
| FG79  | L=79-81 cm   |
| FG85  | L=85-87 cm   |
| FG87  | L=87-89 cm   |
| FG89  | L=89-91 cm   |
| FG95  | L=95-97 cm   |
| FG97  | L=97-99 cm   |
| FG99  | L=99-101 cm  |
| FG117 | L=117-119 cm |
| FG119 | L=119-121 cm |

|     |             |
|-----|-------------|
| G57 | L=57-59 cm  |
| G59 | L=59-61 cm  |
| G61 | L=61-63 cm  |
| G65 | L=65-67 cm  |
| G67 | L=67-69 cm  |
| G69 | L=69-71 cm  |
| G72 | L=72-74 cm  |
| G74 | L=74-76 cm  |
| G77 | L=77-79 cm  |
| G79 | L=79-81 cm  |
| G85 | L=85-87 cm  |
| G87 | L=87-89 cm  |
| G89 | L=89-91 cm  |
| G95 | L=95-97 cm  |
| G97 | L=97-99 cm  |
| G99 | L=99-101 cm |

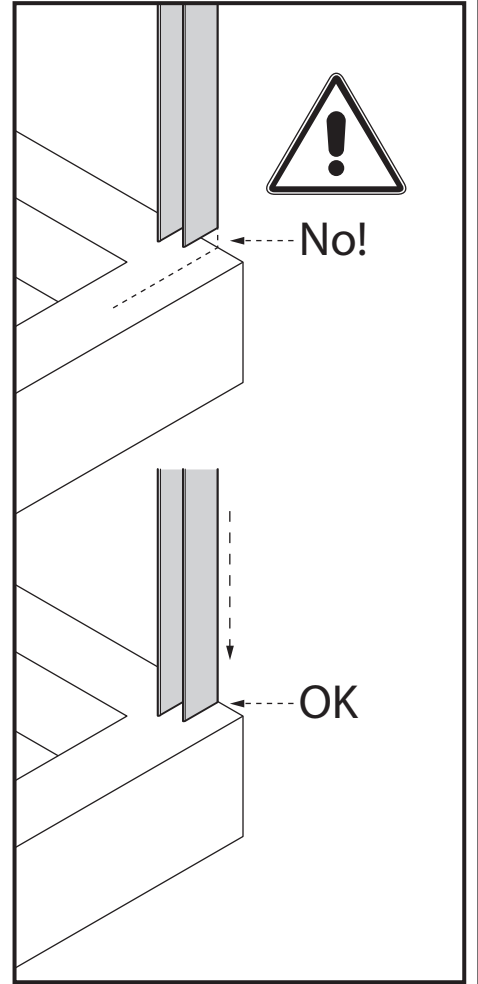




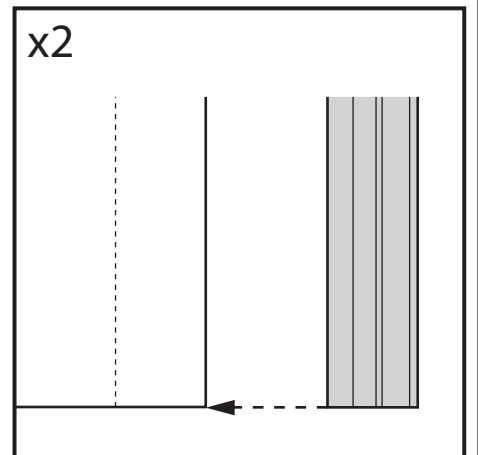
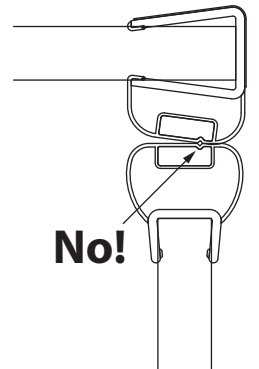
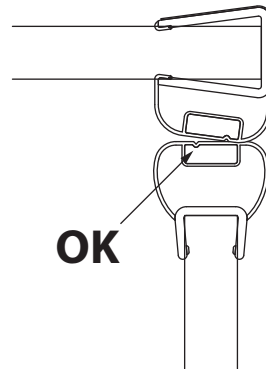
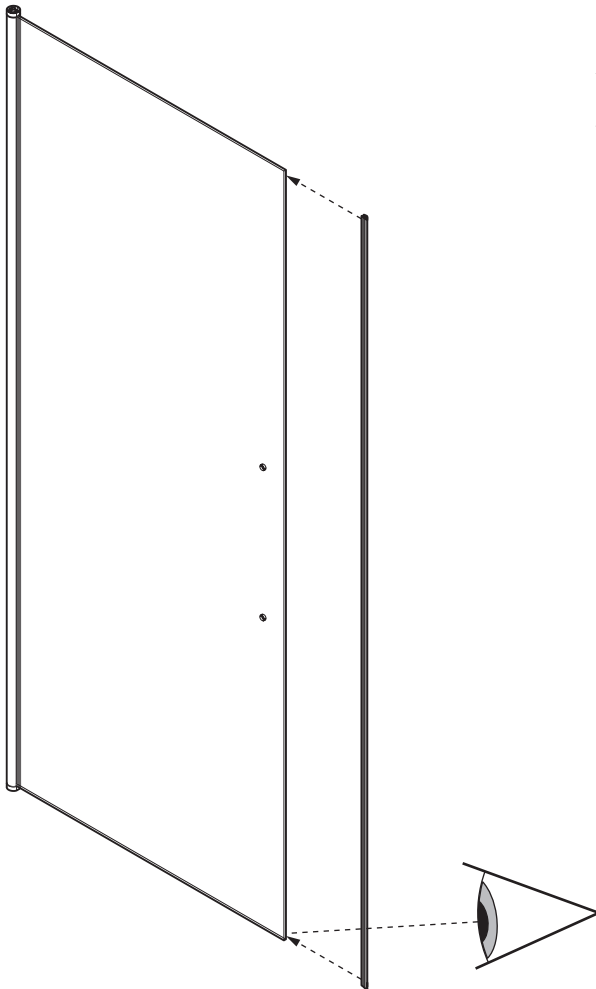
# 3



$\varnothing 8$  mm

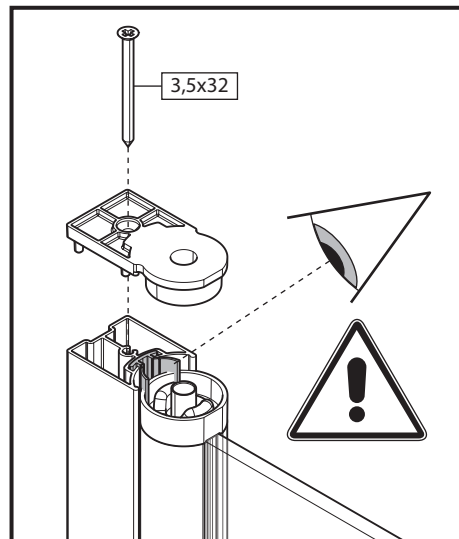
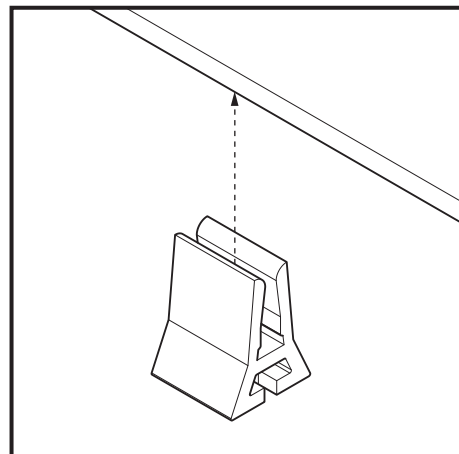
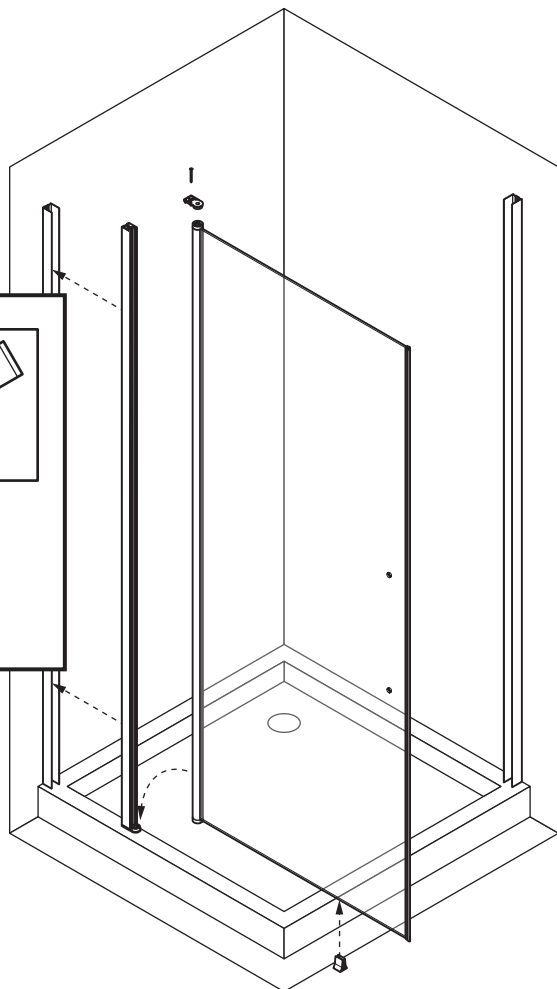
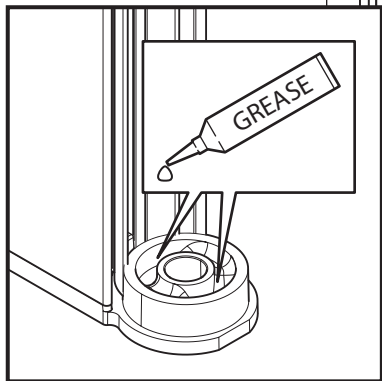


# 4

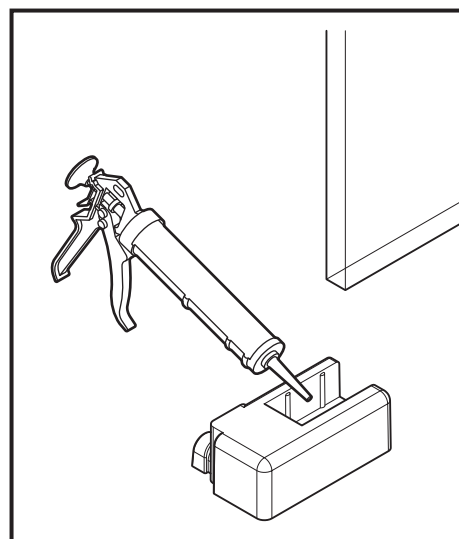
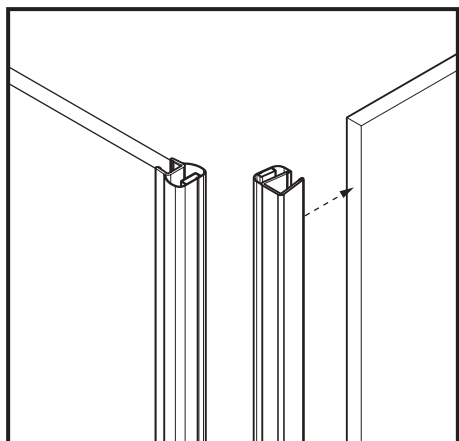
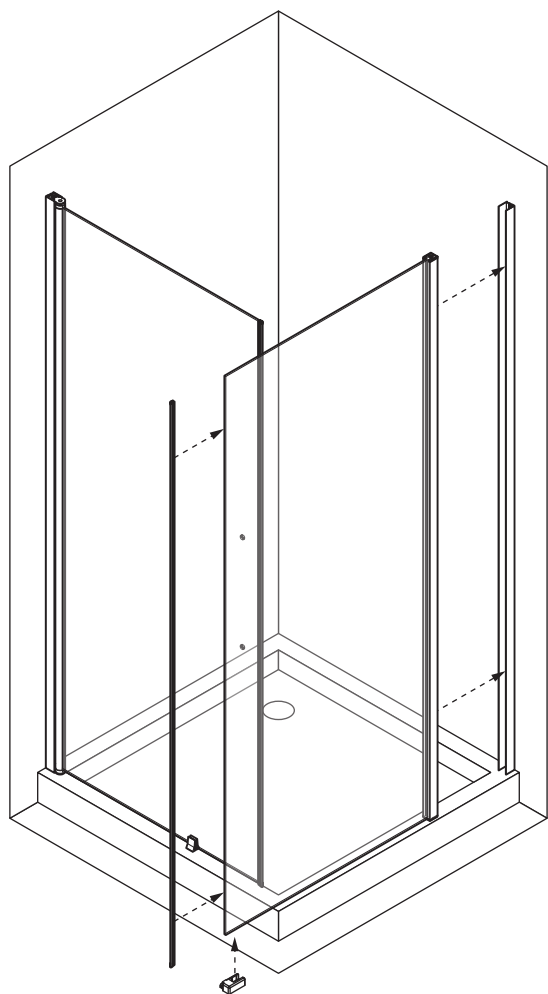


5

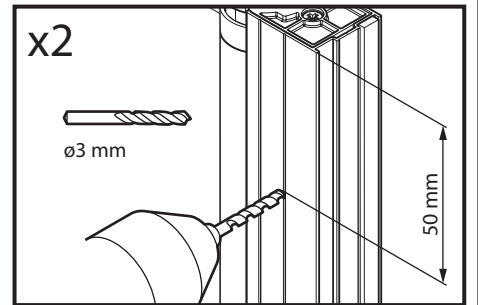
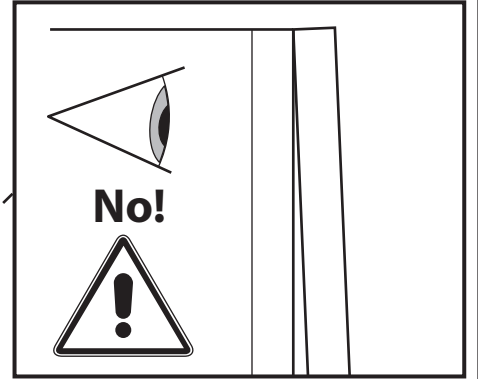
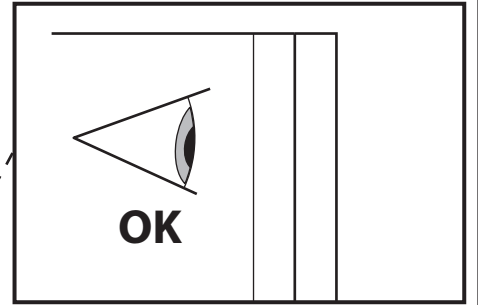
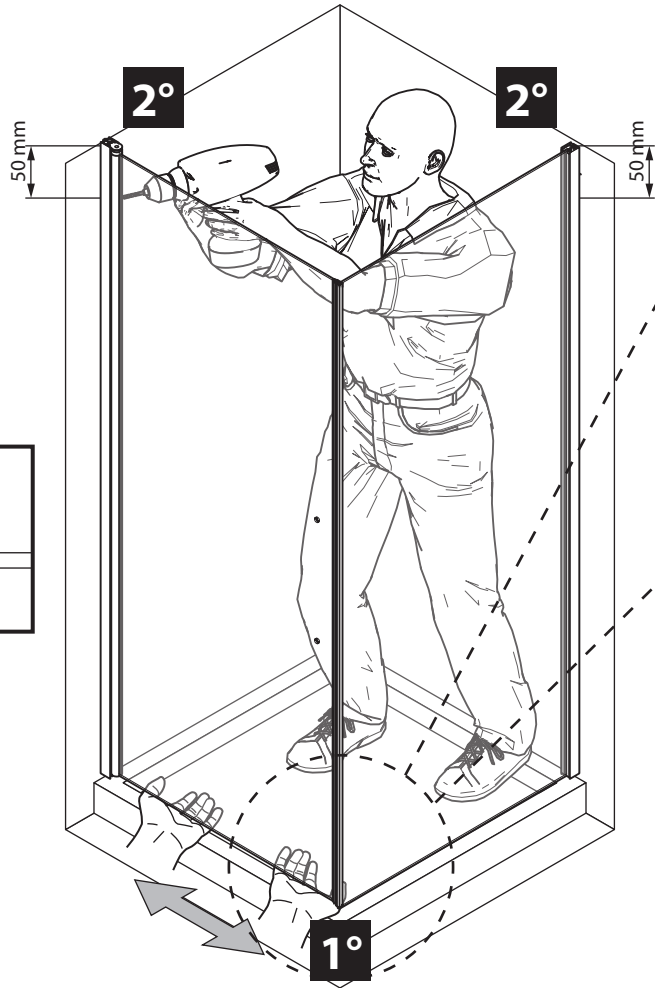
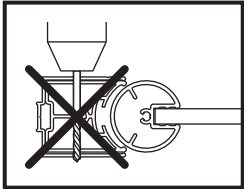
# 5



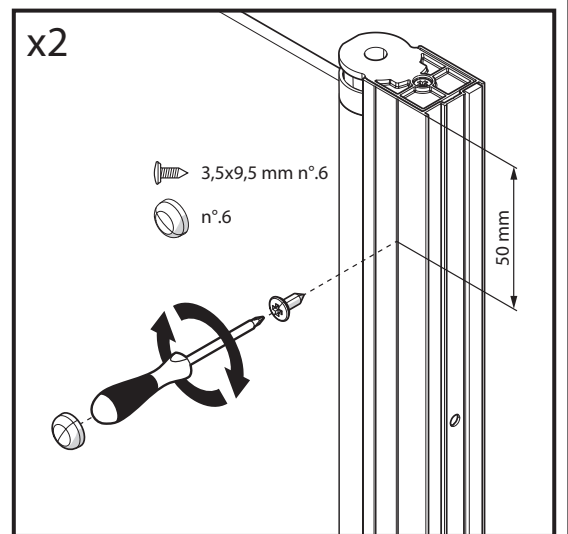
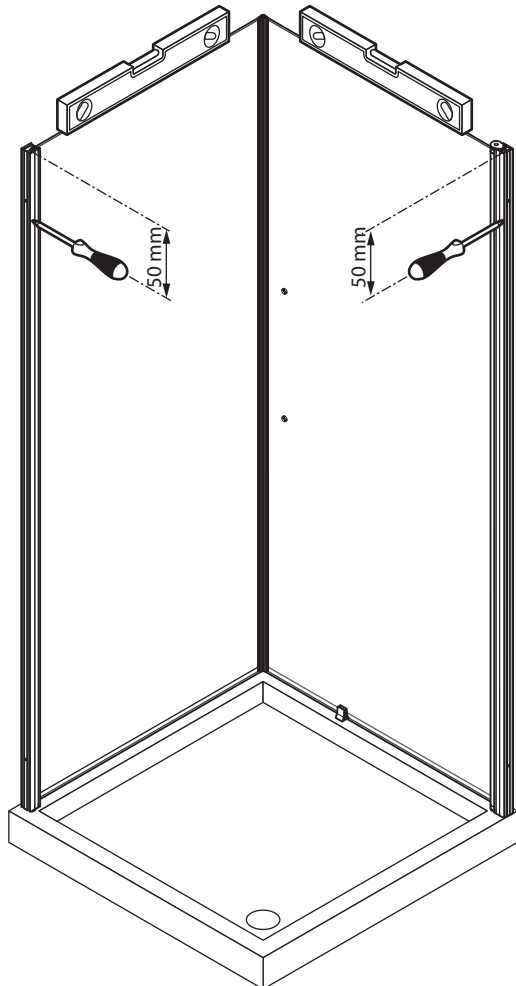
# 6



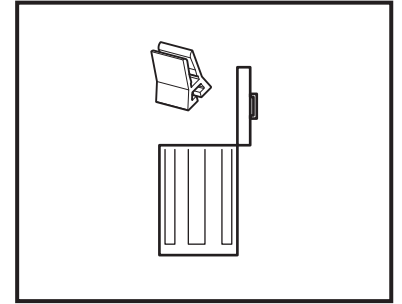
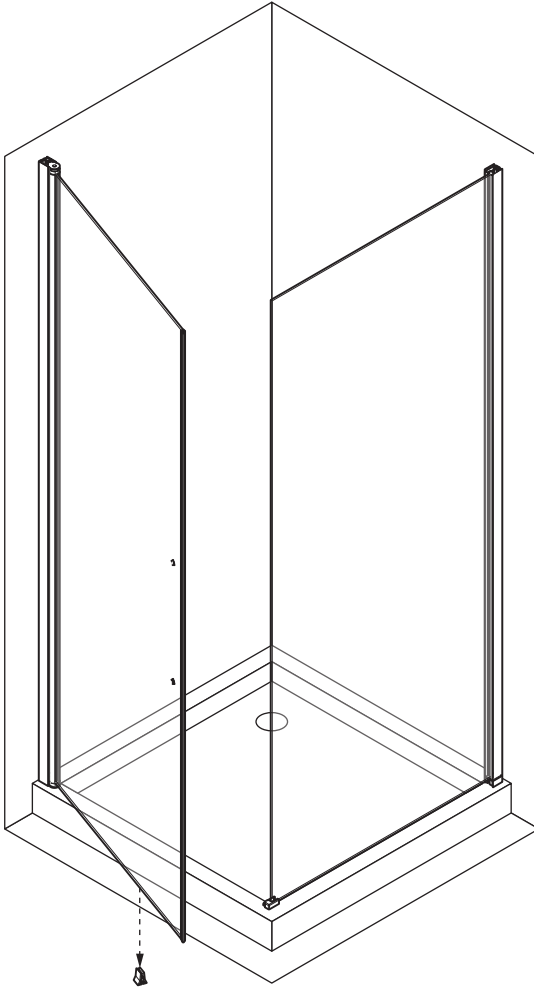
# 7



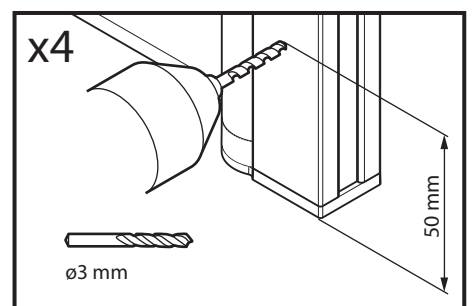
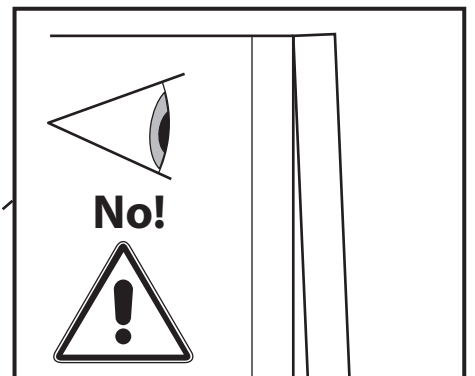
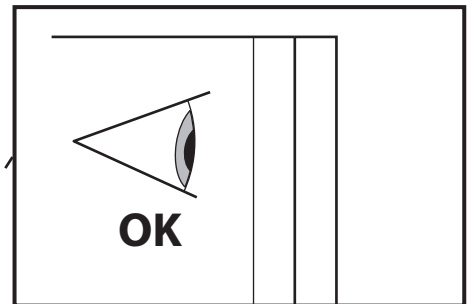
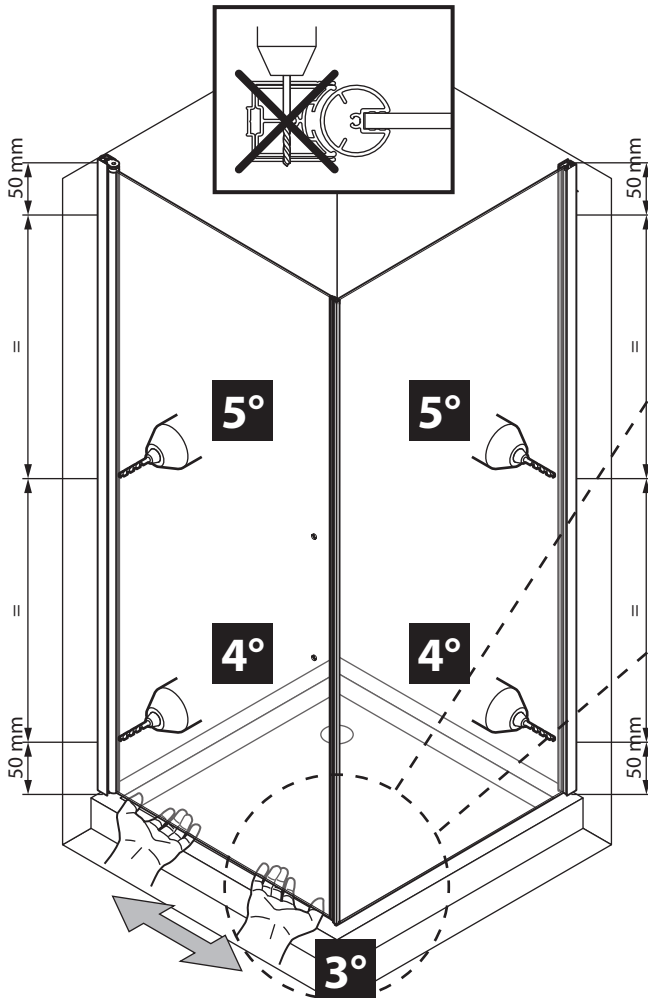
# 8



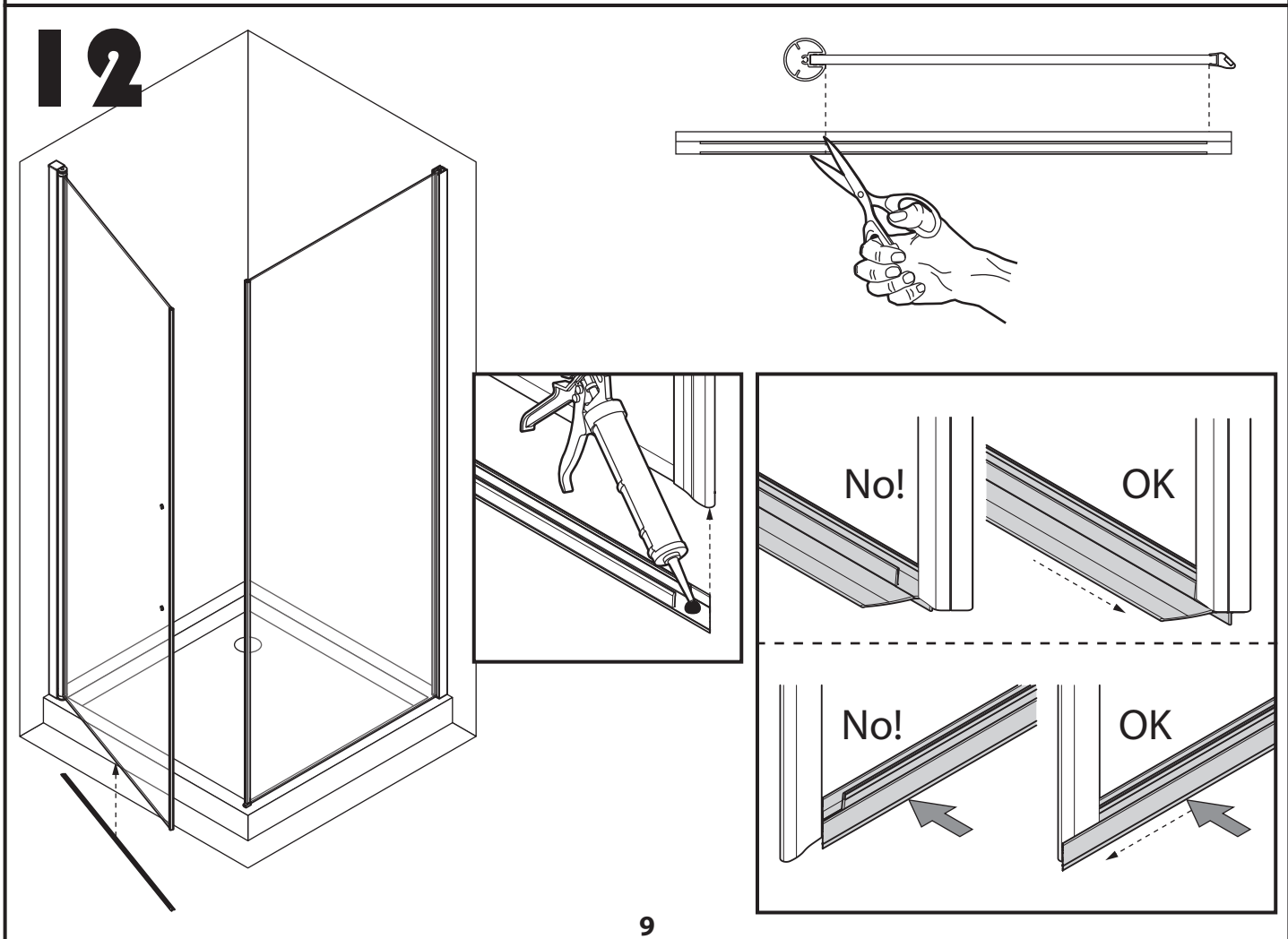
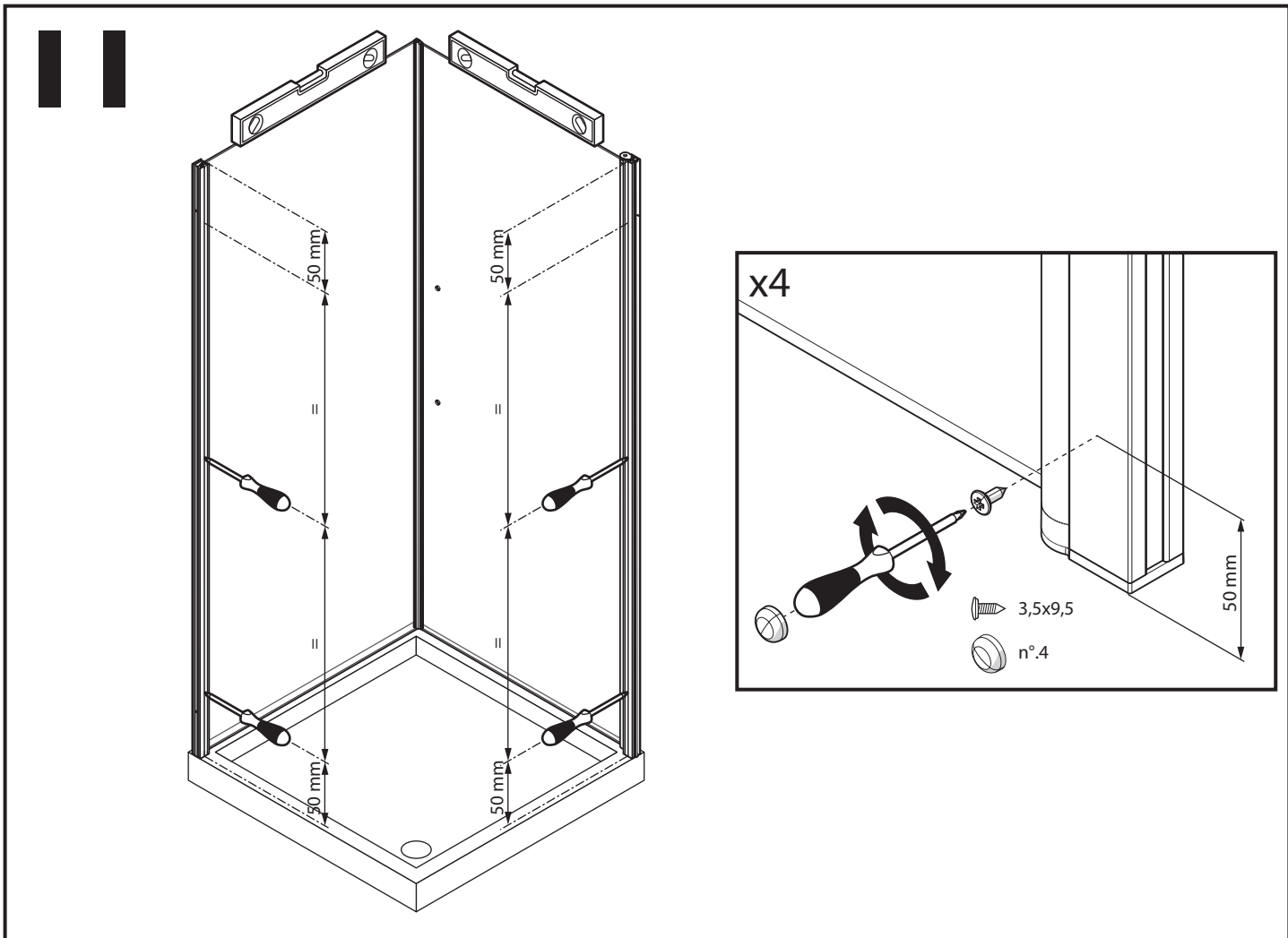
9



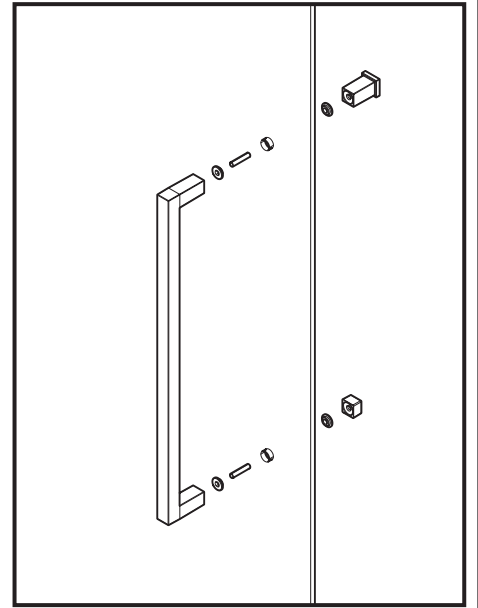
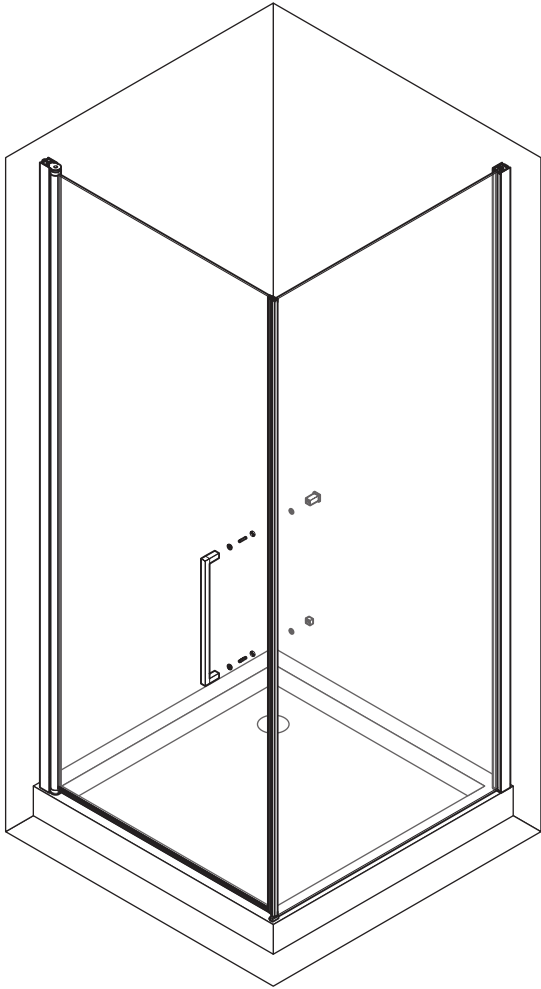
10



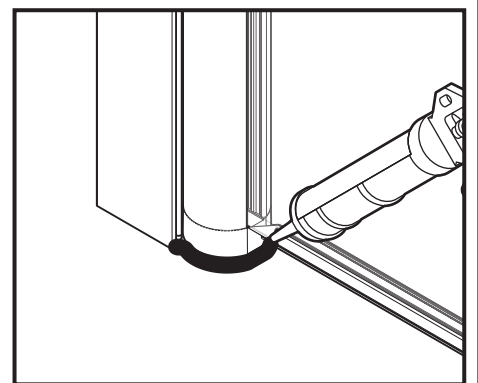
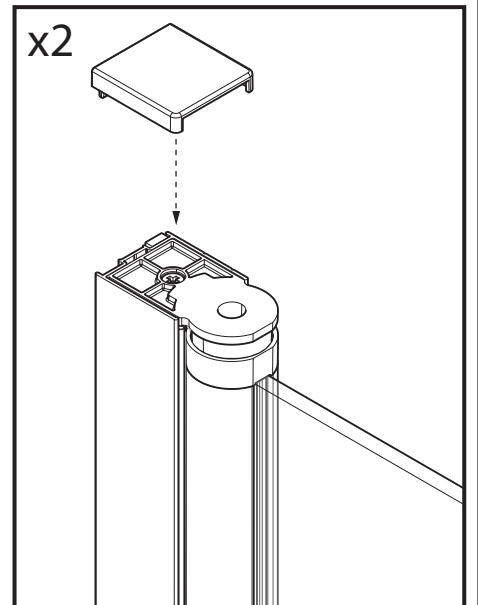
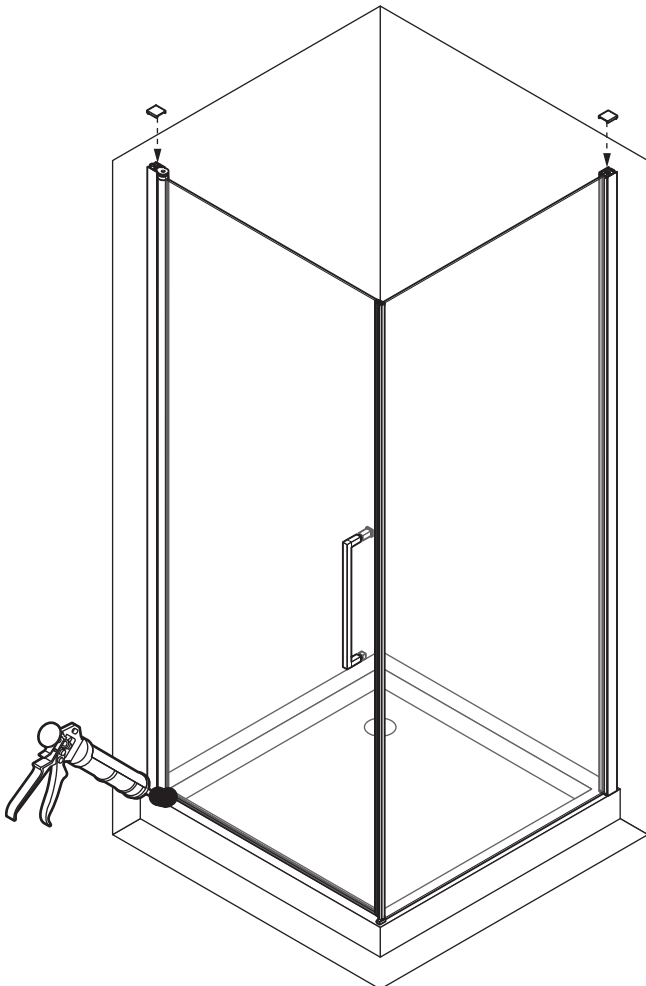
8



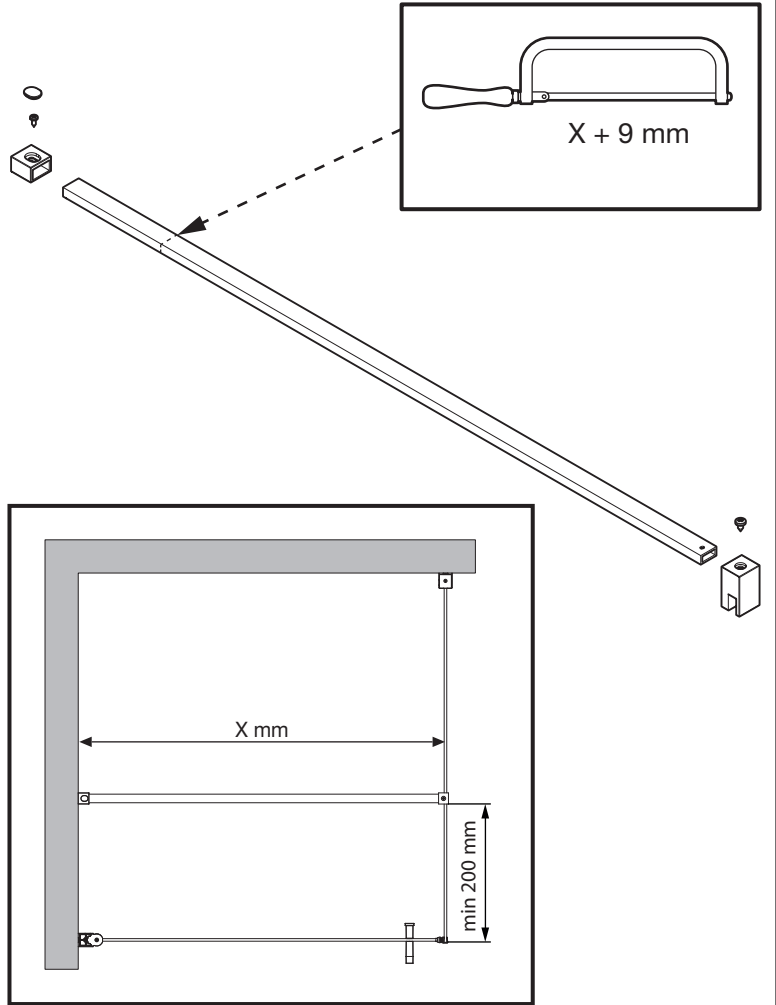
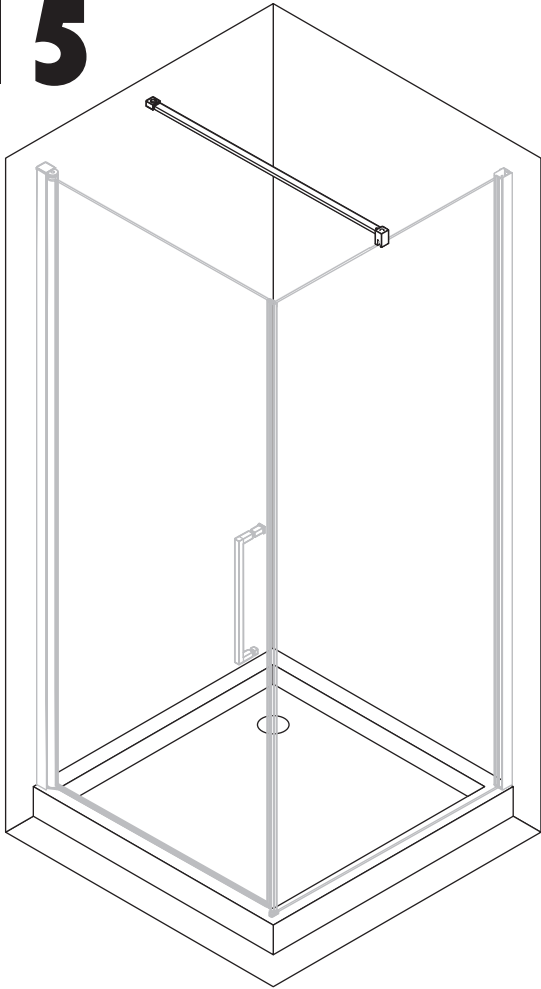
# 13



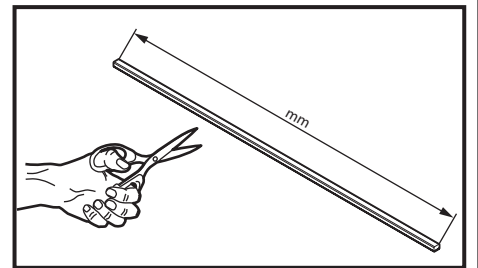
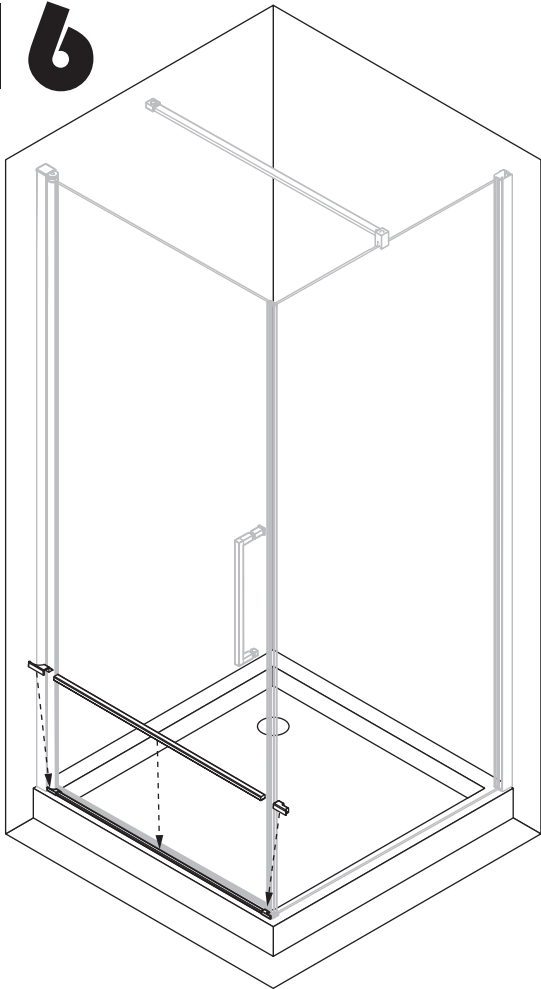
# 14



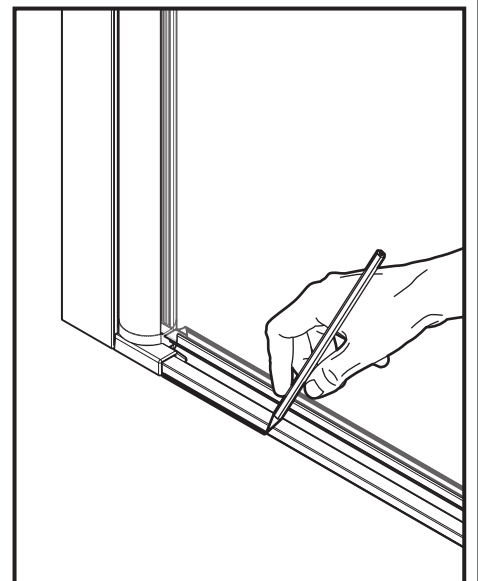
# 15



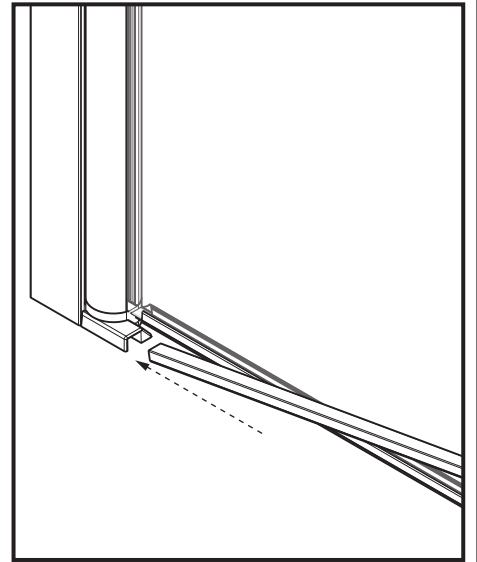
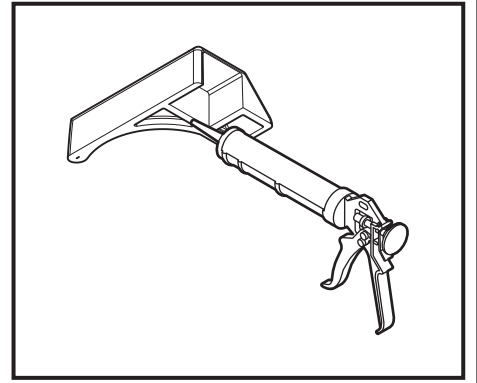
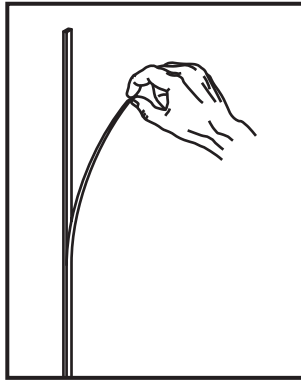
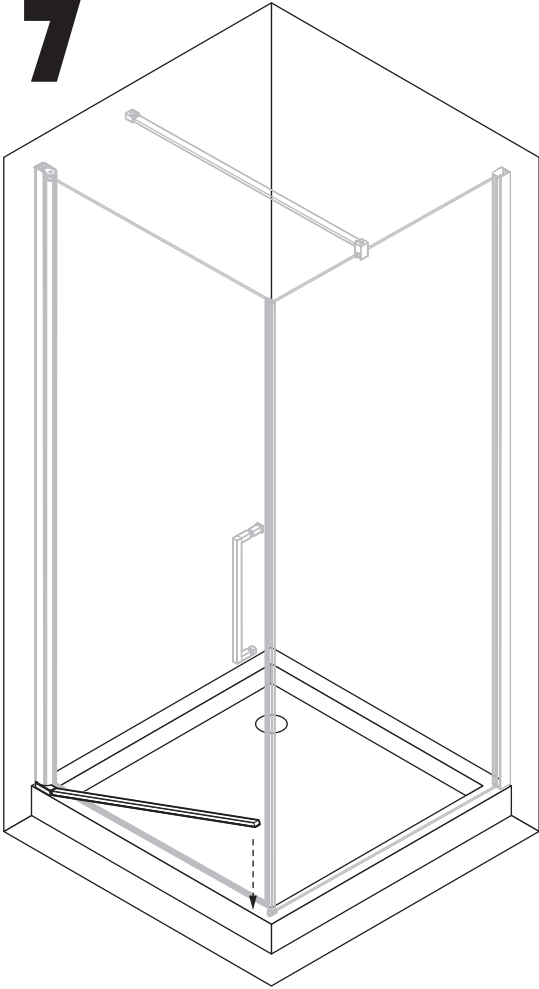
# 16



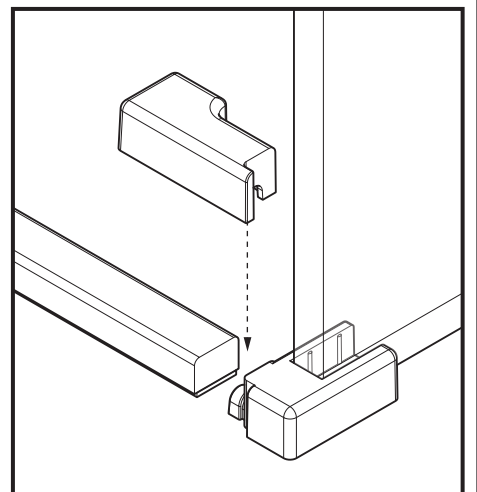
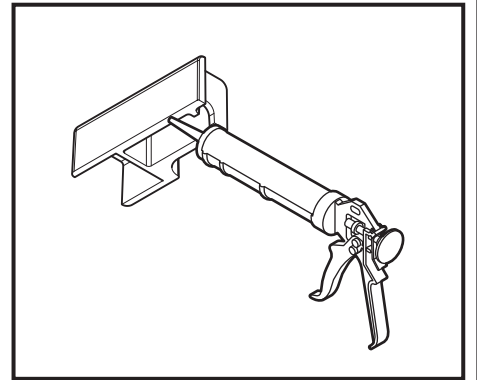
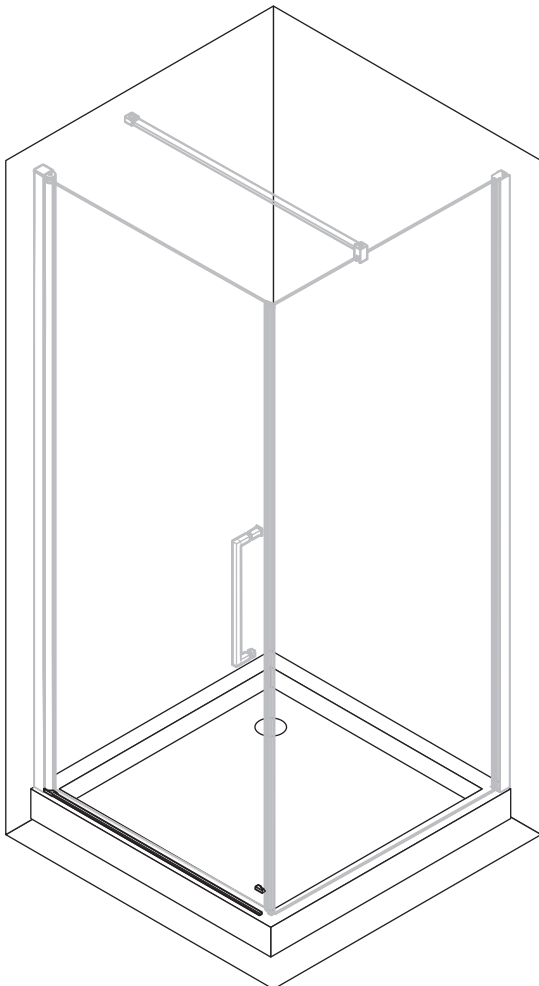
| mod. G+F | mm  |
|----------|-----|
| 57-59    | 472 |
| 59-61    | 492 |
| 61-63    | 512 |
| 65-67    | 552 |
| 67-69    | 572 |
| 69-71    | 592 |
| 72-74    | 622 |
| 74-76    | 642 |
| 77-79    | 672 |
| 79-81    | 692 |
| 85-87    | 752 |
| 87-89    | 772 |
| 89-91    | 792 |
| 95-97    | 852 |
| 97-99    | 872 |
| 99-101   | 892 |



# 17

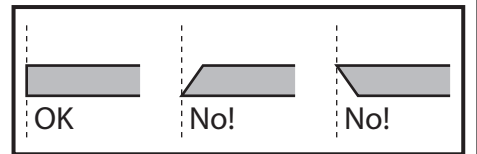
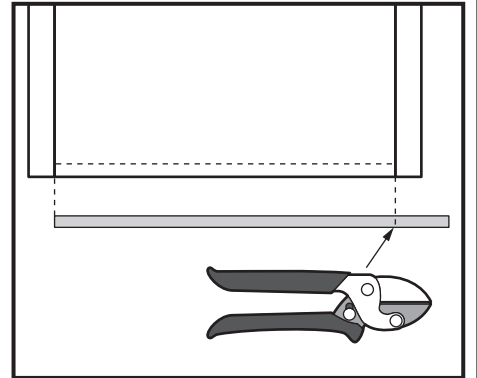
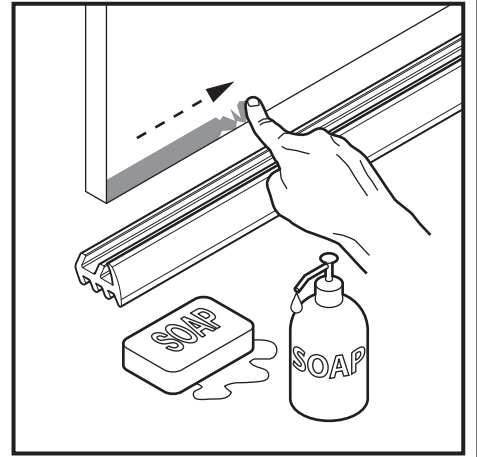
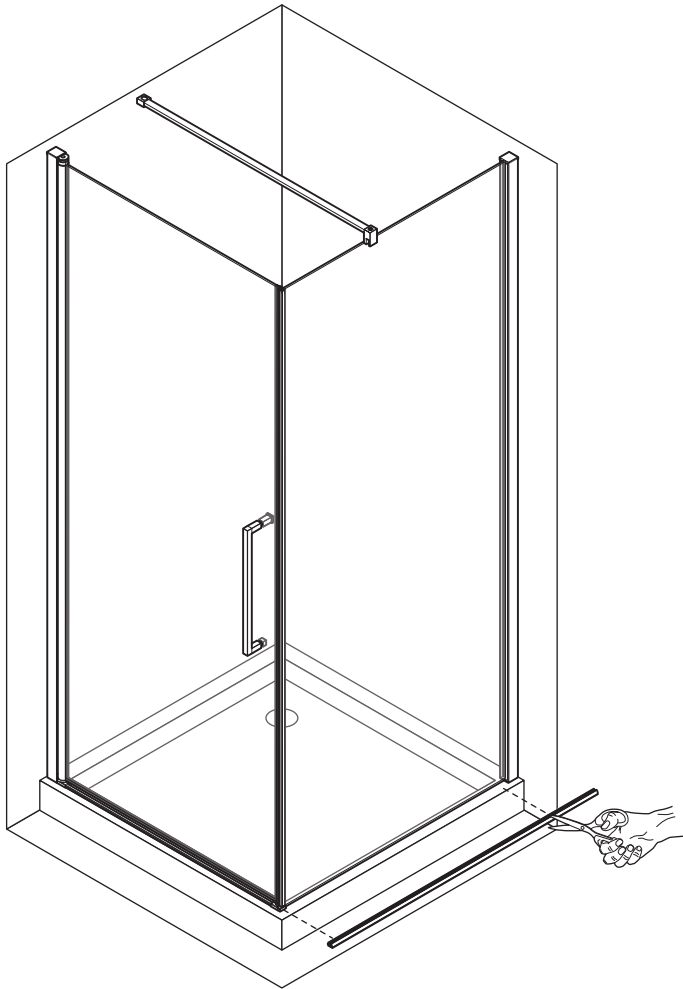


# 18

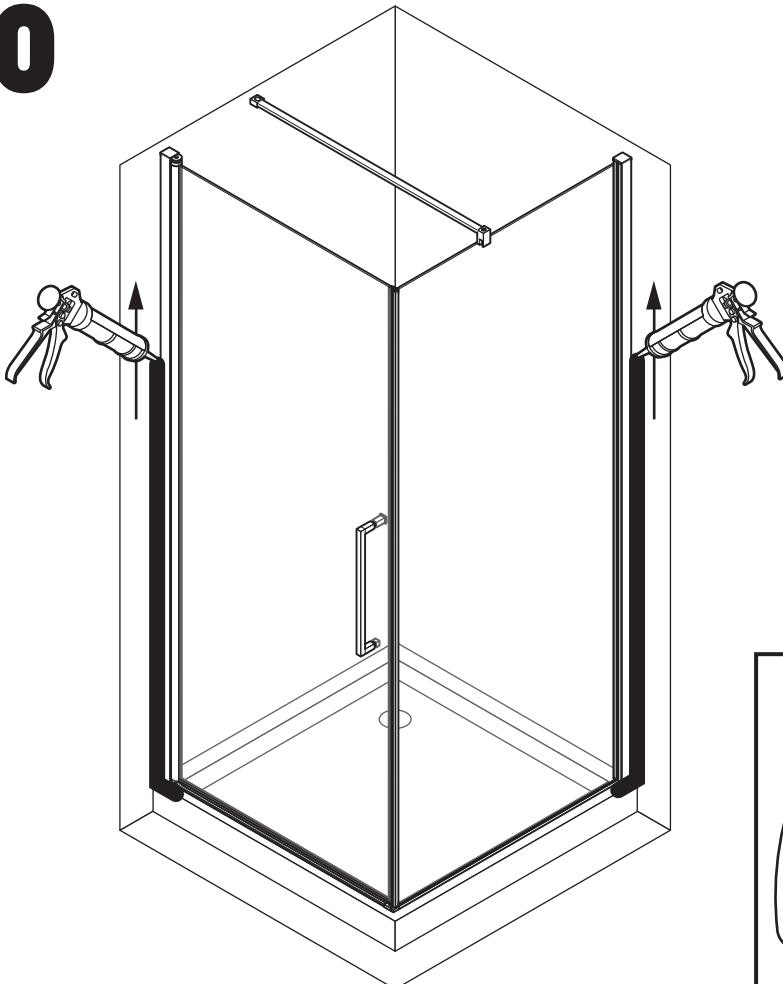


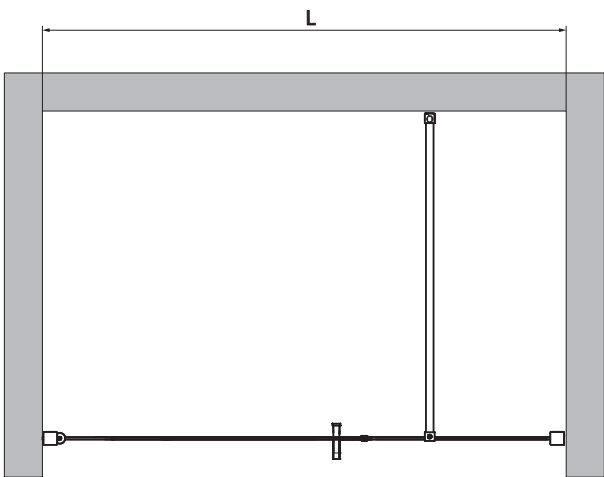
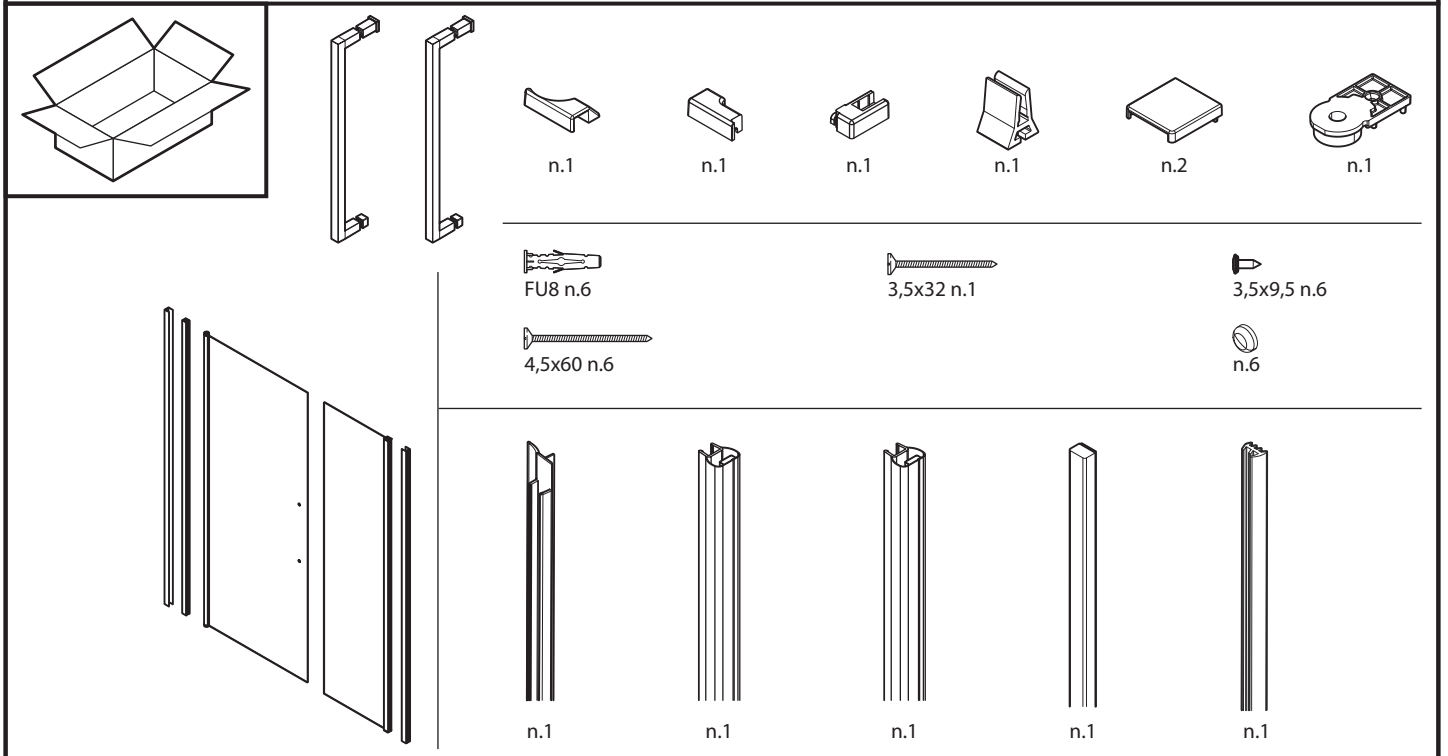
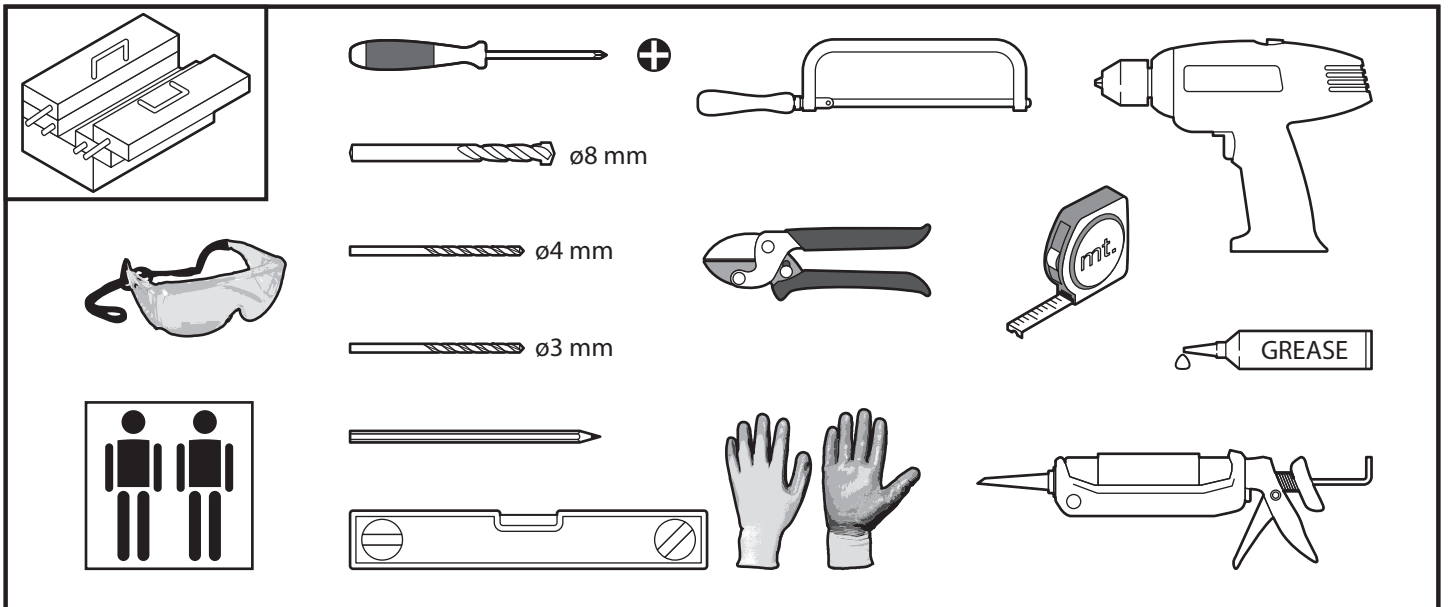


# 19

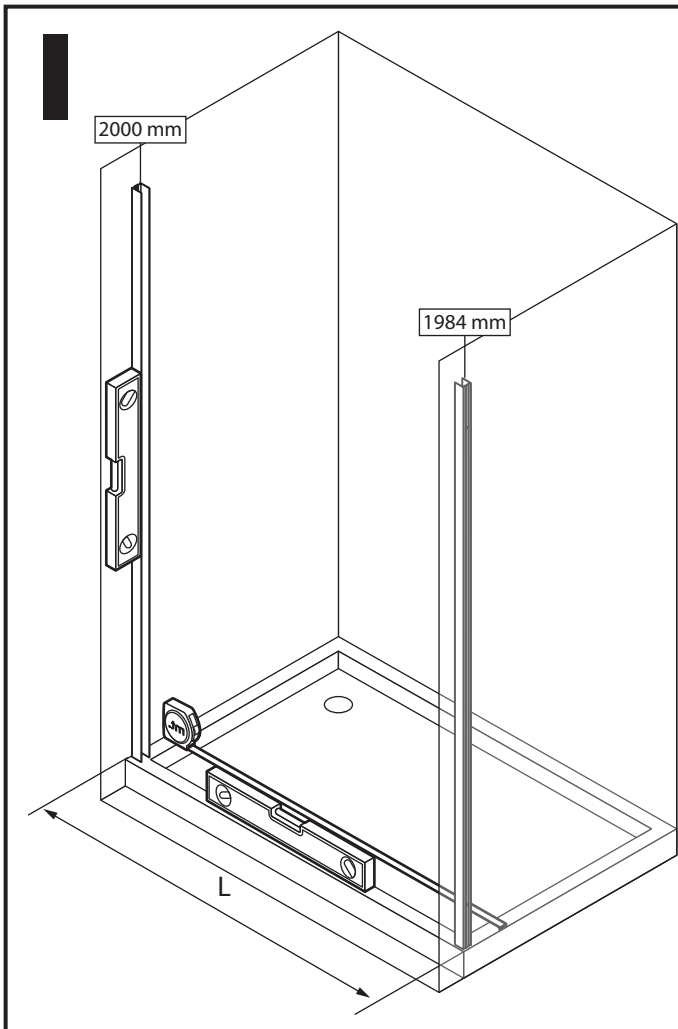


# 20

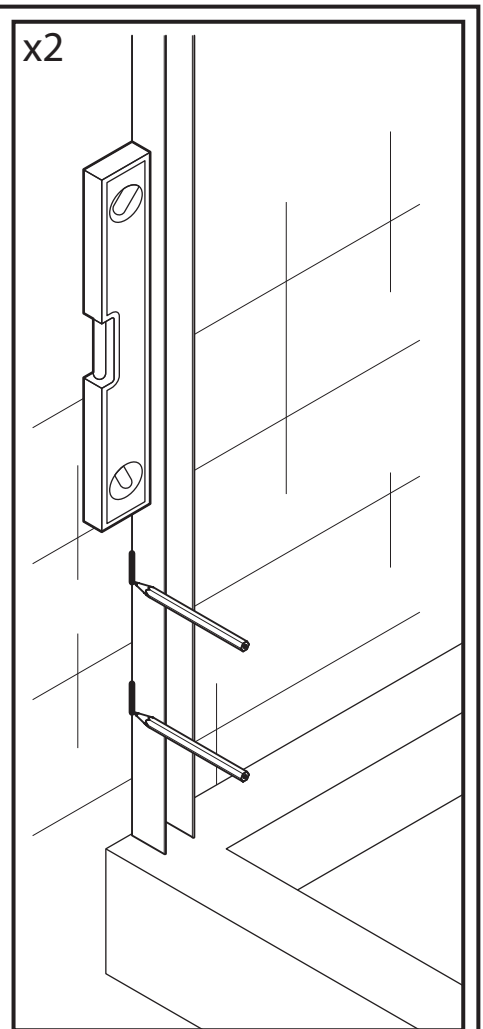




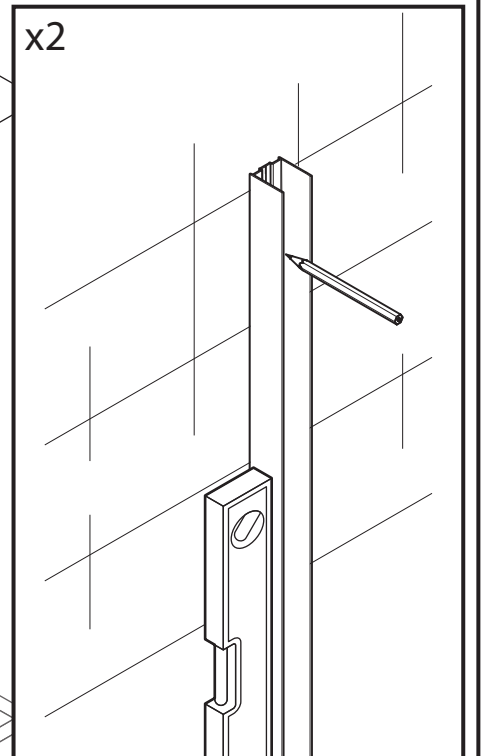
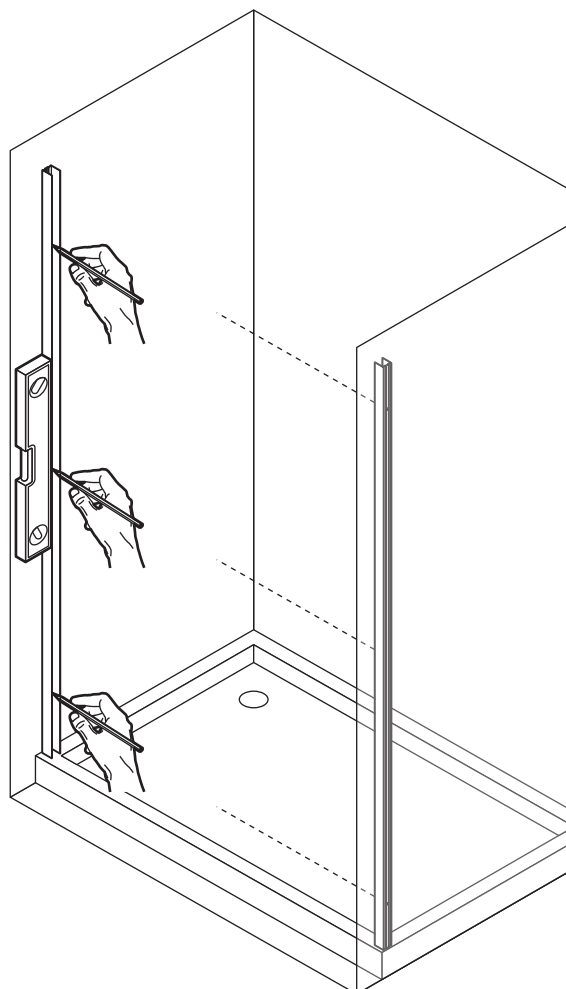
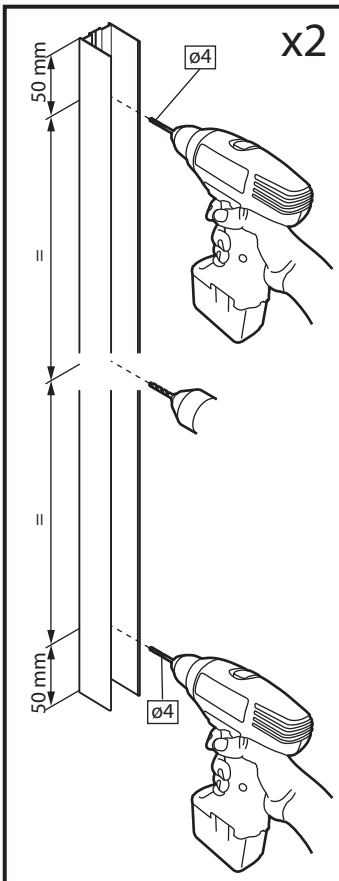
|        |              |
|--------|--------------|
| GFL97  | L=97-101 cm  |
| GFL114 | L=114-118 cm |
| GFL117 | L=117-121 cm |
| GFL137 | L=137-141 cm |
| GFL147 | L=147-151 cm |
| GFL157 | L=157-161 cm |
| GFL167 | L=167-171 cm |
| GFL177 | L=177-181cm  |



|        |              |
|--------|--------------|
| GFL97  | L=97-101 cm  |
| GFL114 | L=114-118 cm |
| GFL117 | L=117-121 cm |
| GFL137 | L=137-141 cm |
| GFL147 | L=147-151 cm |
| GFL157 | L=157-161 cm |
| GFL167 | L=167-171 cm |
| GFL177 | L=177-181 cm |



**2**



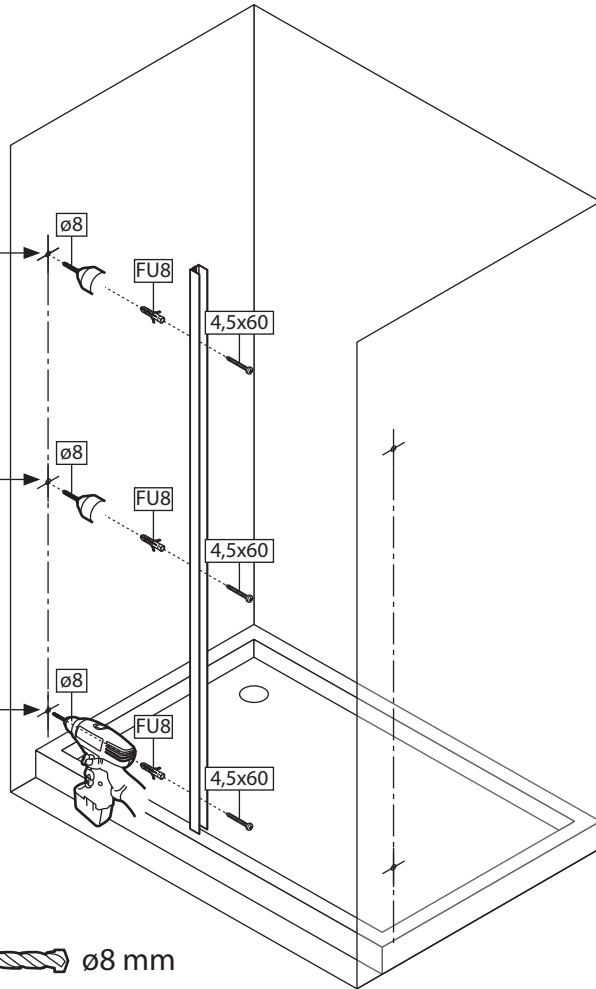
# 3

2°

3°

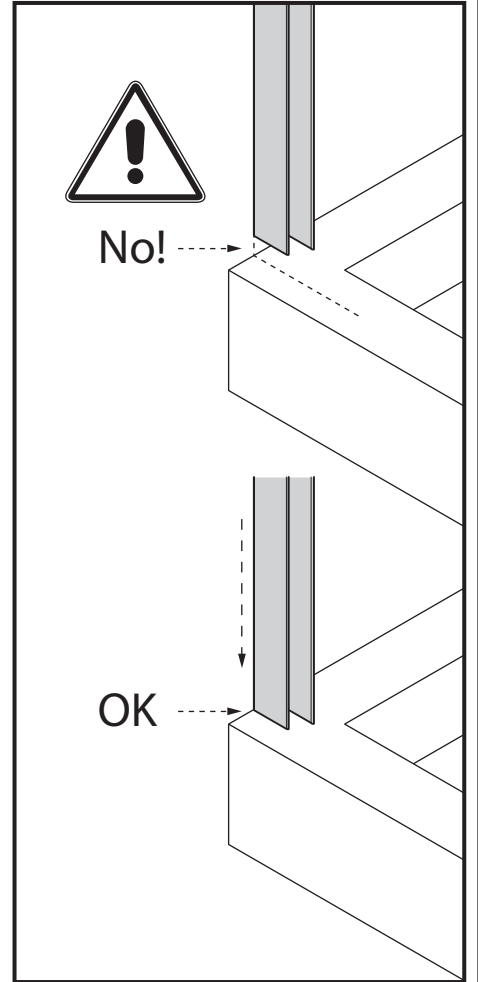
1°

Ø8 mm



No!

OK



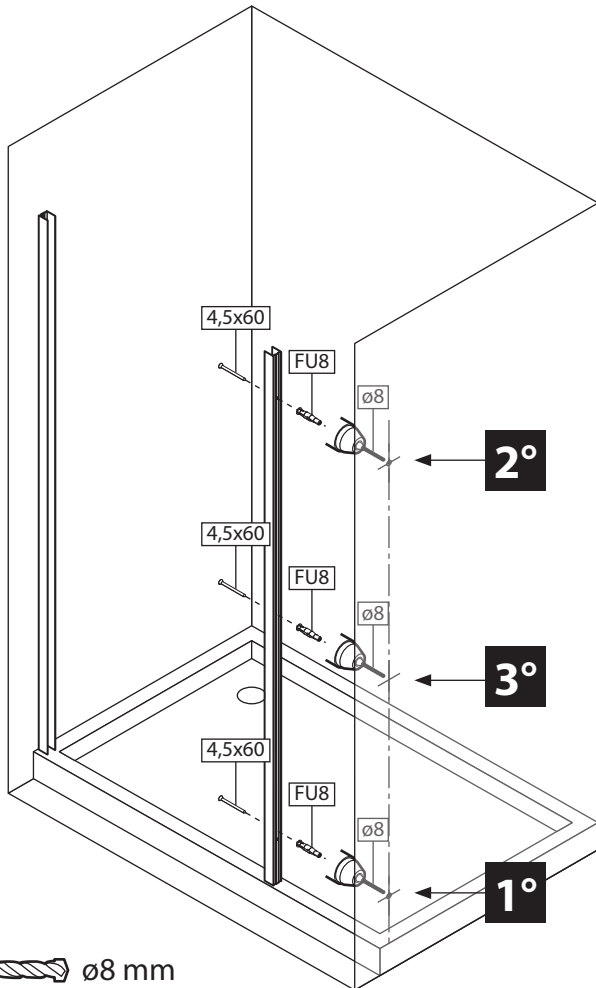
# 4

2°

3°

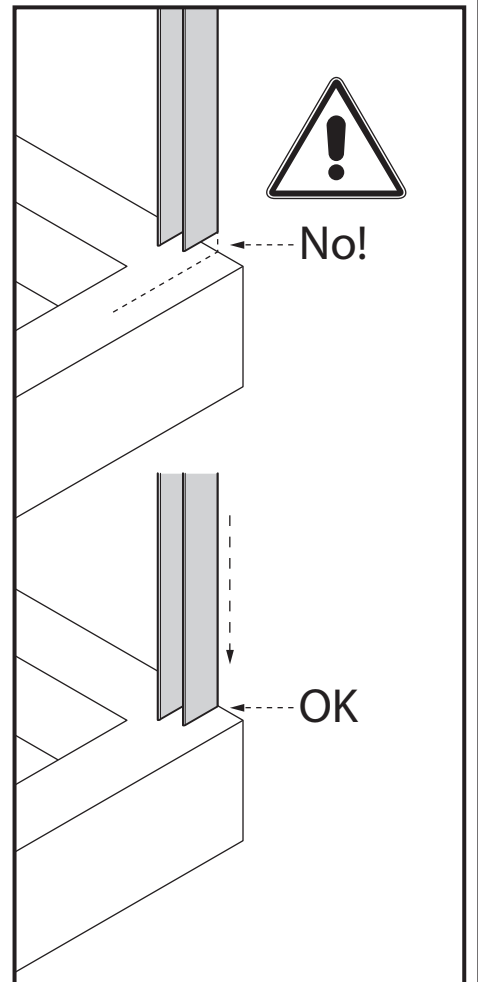
1°

Ø8 mm

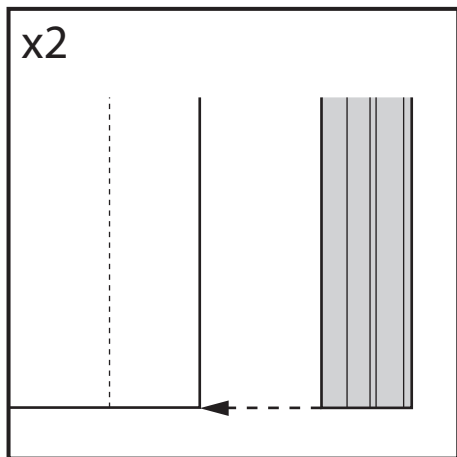
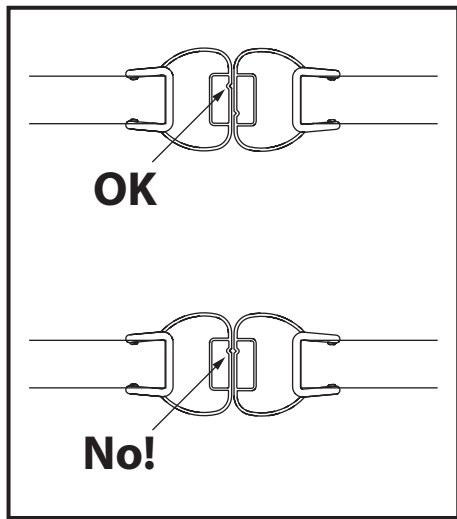
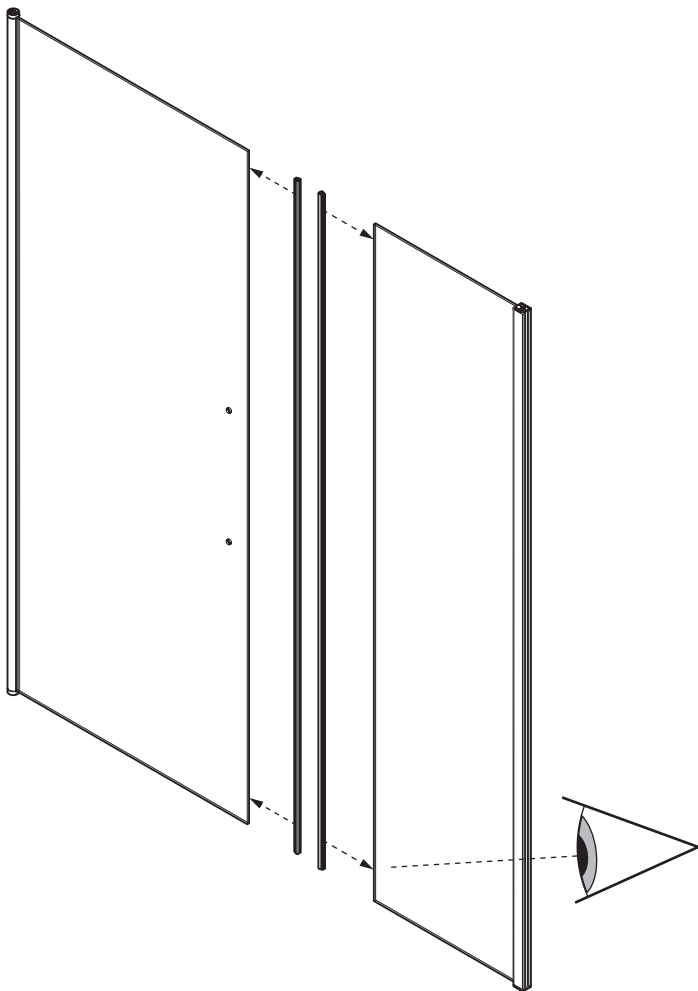


No!

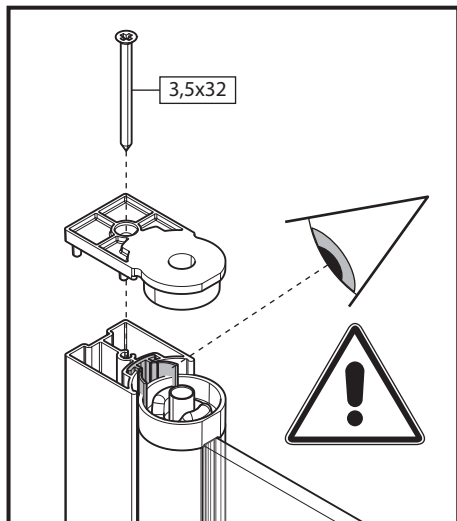
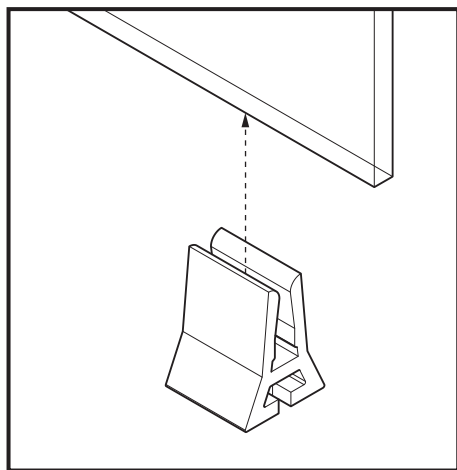
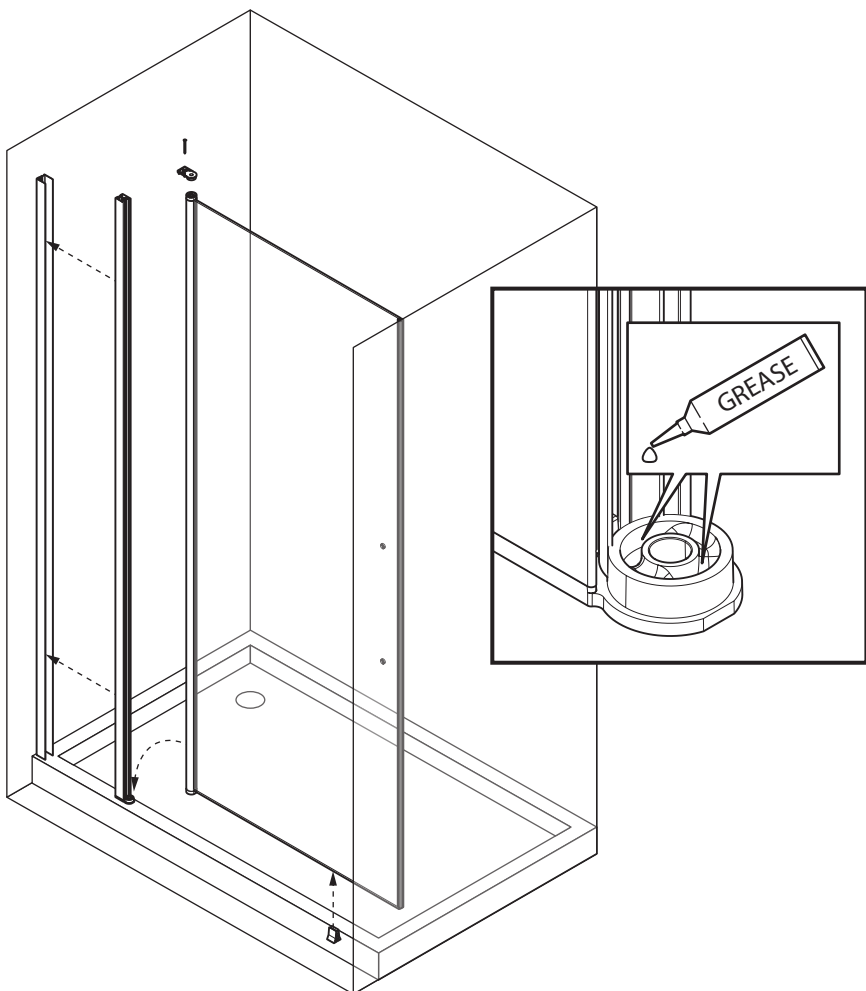
OK



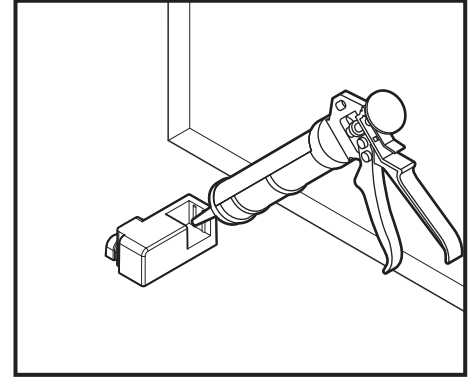
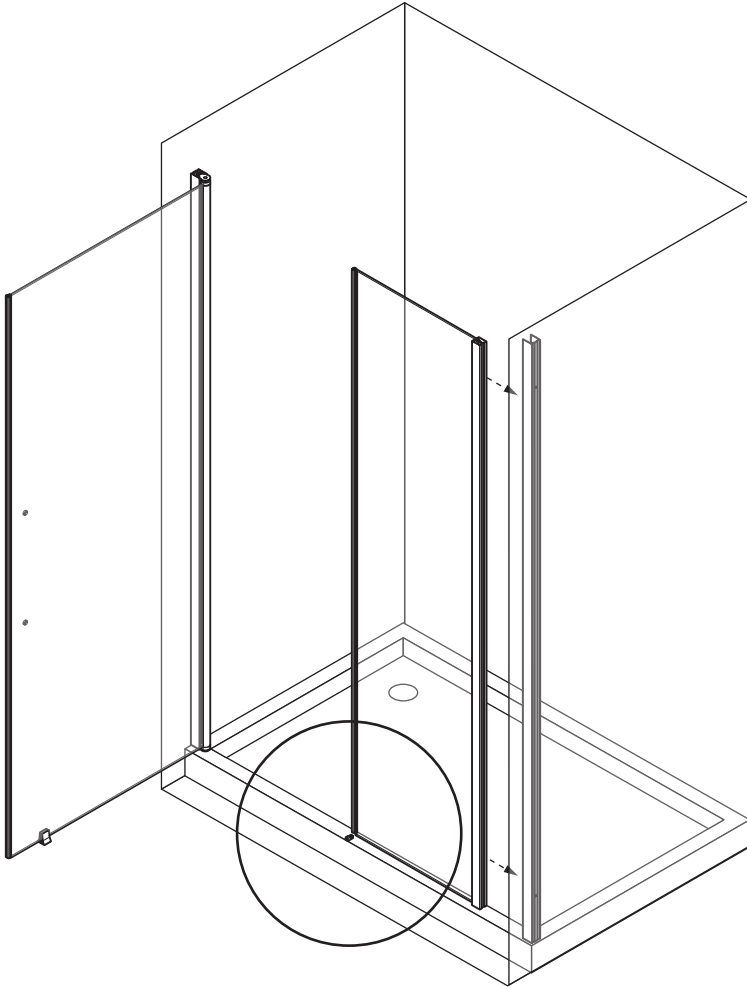
**5**



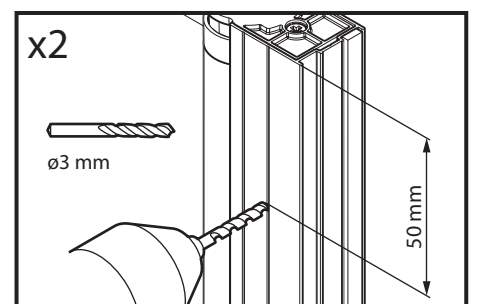
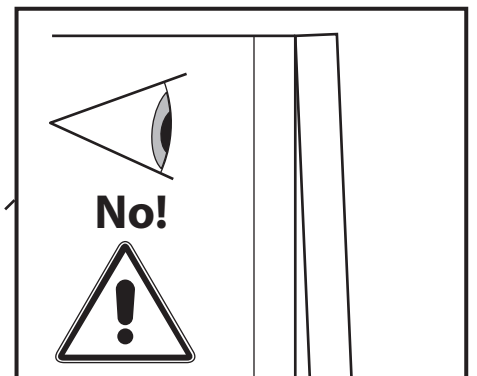
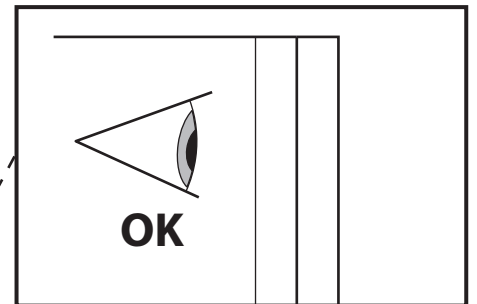
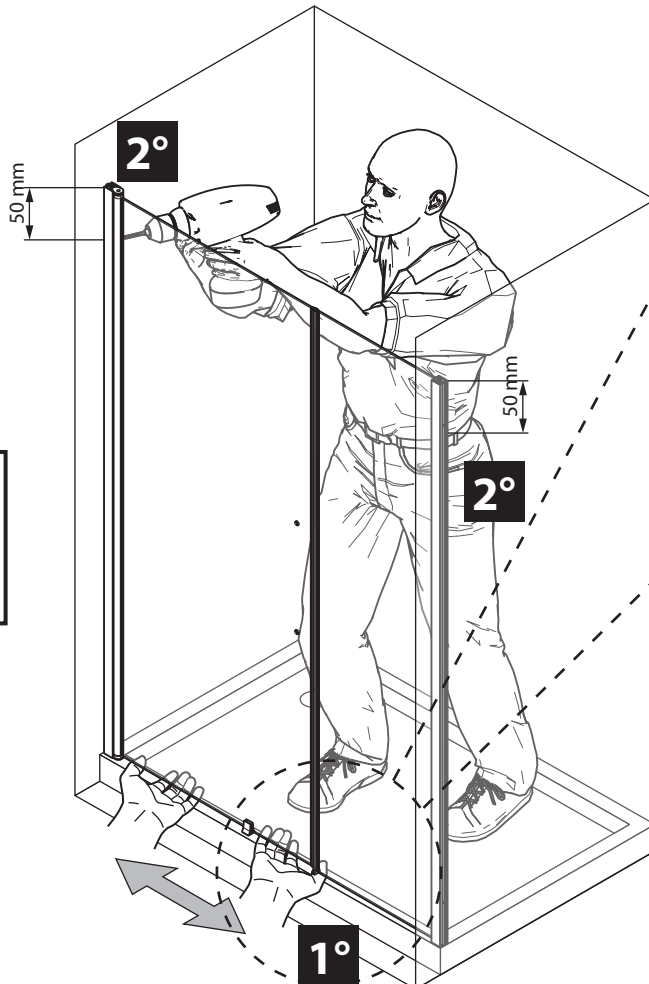
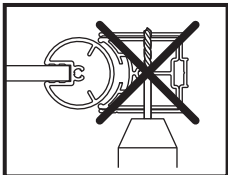
**6**



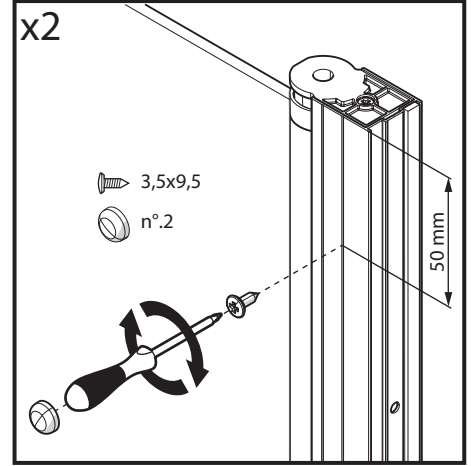
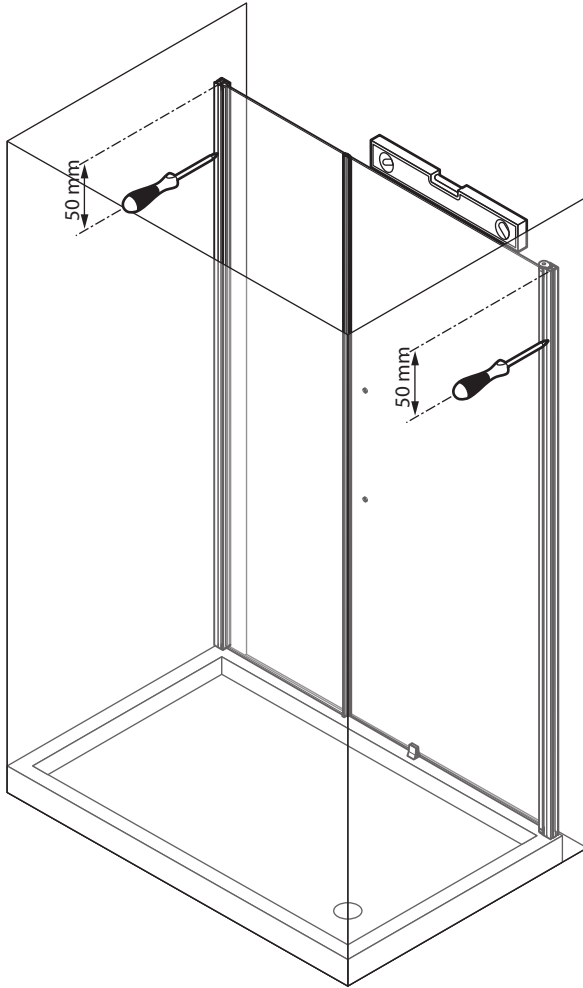
# 7



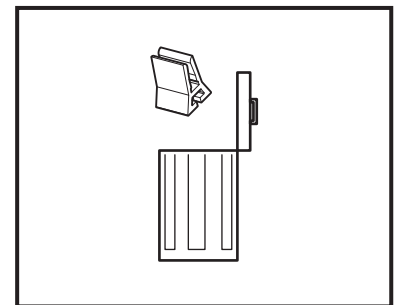
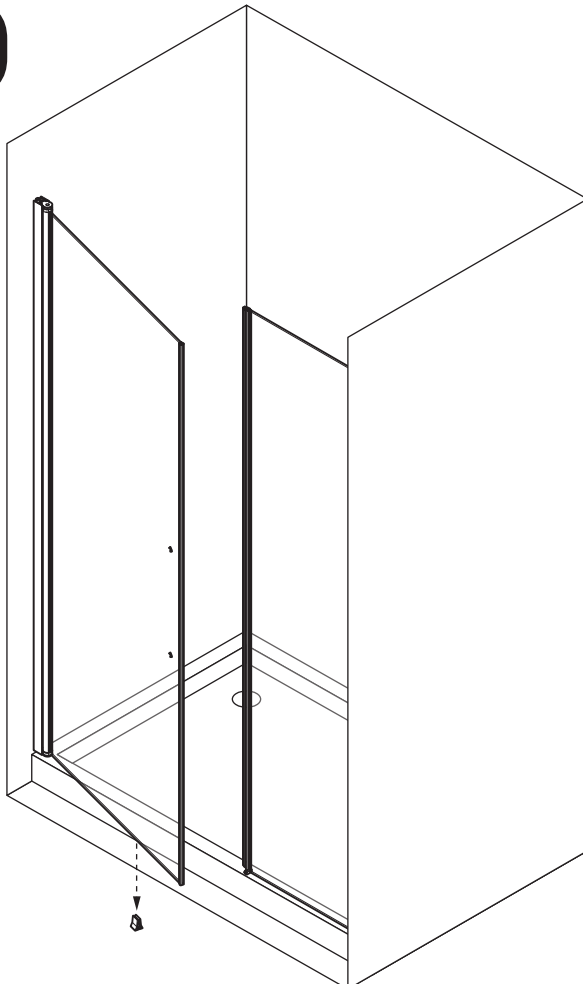
# 8

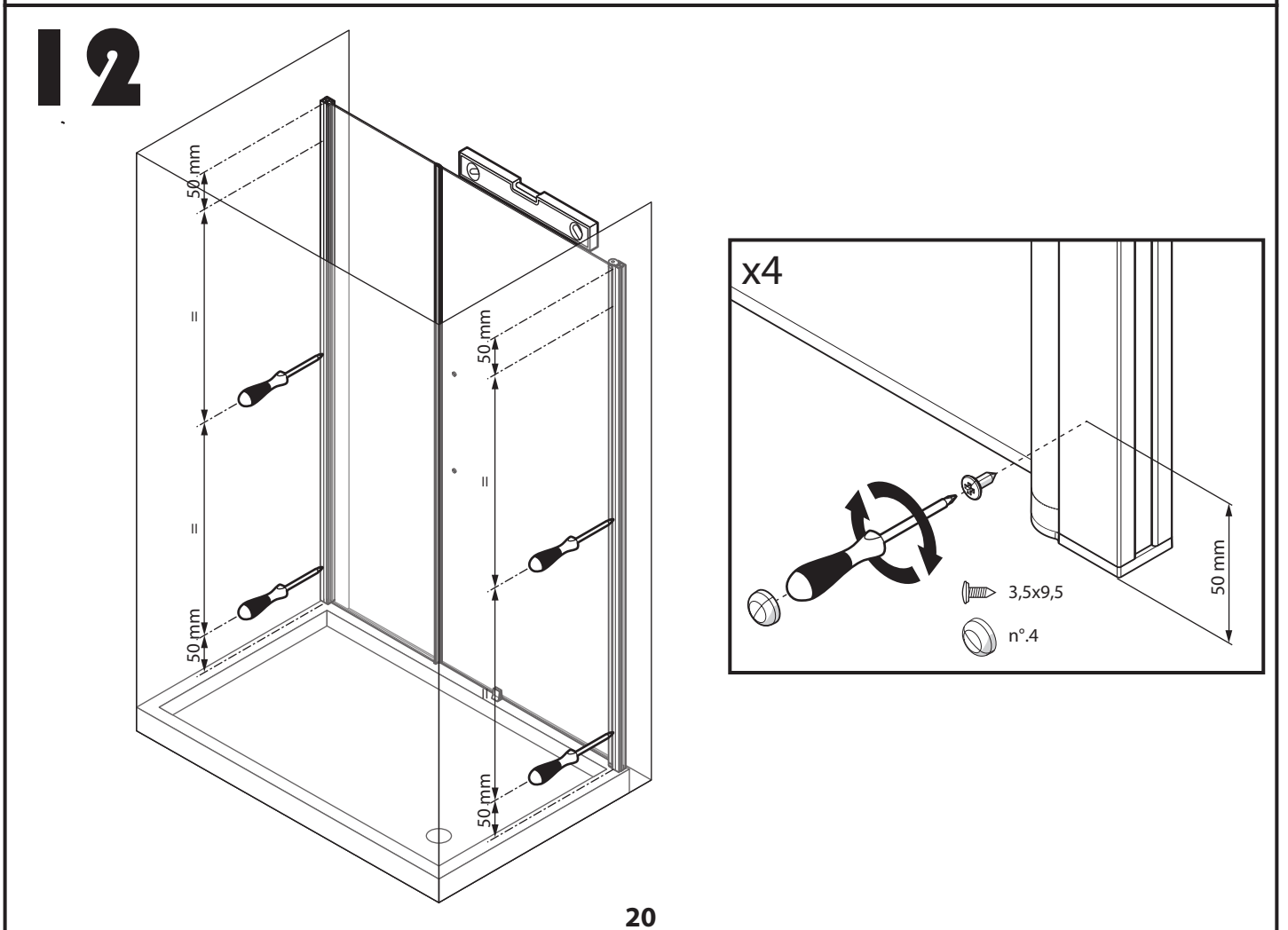
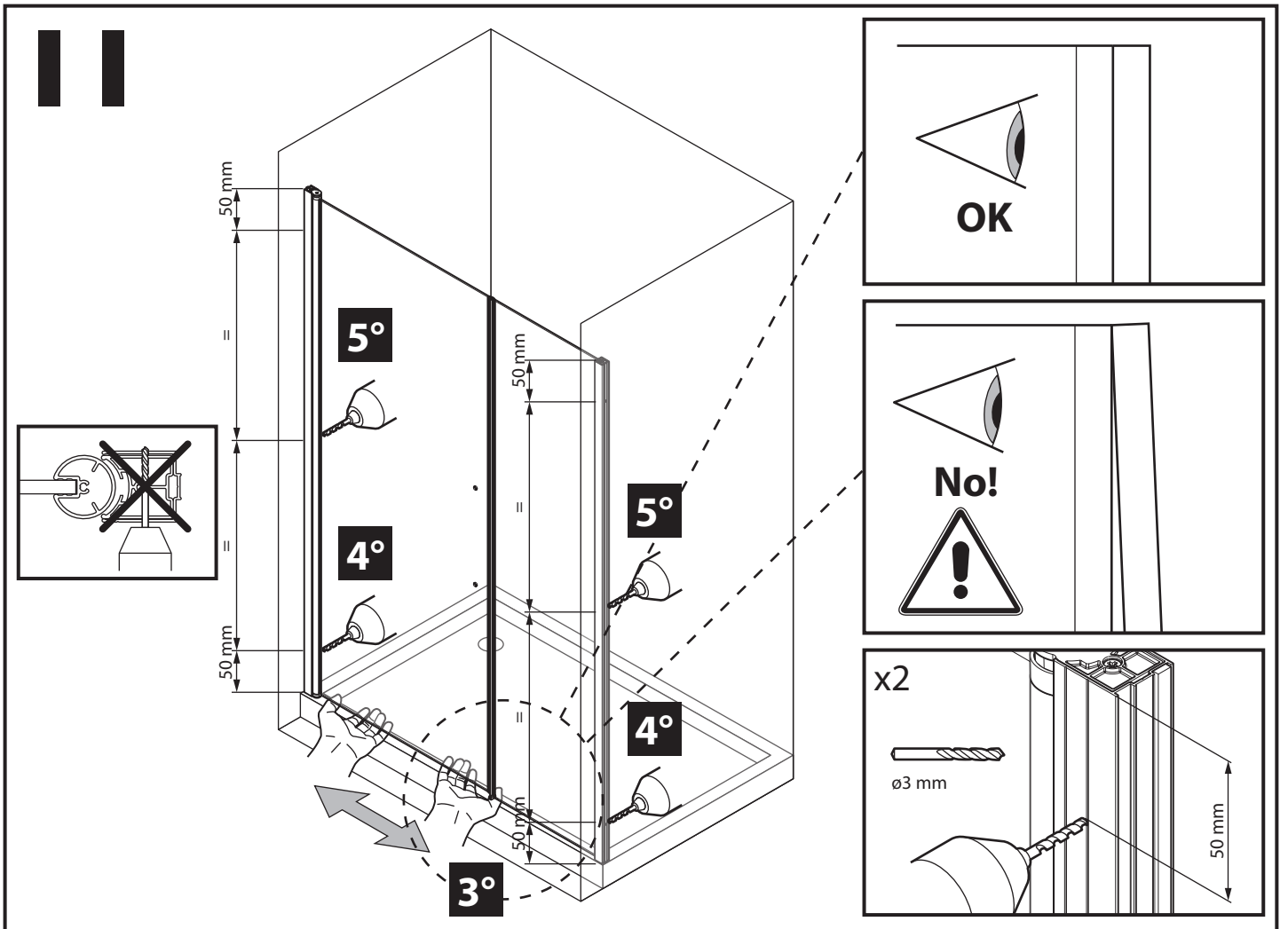


# 9



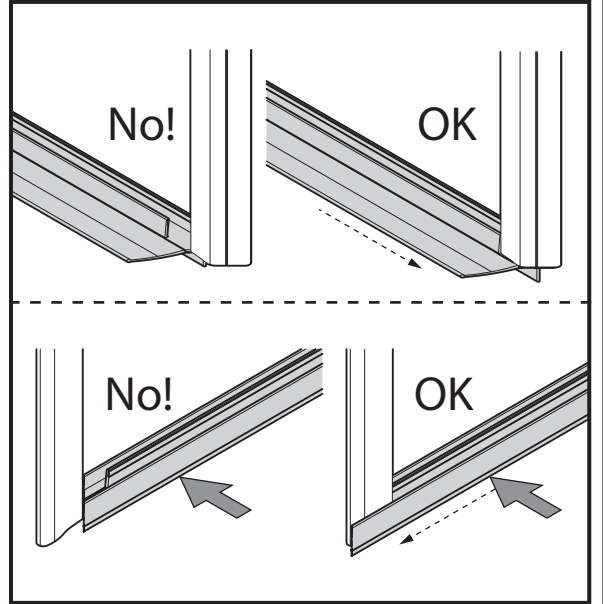
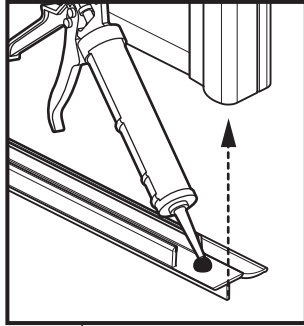
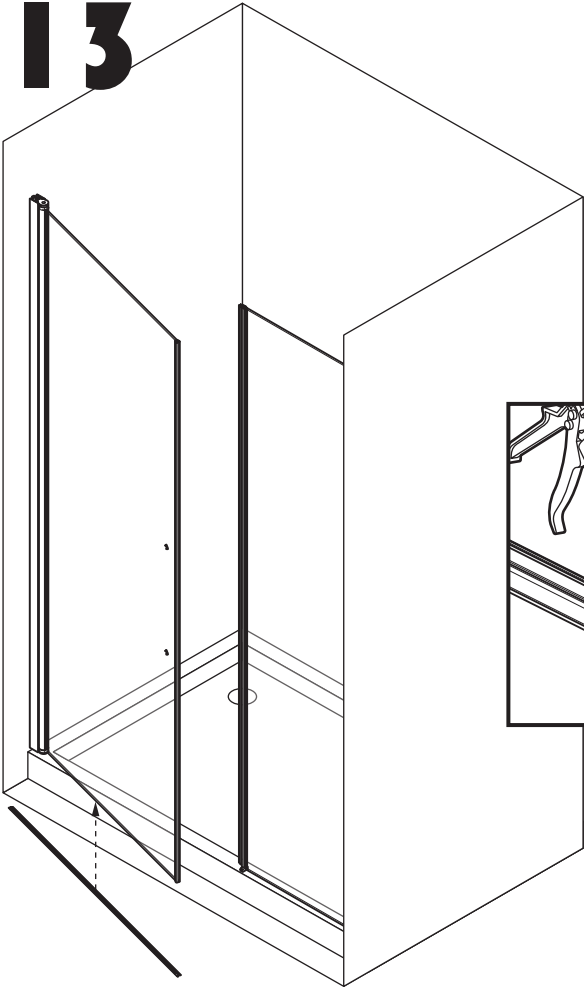
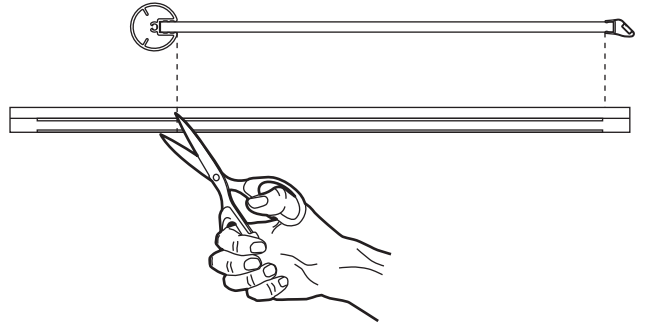
# 10



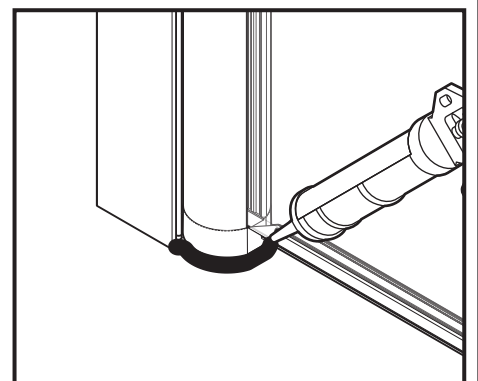
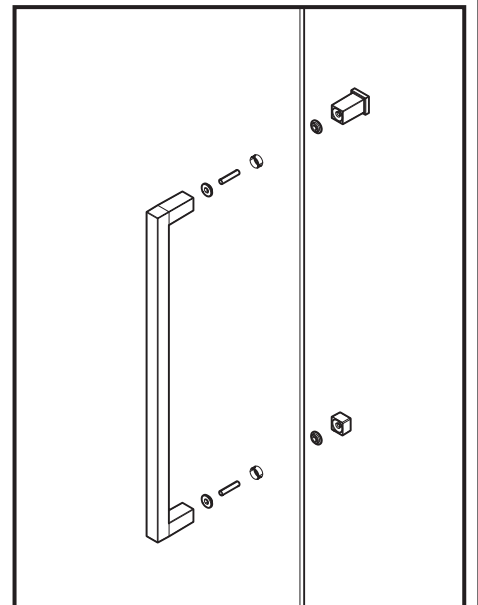
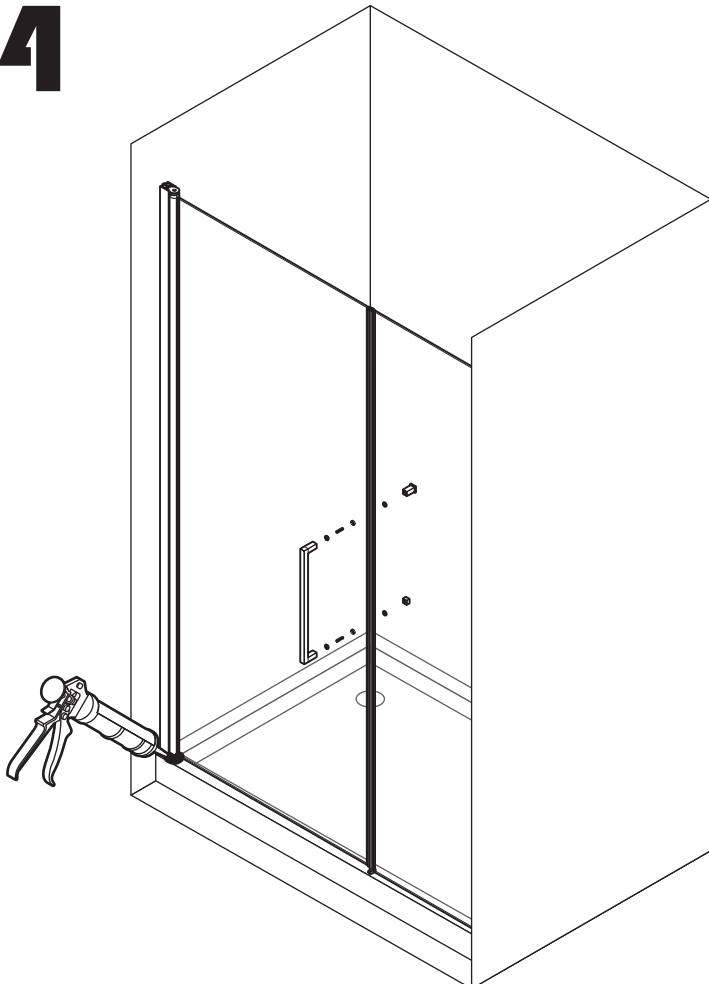




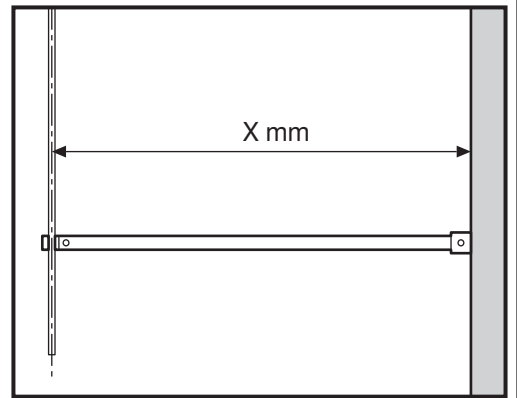
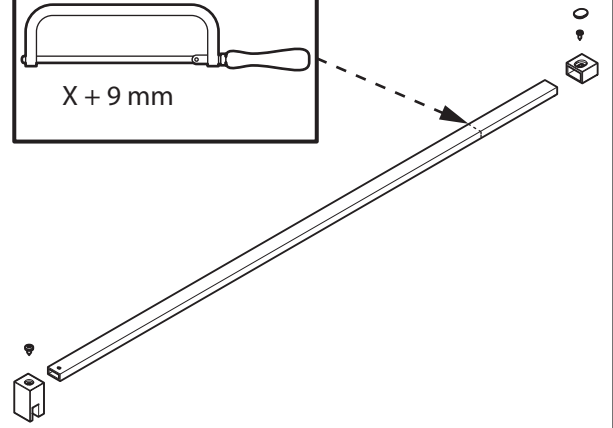
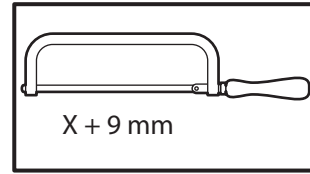
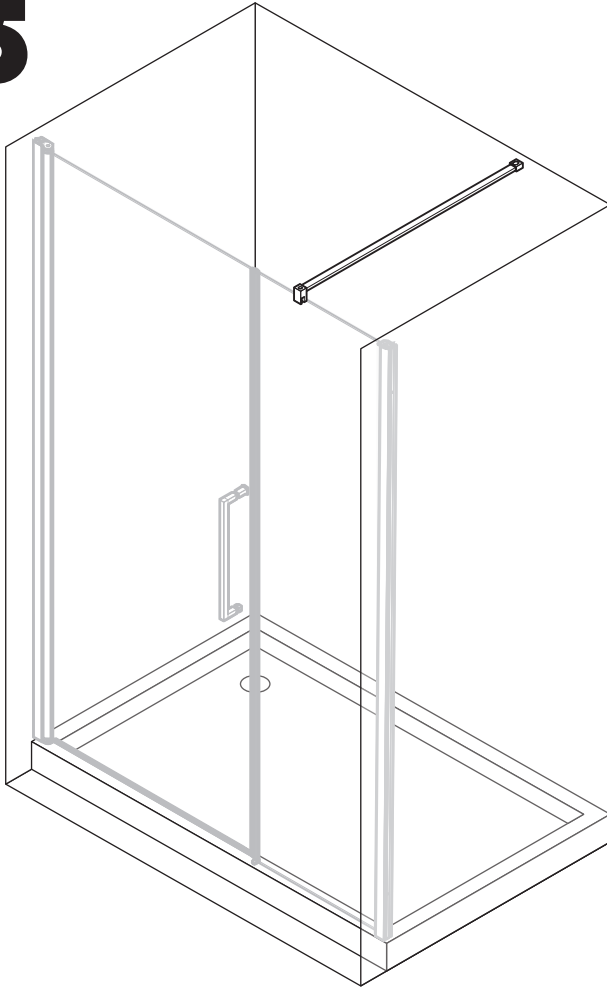
# 13



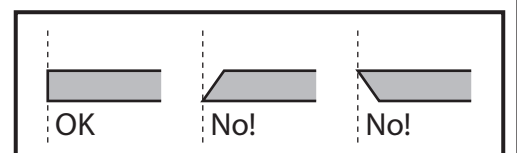
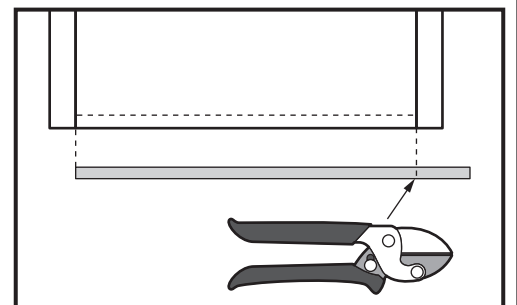
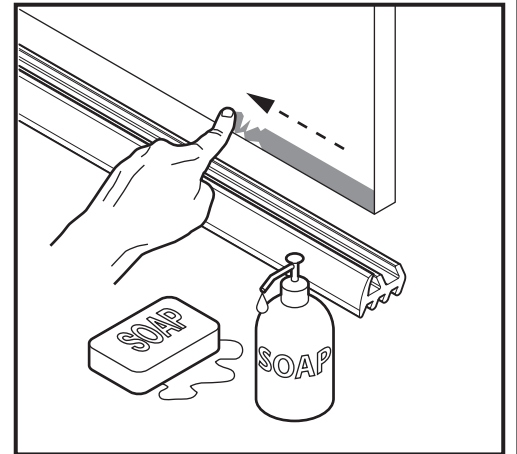
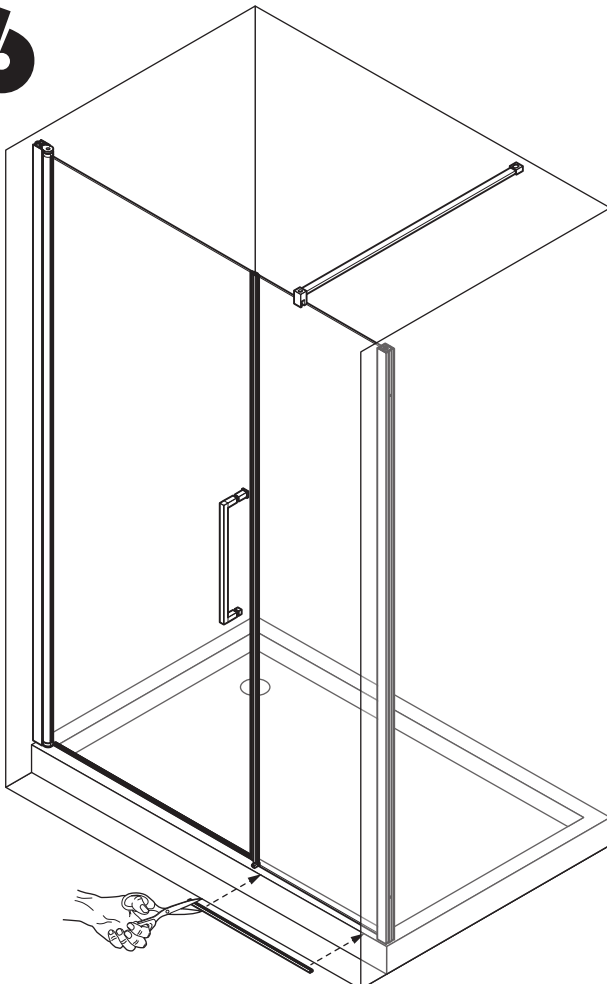
# 14



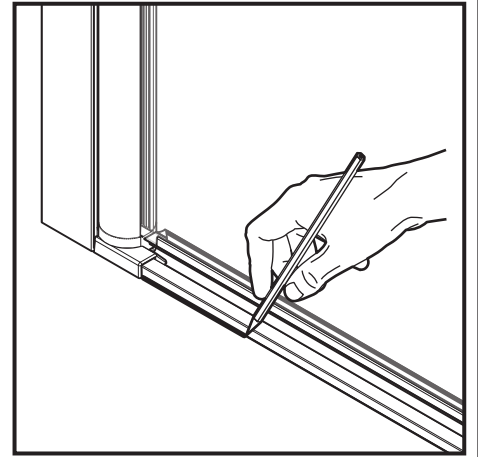
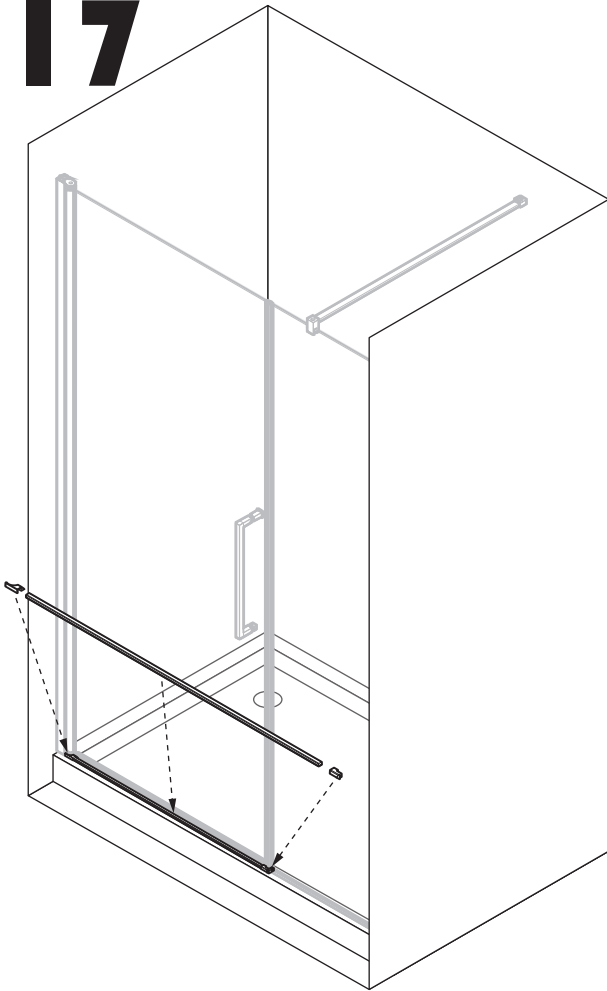
# 15



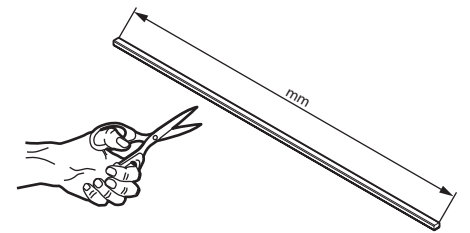
# 16



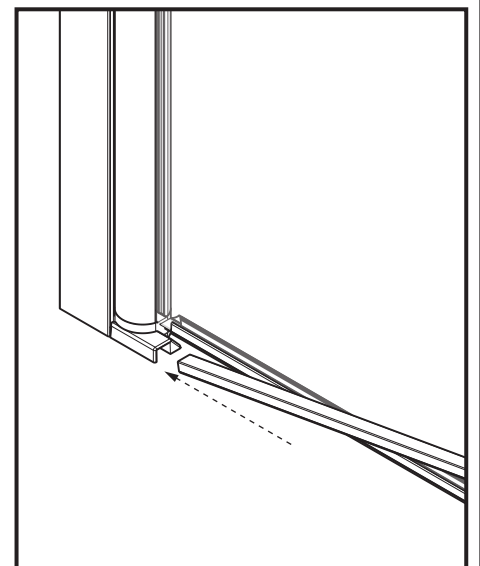
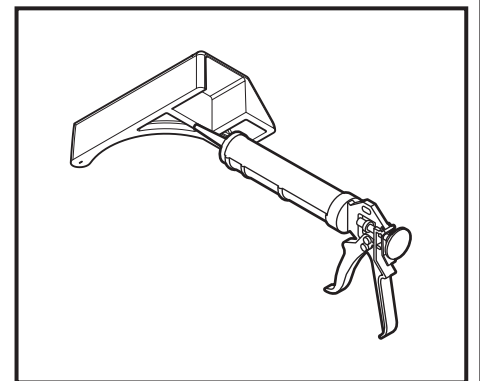
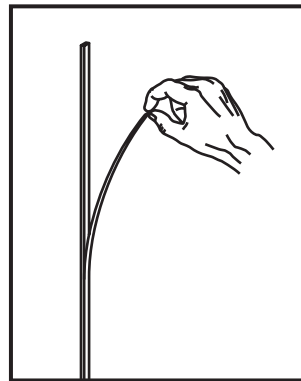
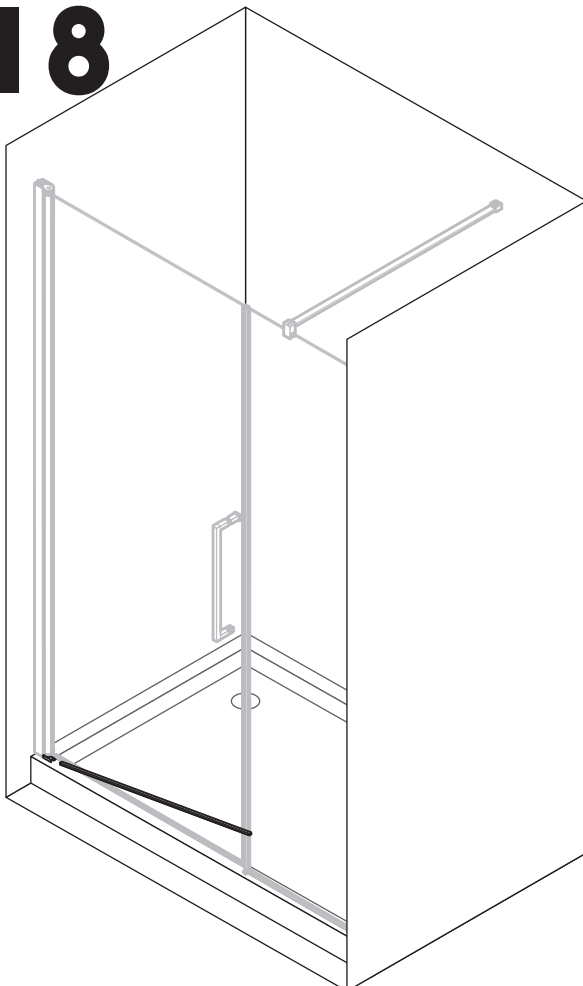
# 17



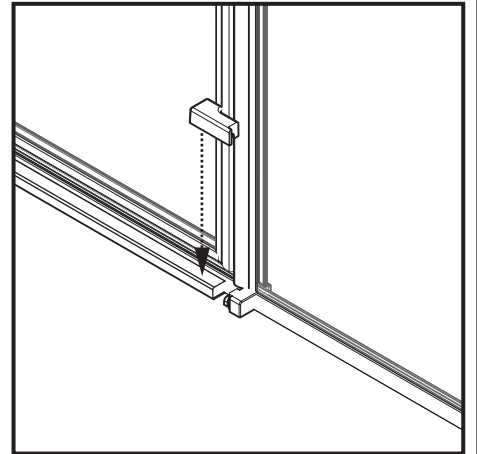
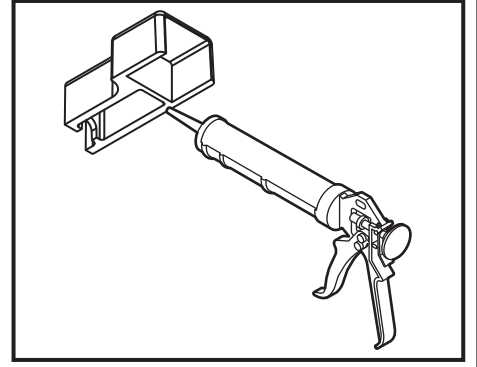
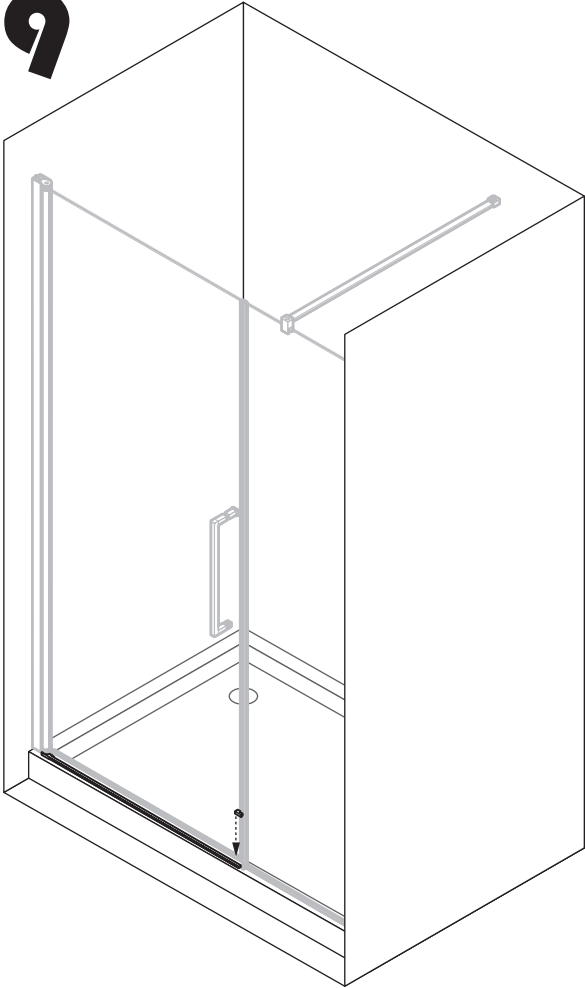
| G+FL    | mm<br>(Est.-98mm) |
|---------|-------------------|
| 97-101  | 572               |
| 114-118 | 642               |
| 117-121 | 672               |
| 137-141 | 772               |
| 147-151 | 872               |
| 157-161 | 872               |
| 167-171 | 872               |
| 177-181 | 872               |



# 18



# 19



# 20

