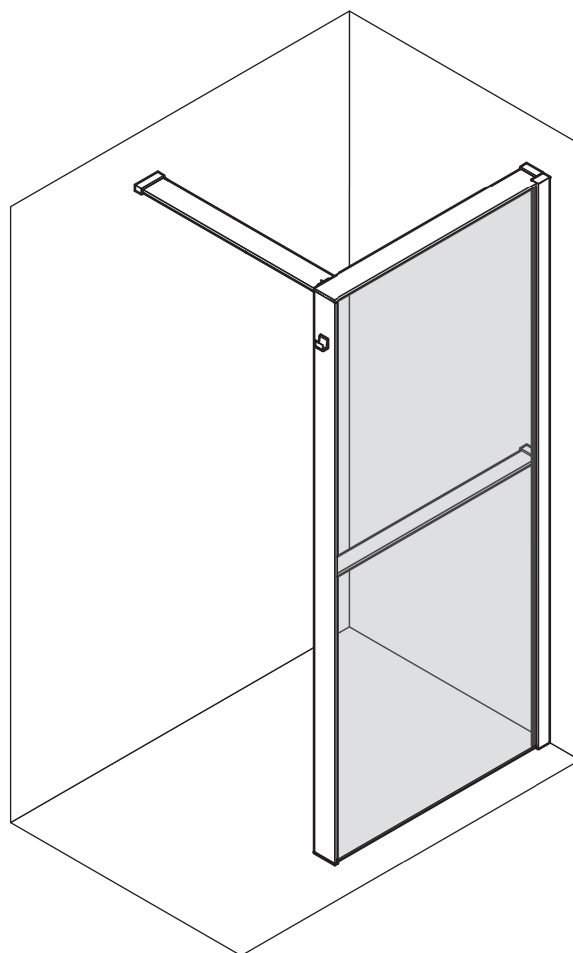
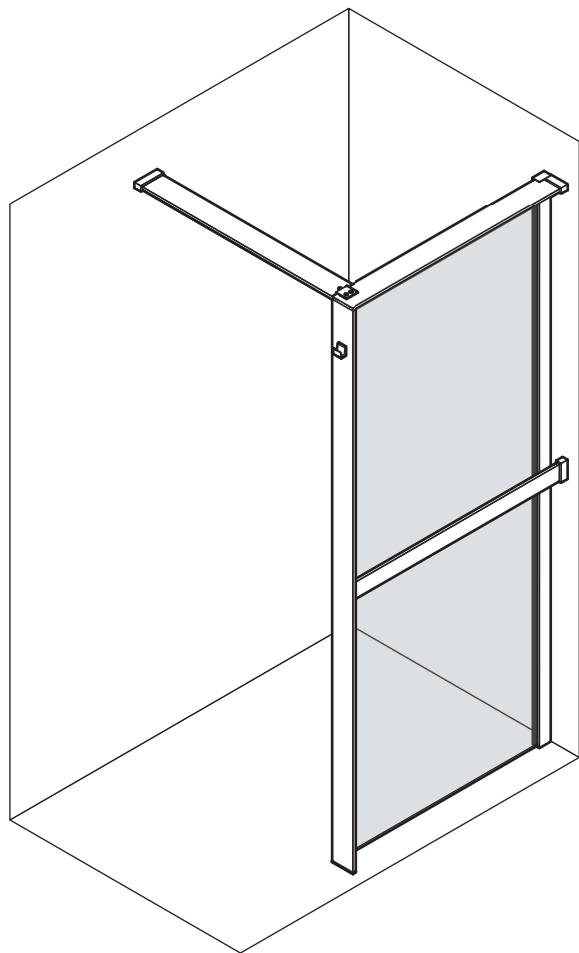


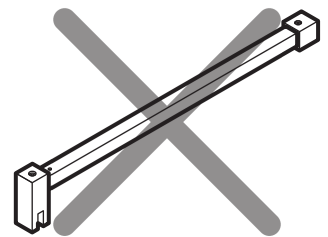
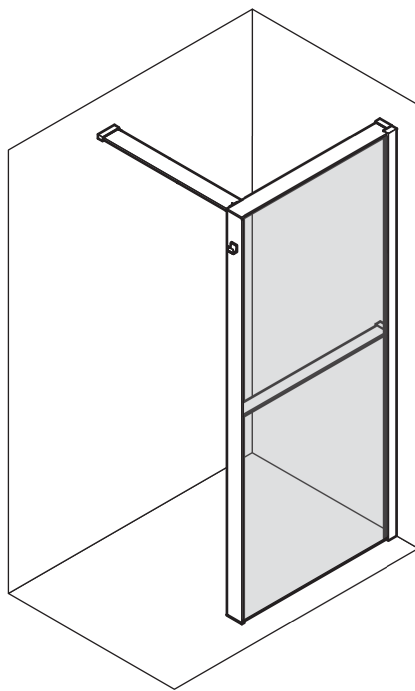
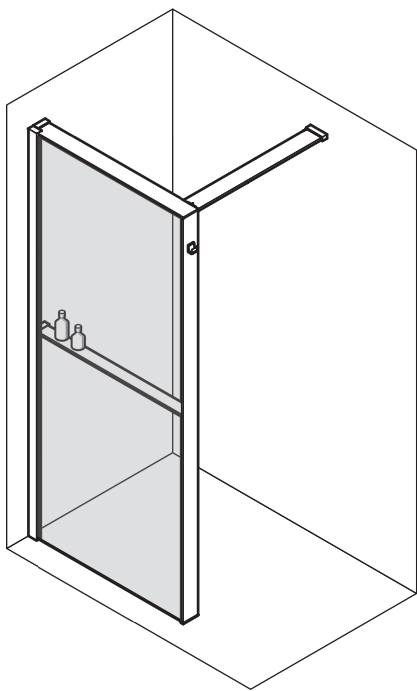
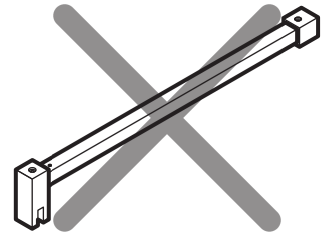
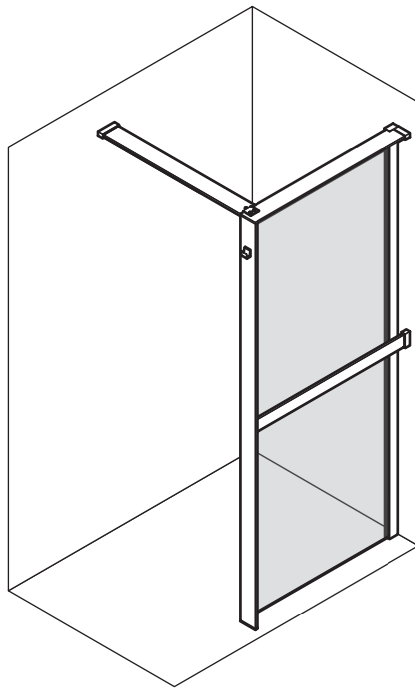
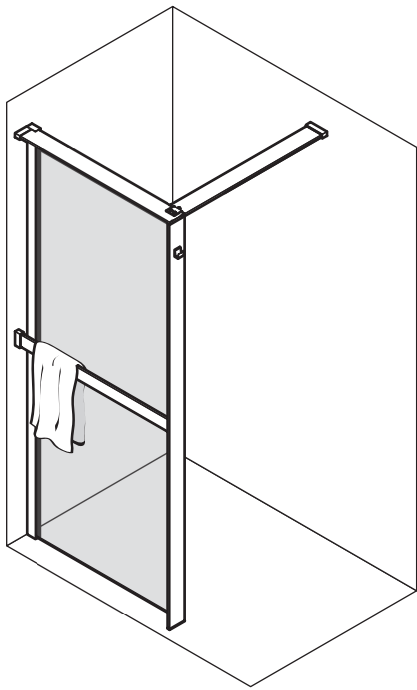
**FRAME**

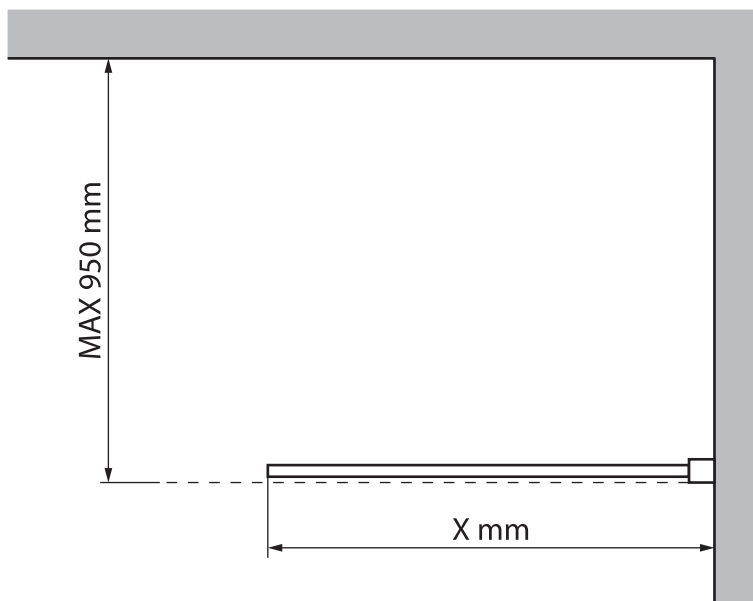
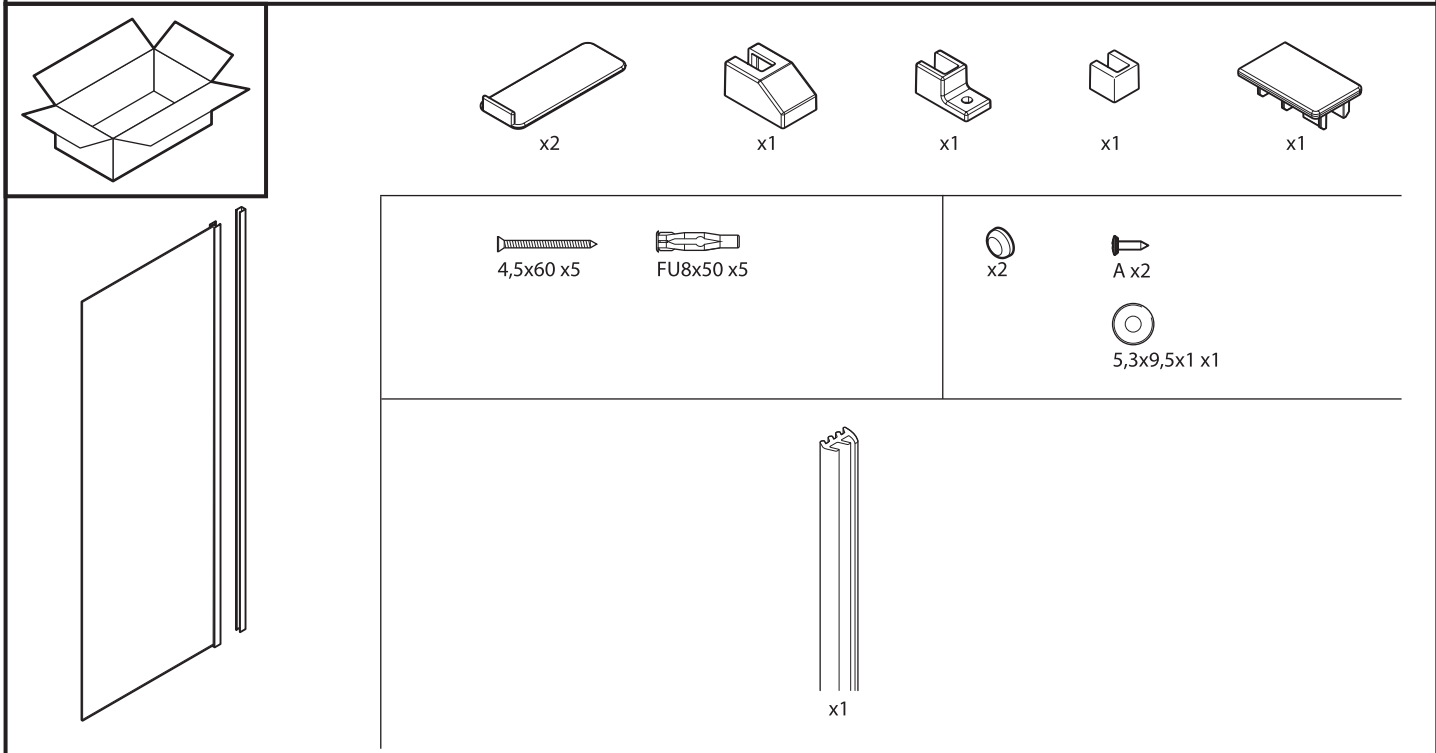
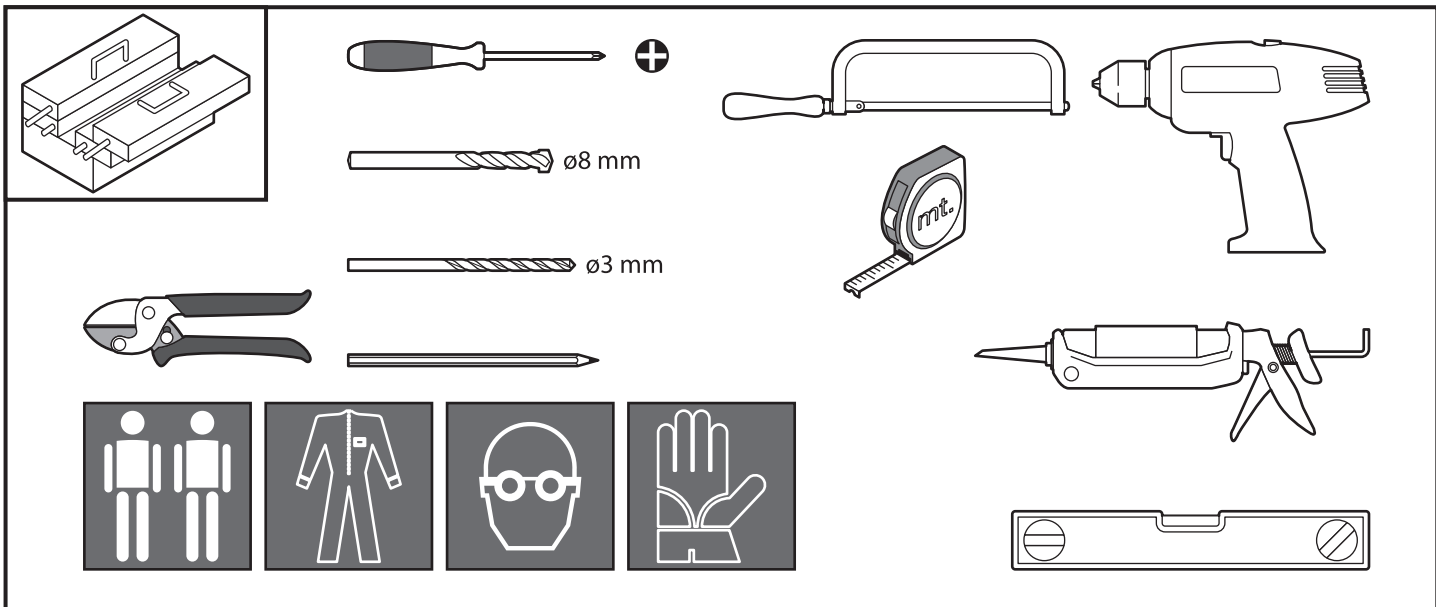
 **NOVELLINI**

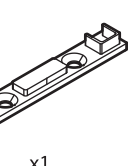
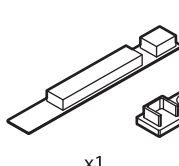
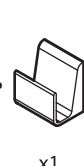
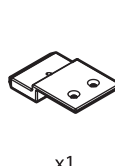
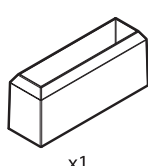
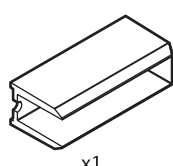
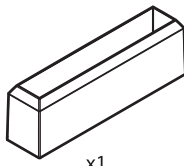
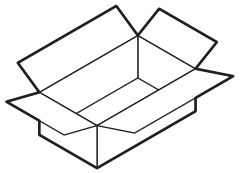
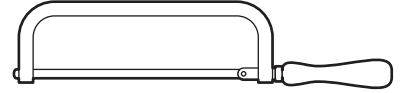
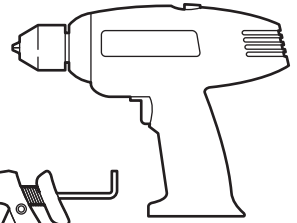
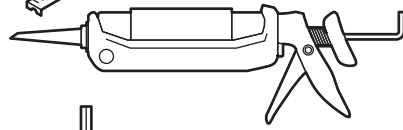
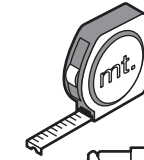
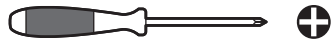
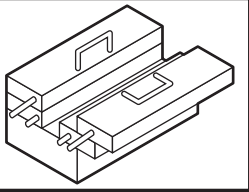
**HWS**



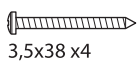
<hr/> <hr/> <hr/> <hr/>	<hr/> <hr/> <hr/> <hr/>
-------------------------	-------------------------







FU8x50 x4



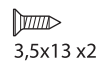
3,5x38 x4



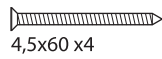
3,5x9,5 x3



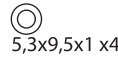
M4x18 x1



3,5x13 x2



4,5x60 x4



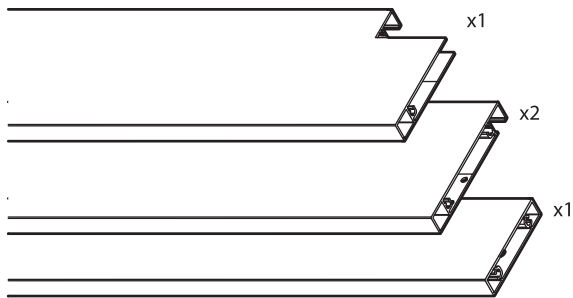
5,3x9,5x1 x4

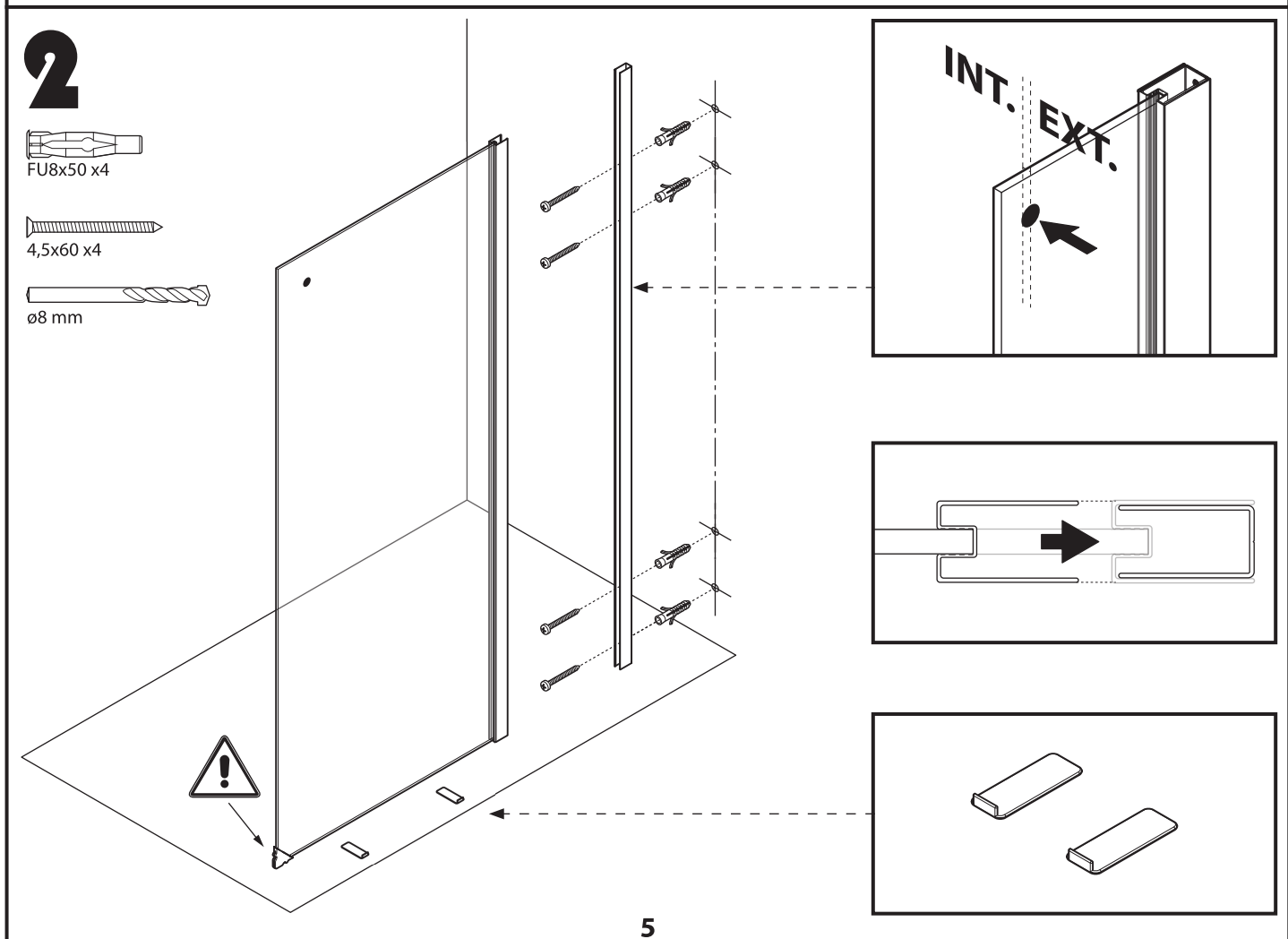
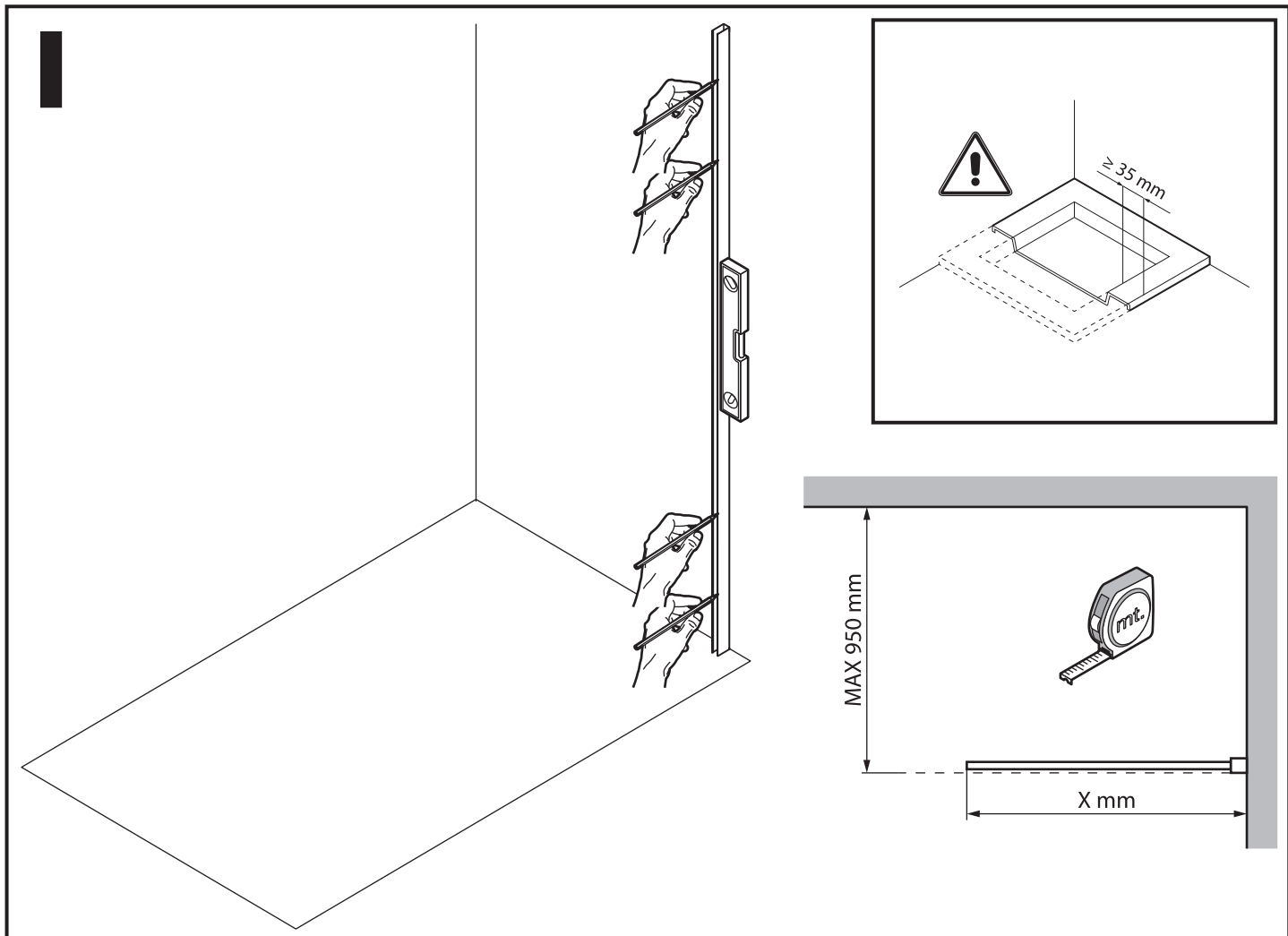


M4x6 x3

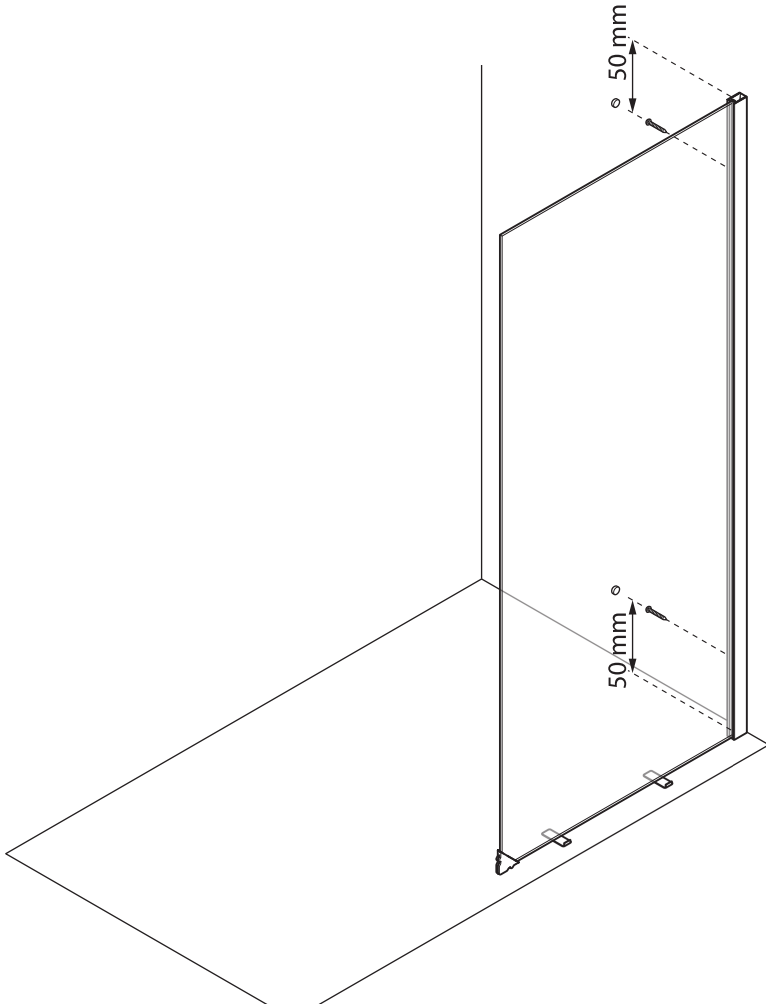


x3

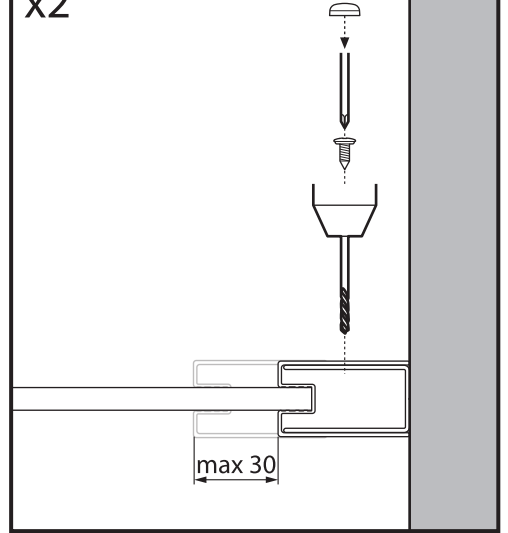




# 3



x2



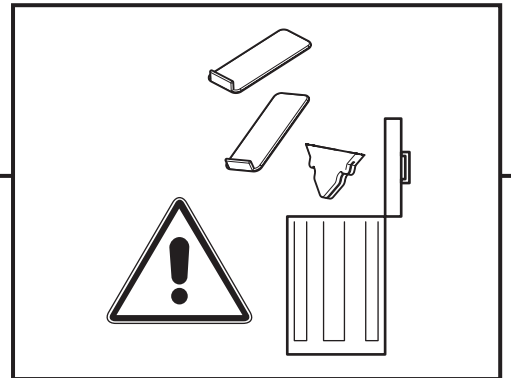
ø3 mm



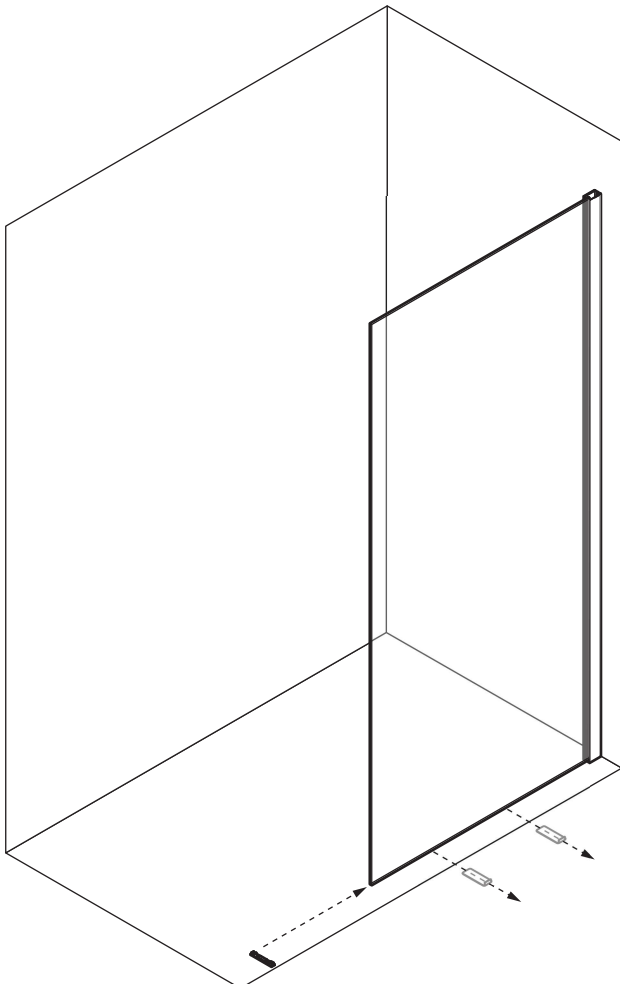
x2



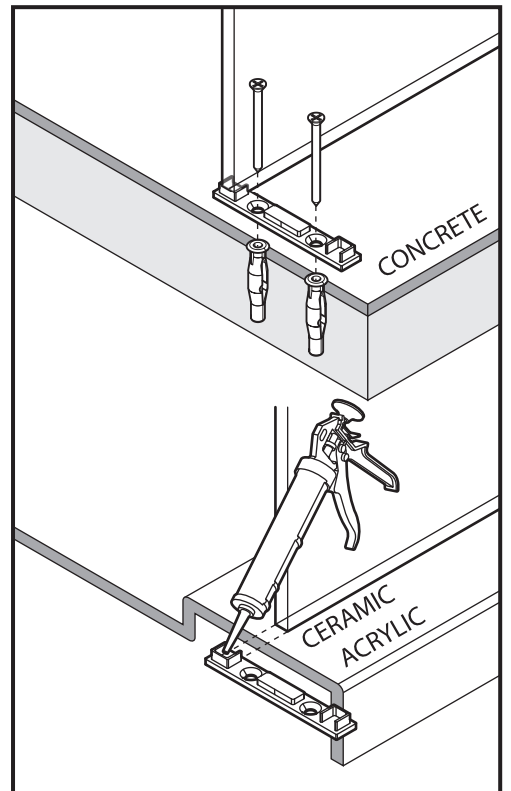
3,5x9,5 x2



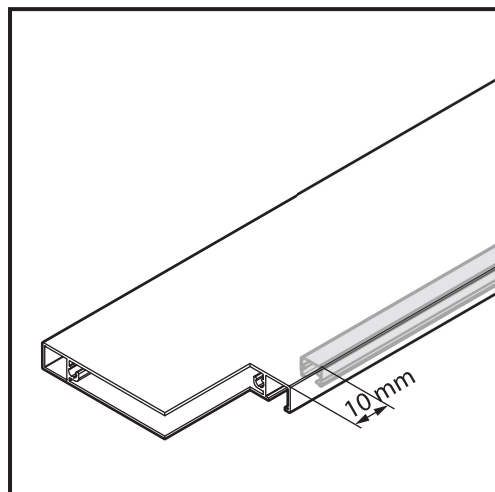
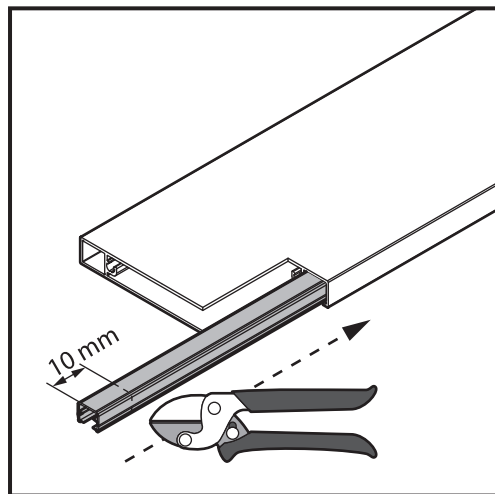
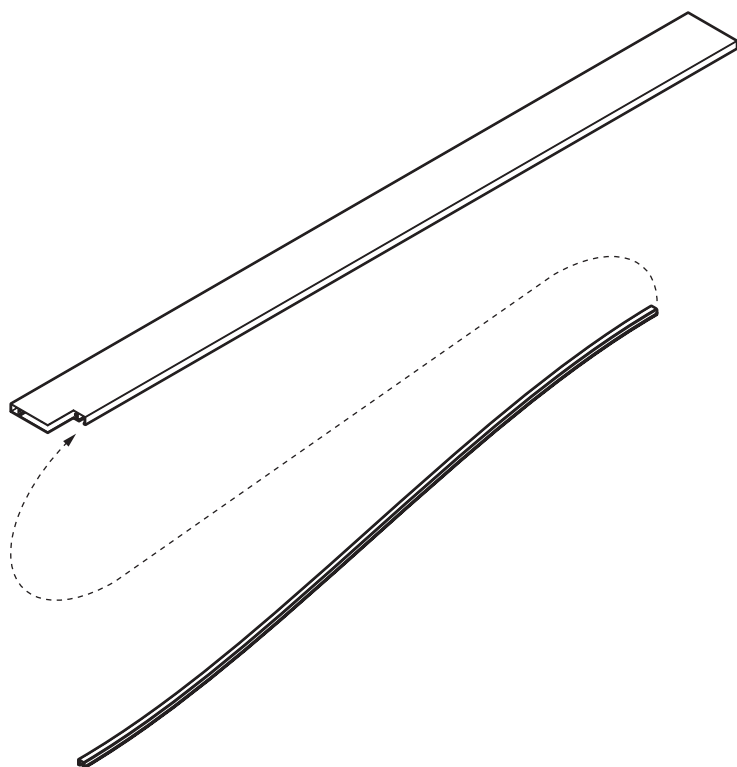
# 4



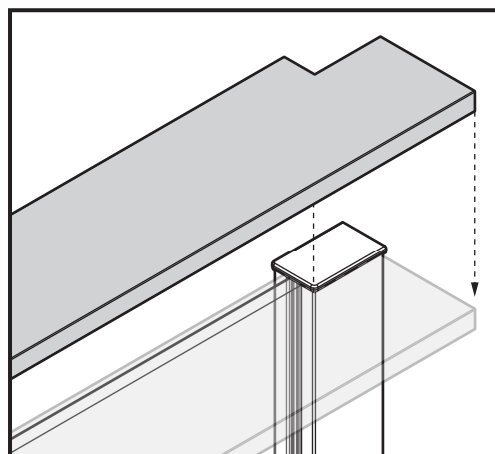
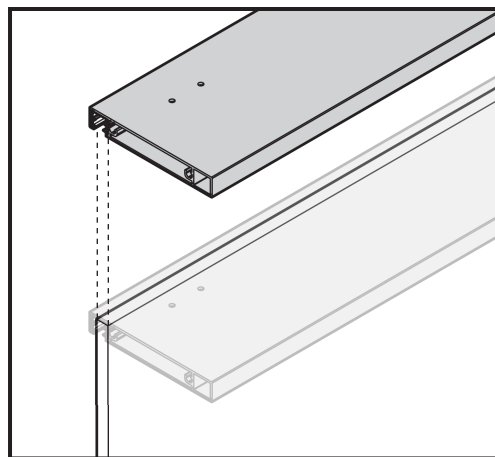
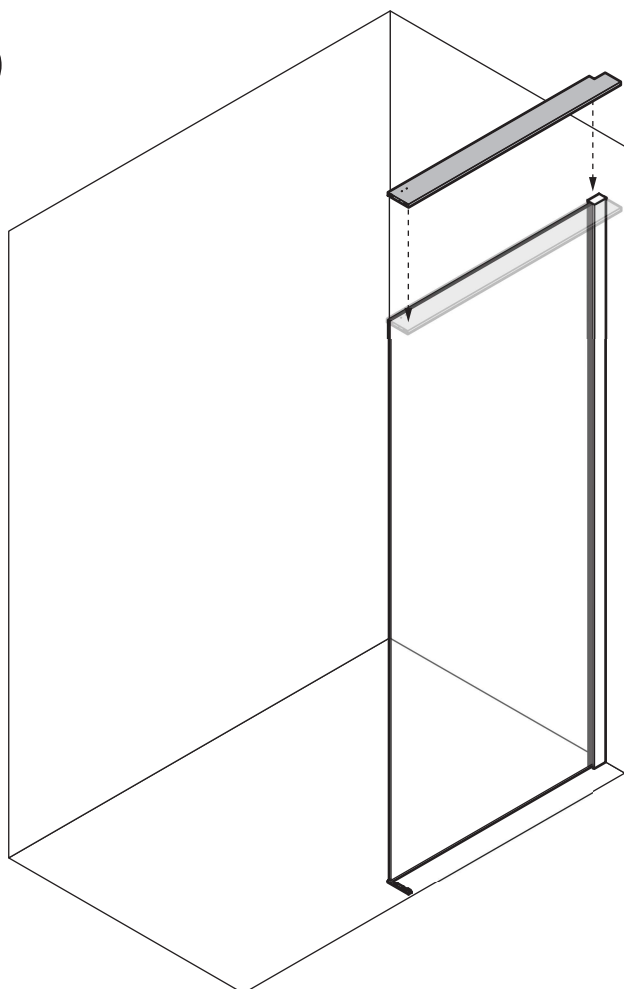
6



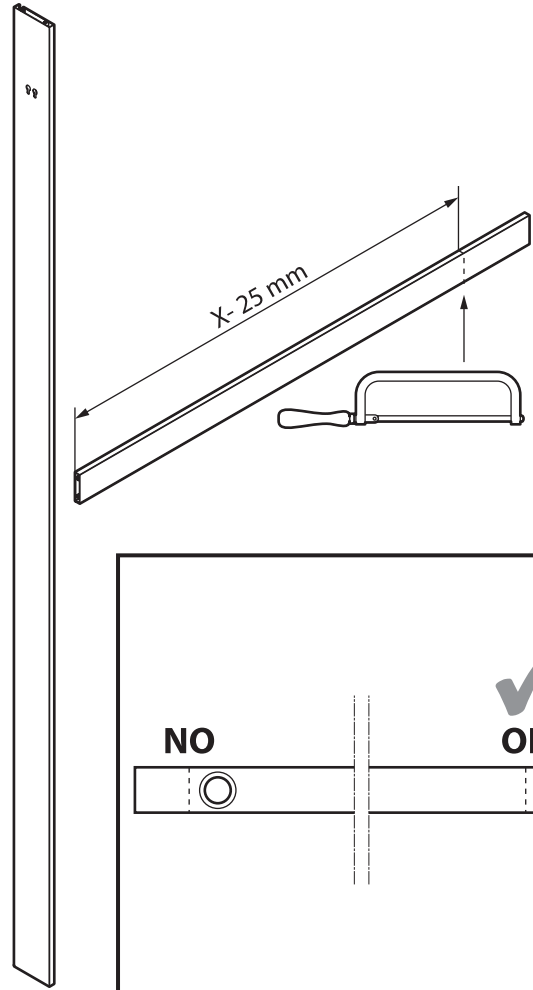
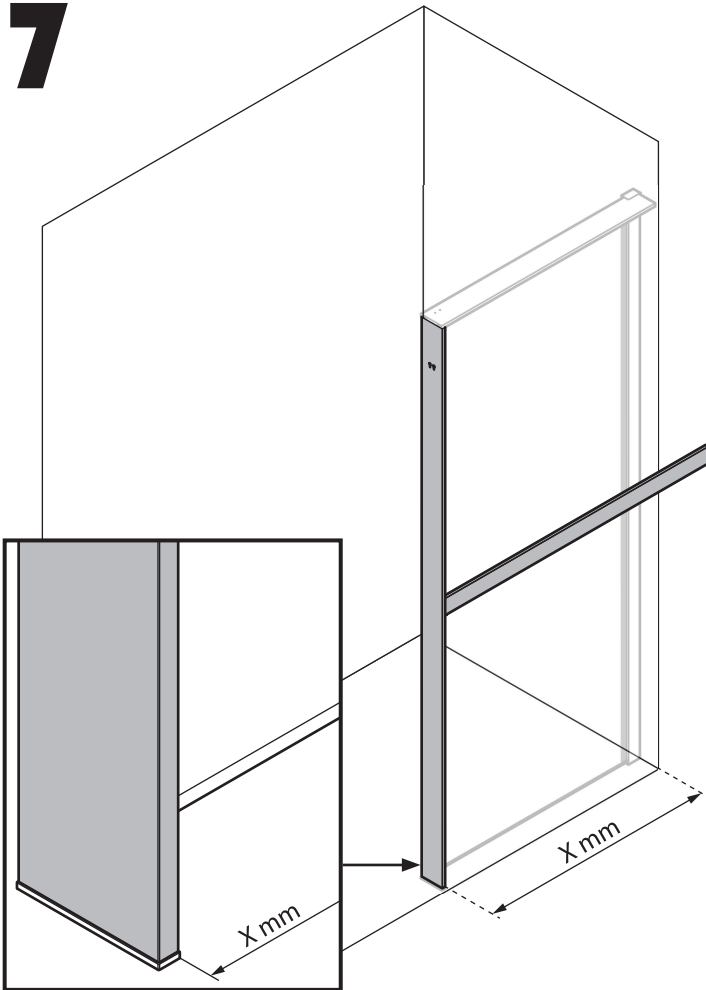
**5**



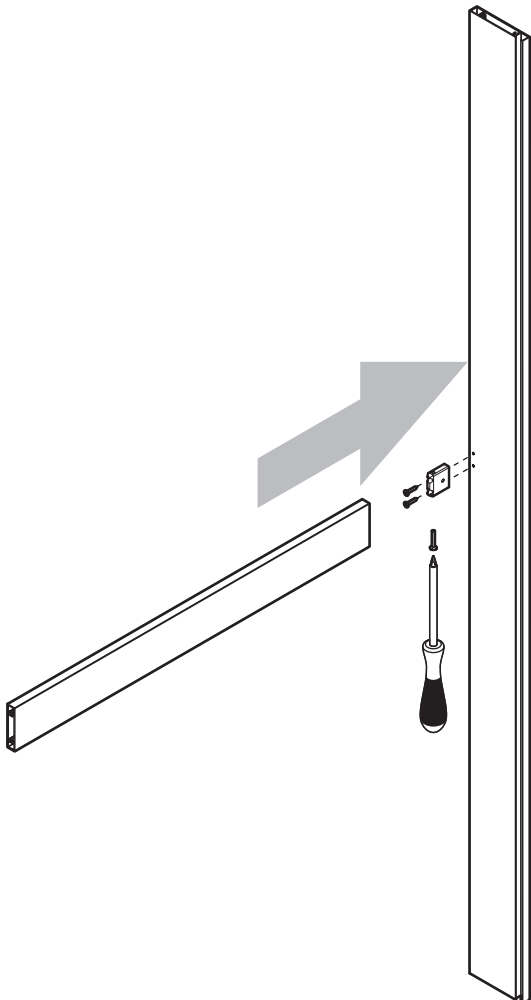
**6**



# 7

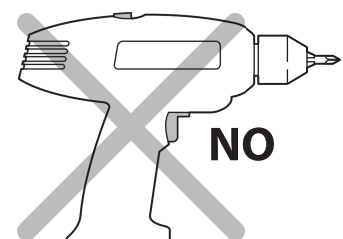
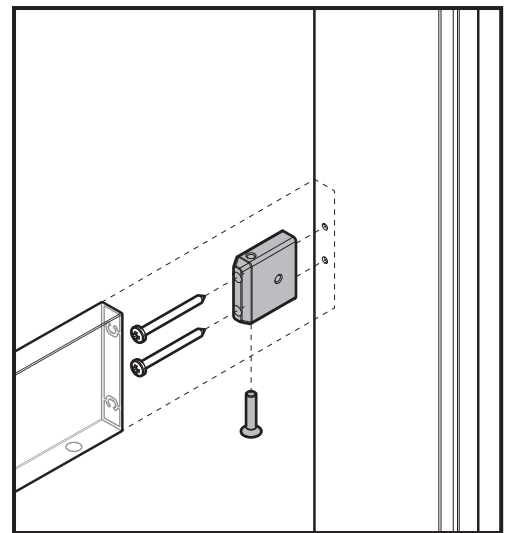


# 8



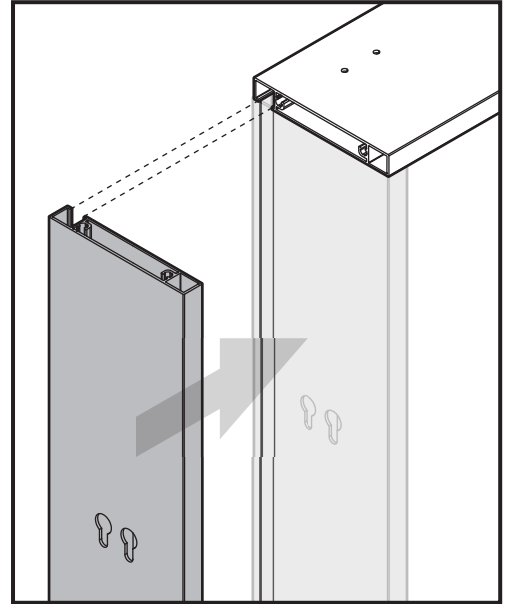
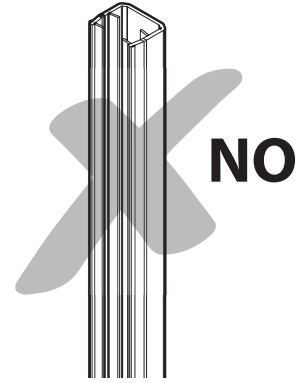
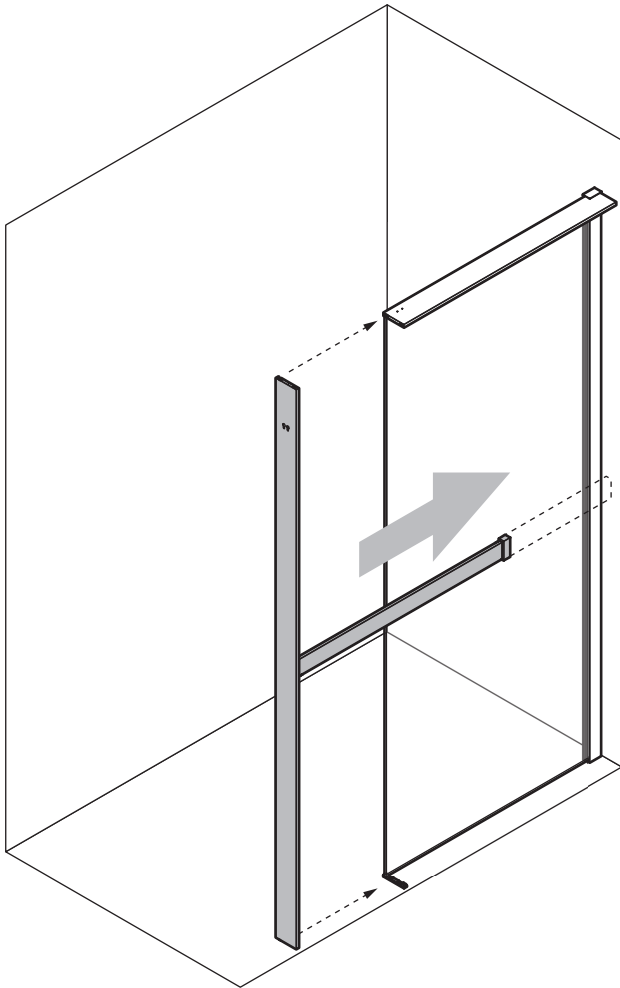
3,5x38 x2

M4x18 x1

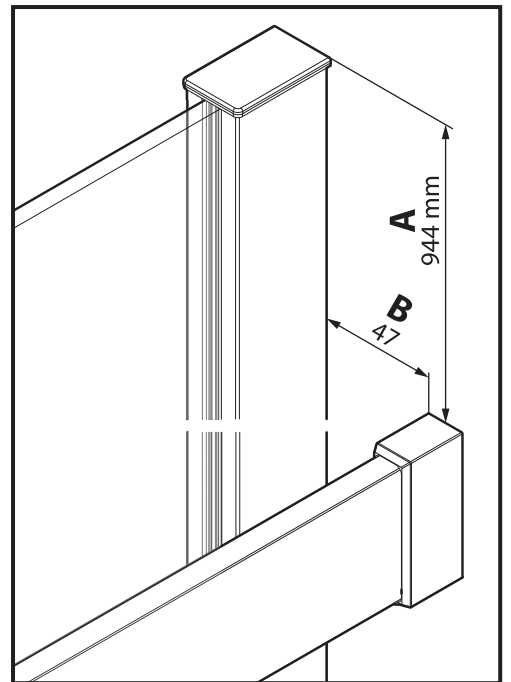
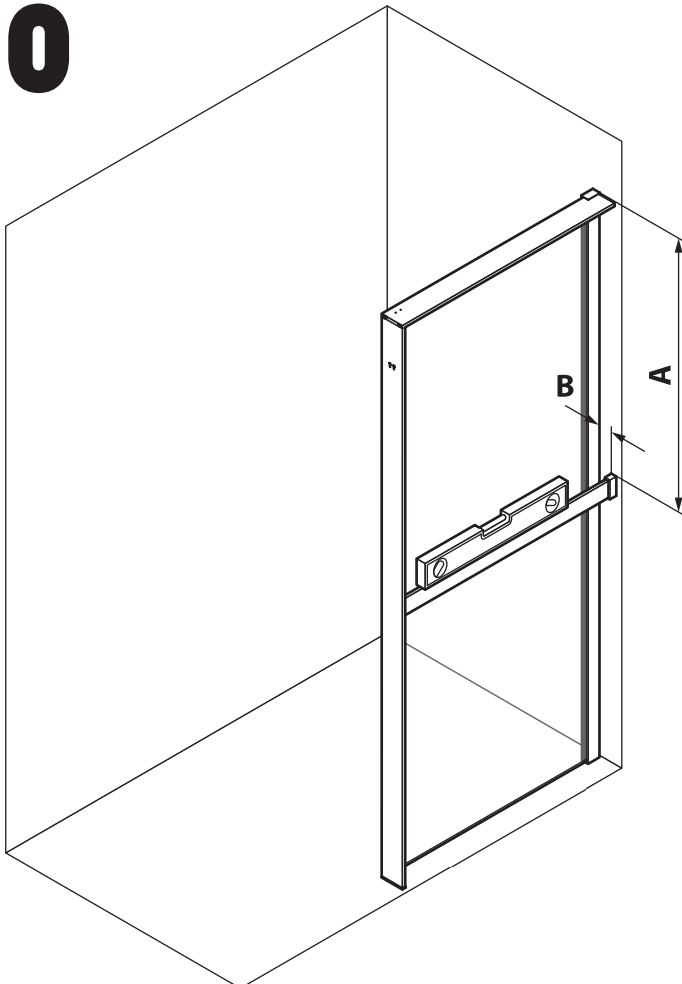




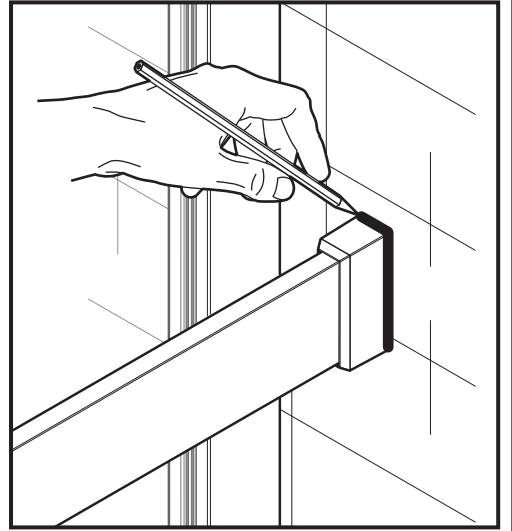
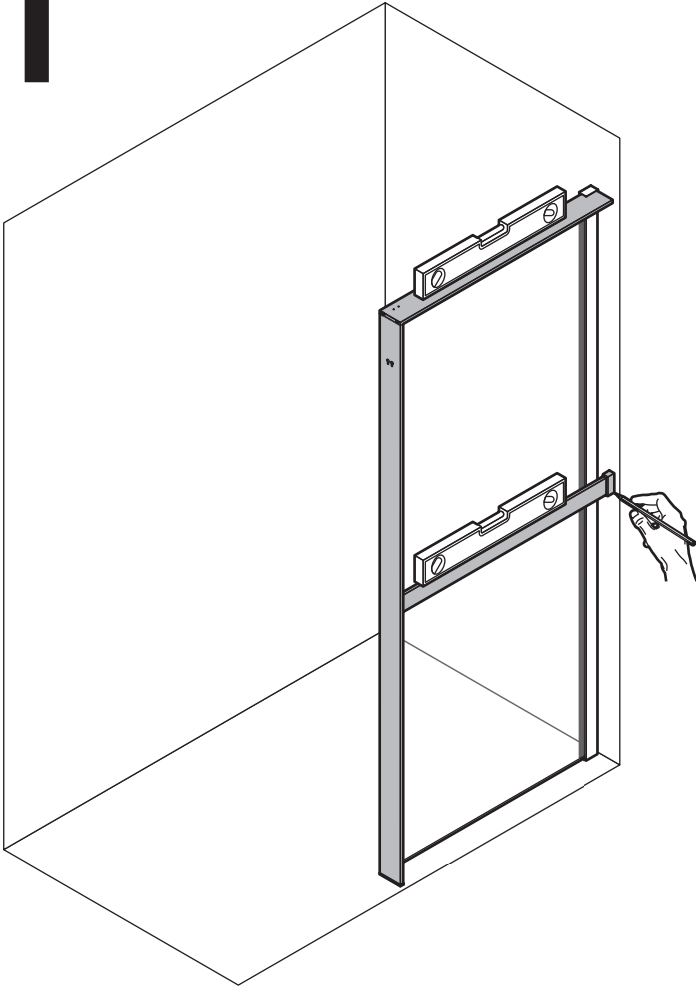
9



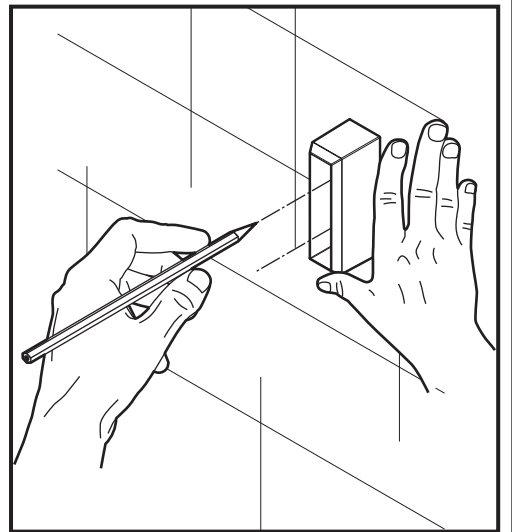
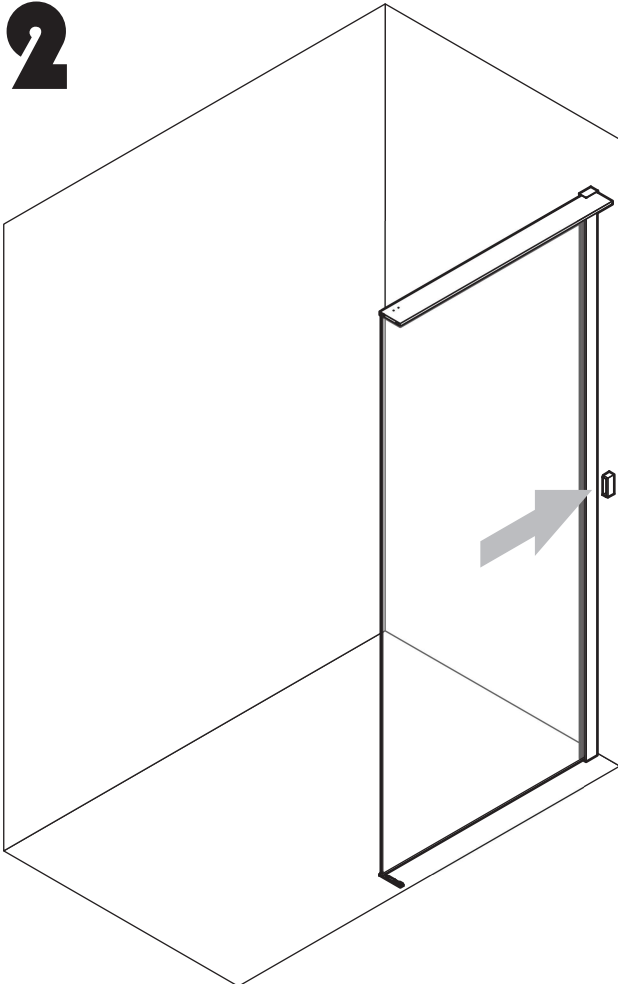
10



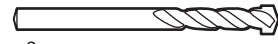
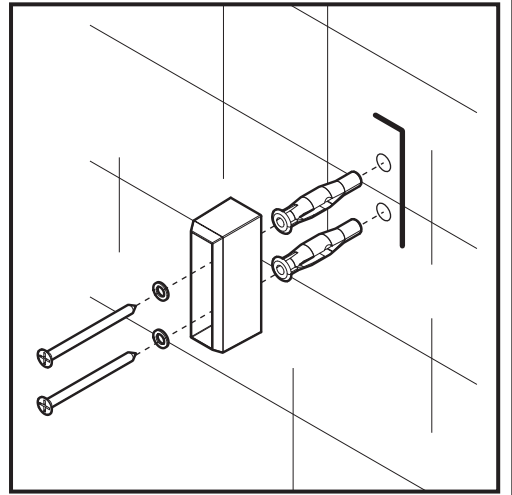
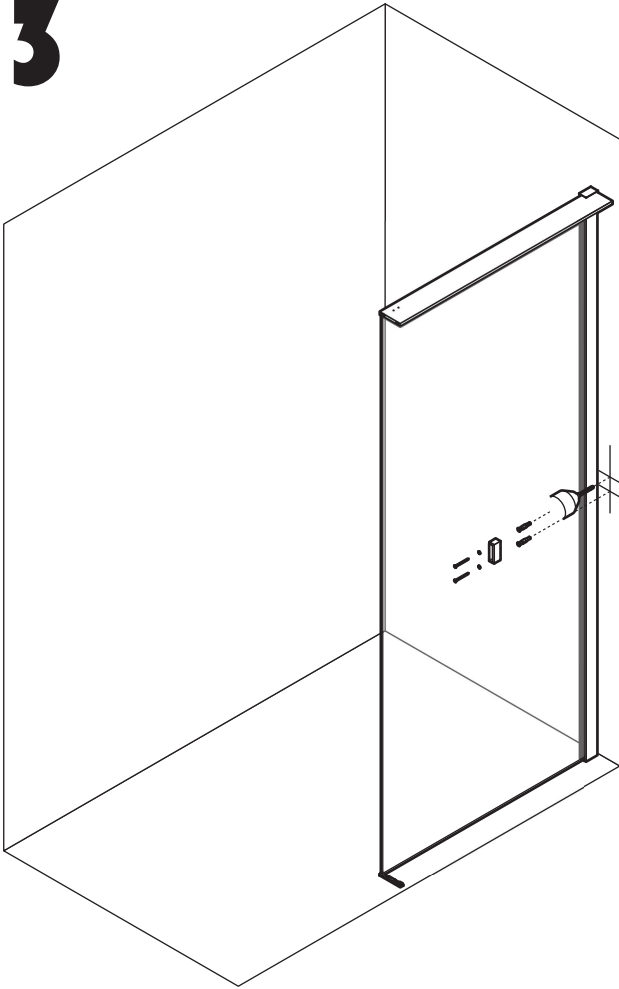
11



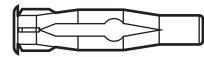
12



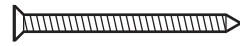
# 13



ø8 mm



FU8x50 x2

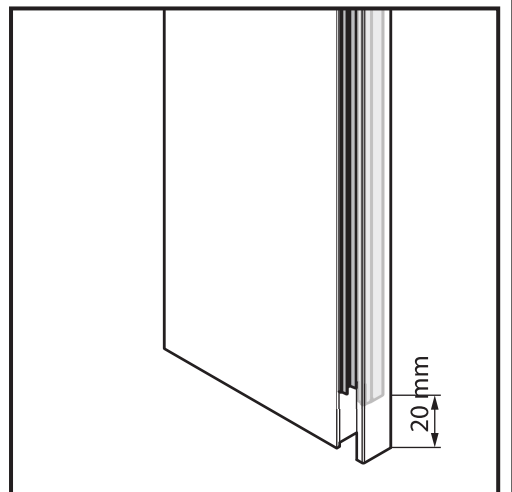
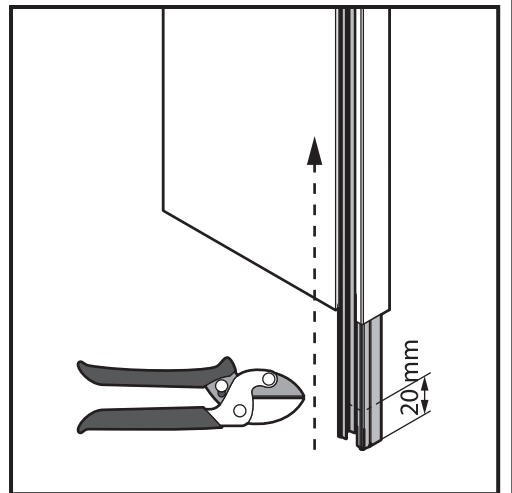
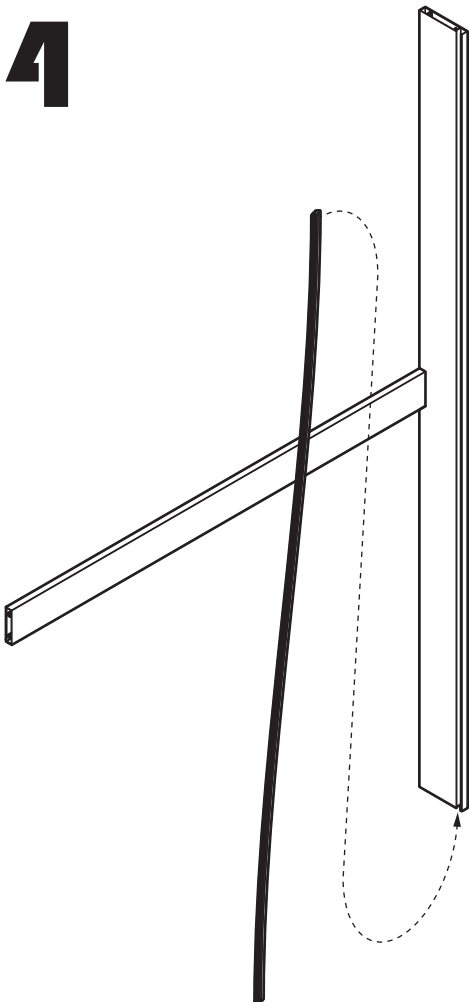


4,5x60 x2

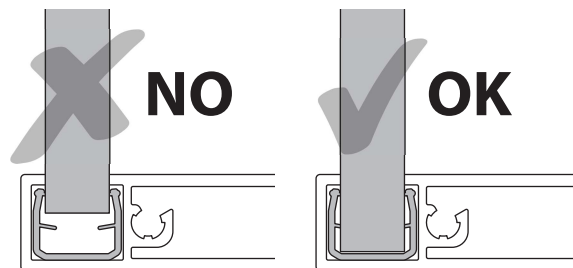
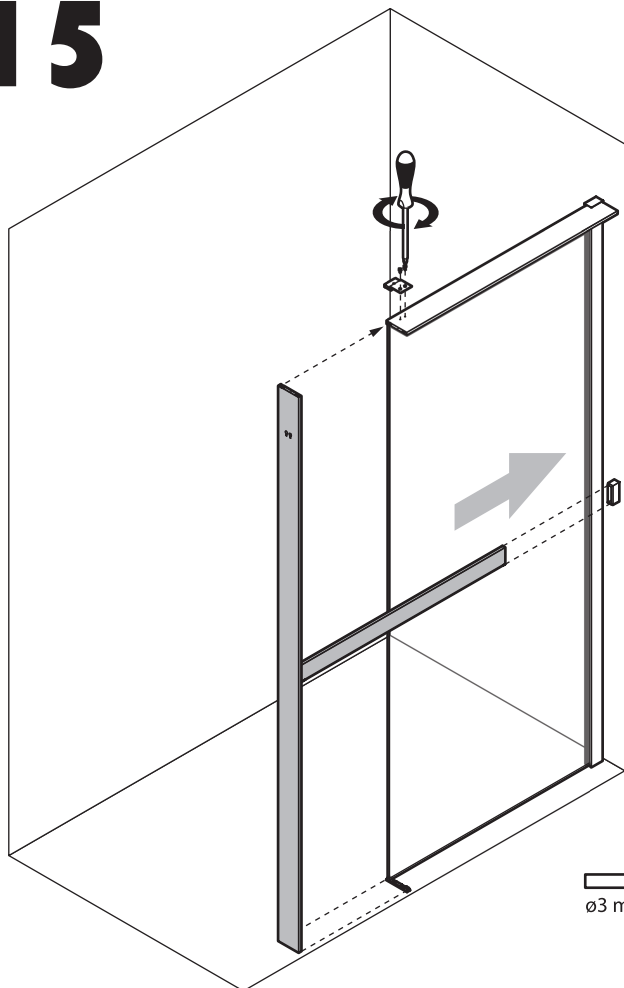


5,3x9,5x1 x2

# 14



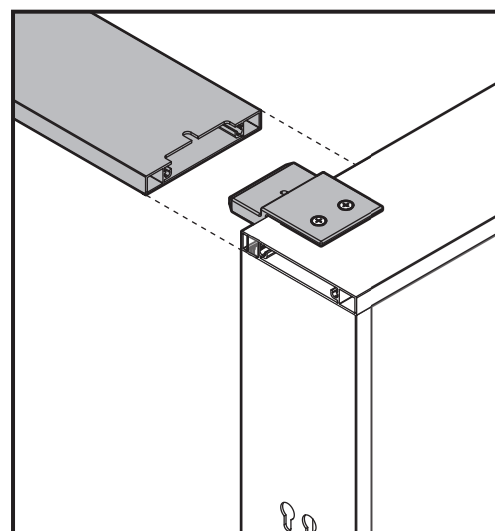
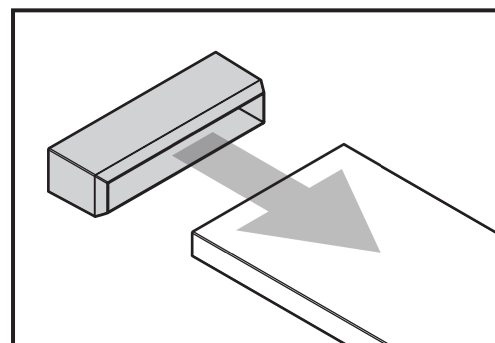
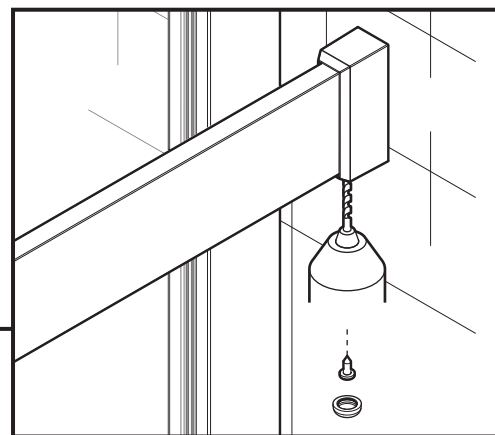
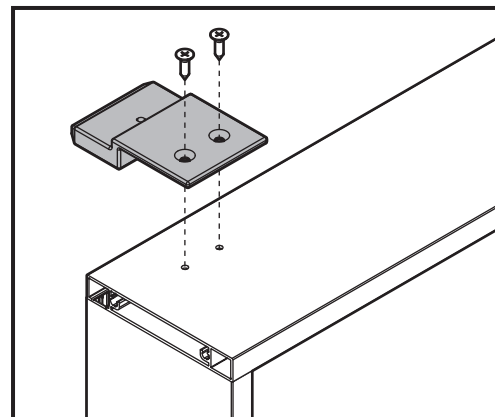
# 15



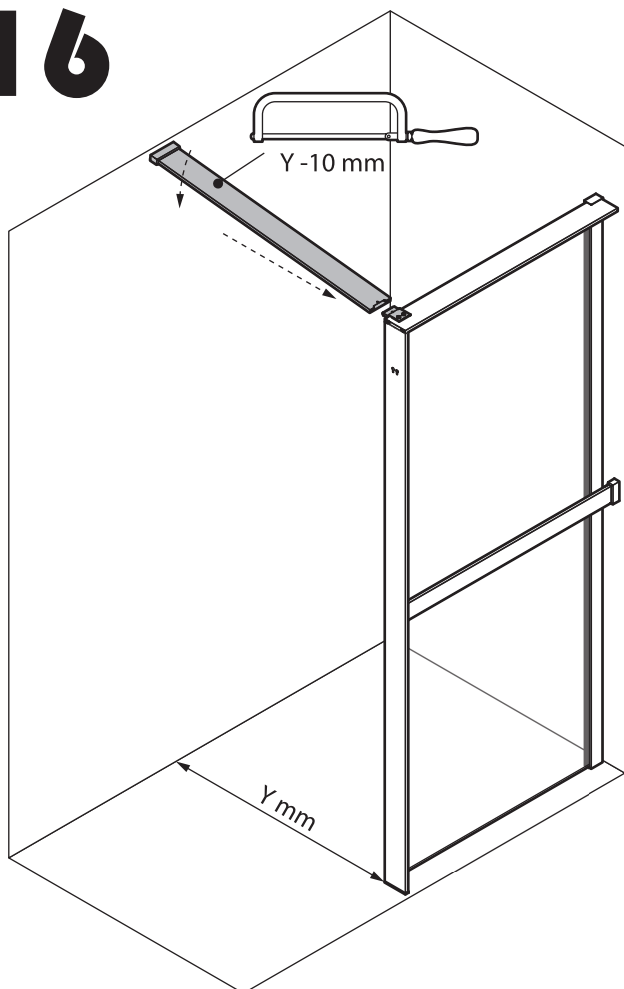
 3,5x13 x2

 ø3 mm

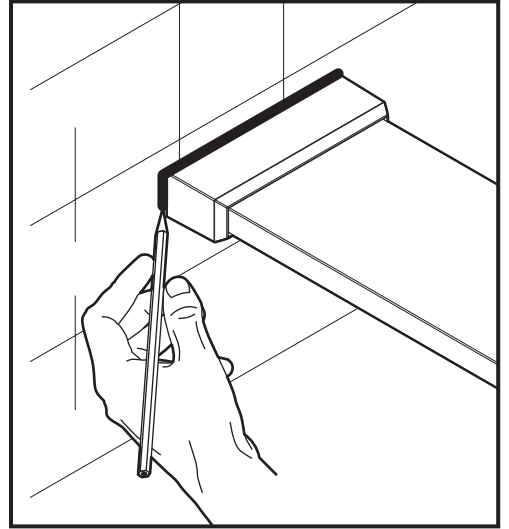
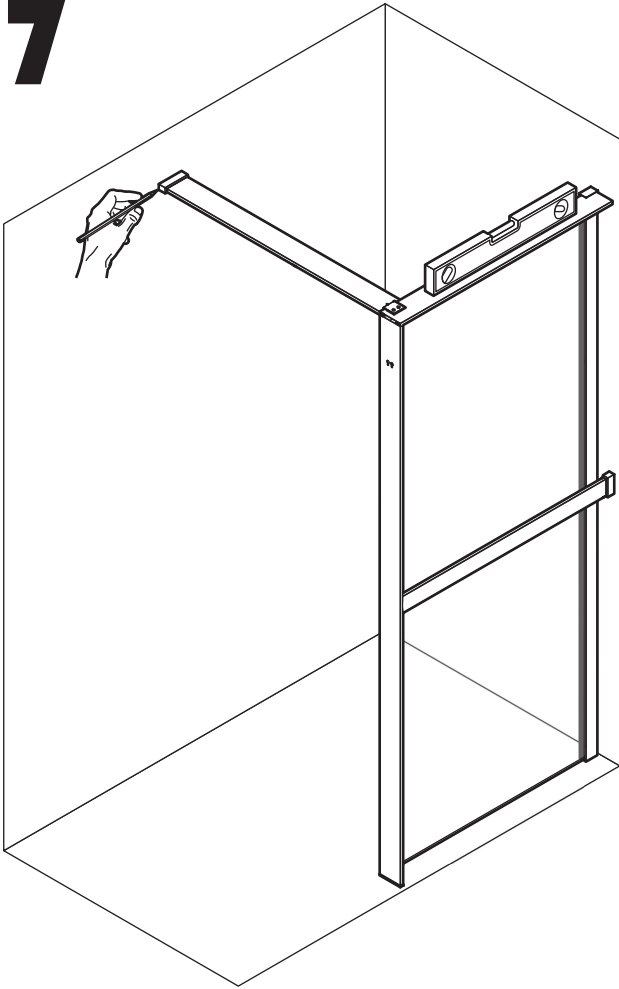
 x1  3,5x9,5 x1



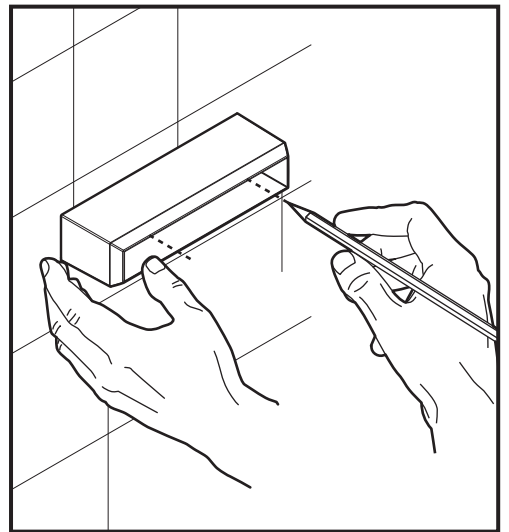
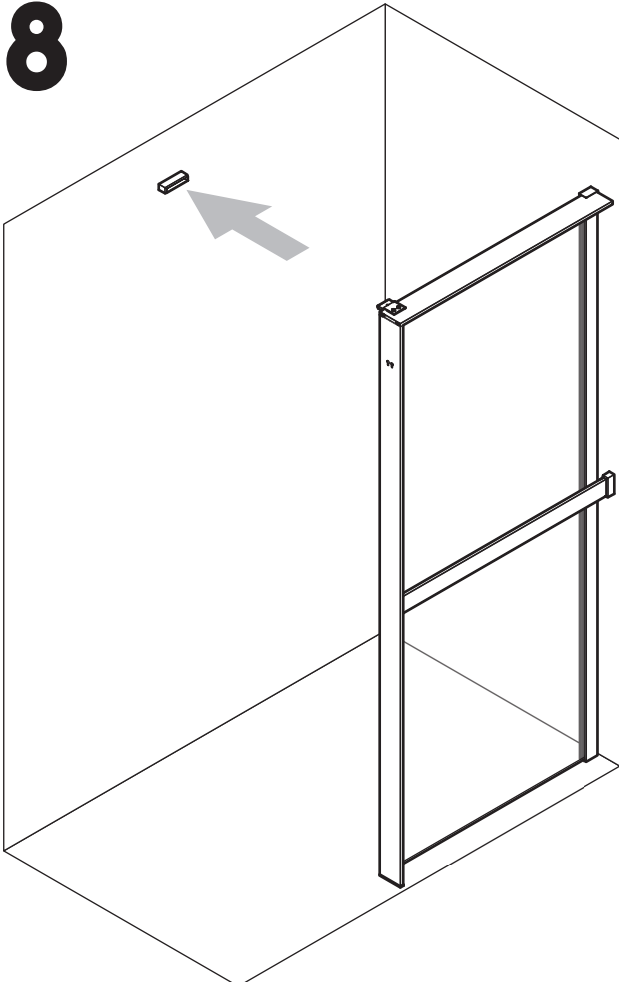
# 16



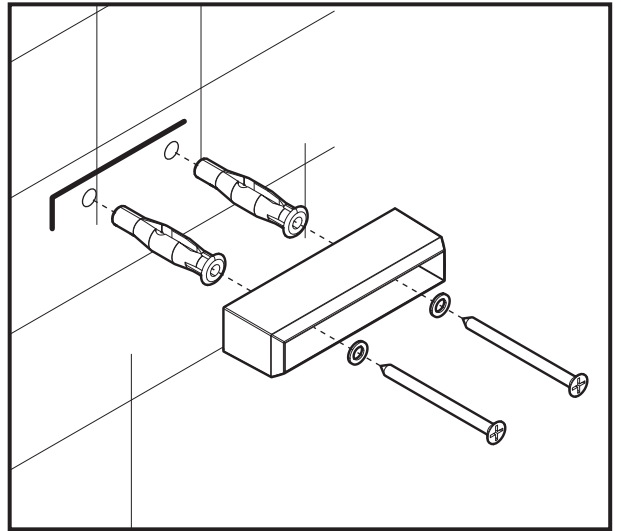
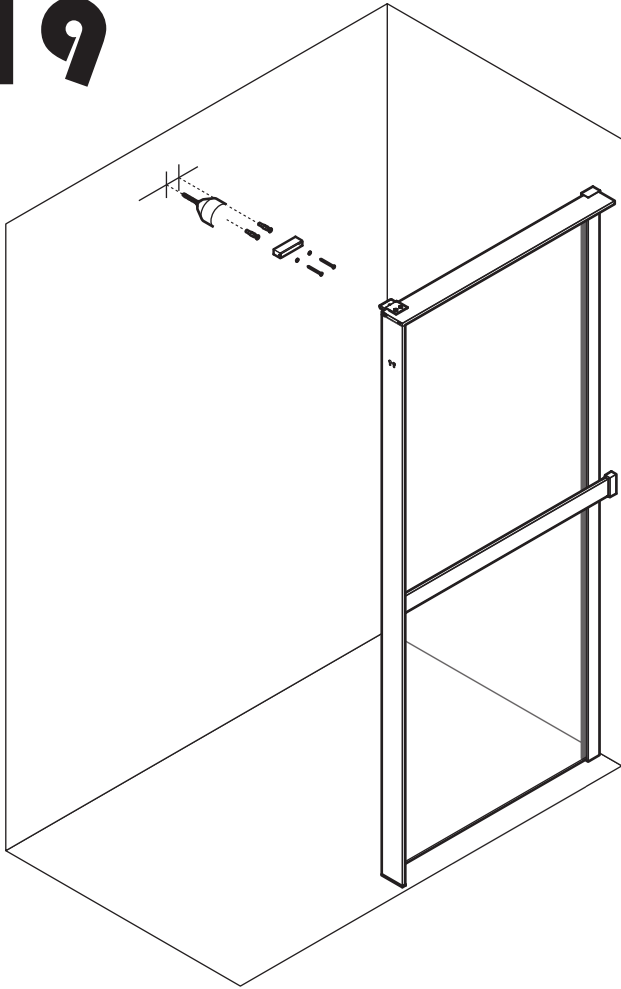
# 17



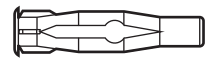
# 18



# 19



ø8 mm



FU8x50 x2

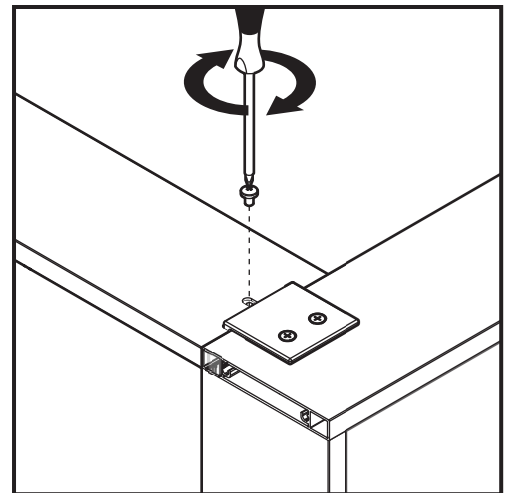
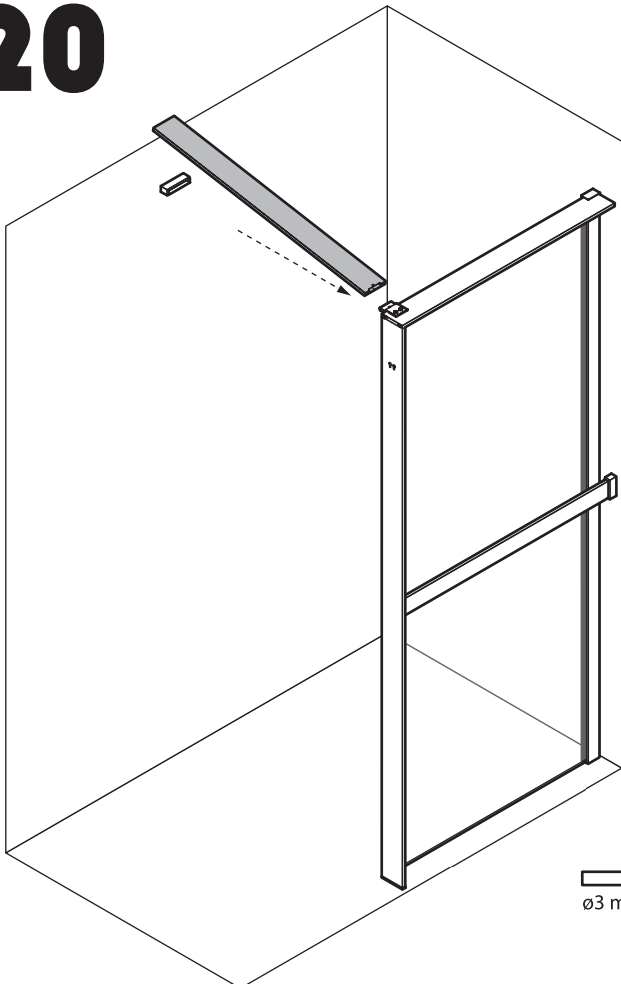


4,5x60 x2

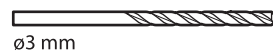
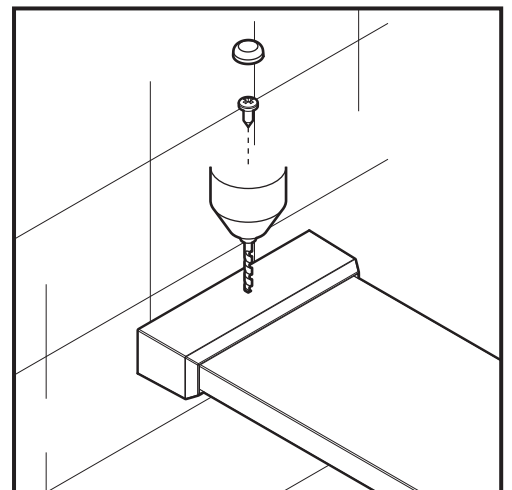


5,3x9,5x1 x2

# 20



M4x6 x1



ø3 mm

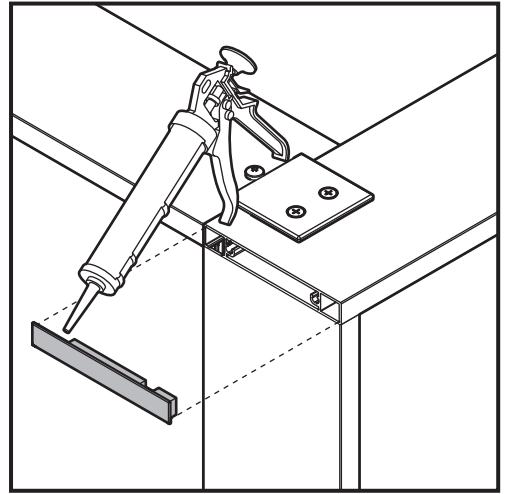
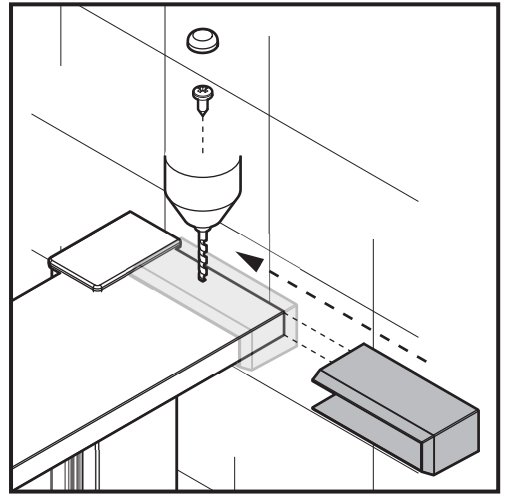
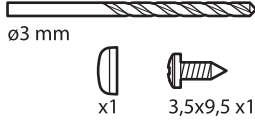
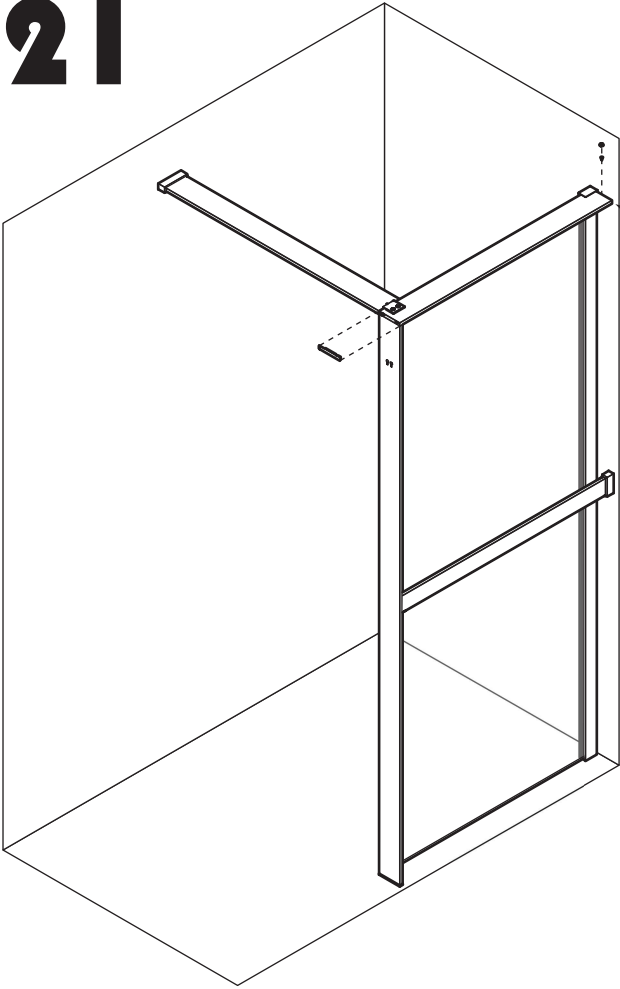


x1

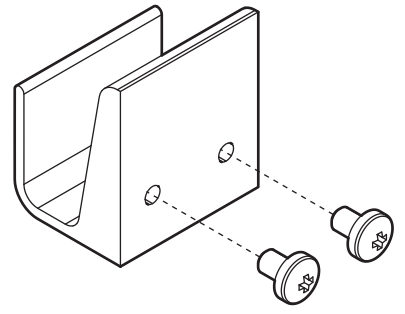
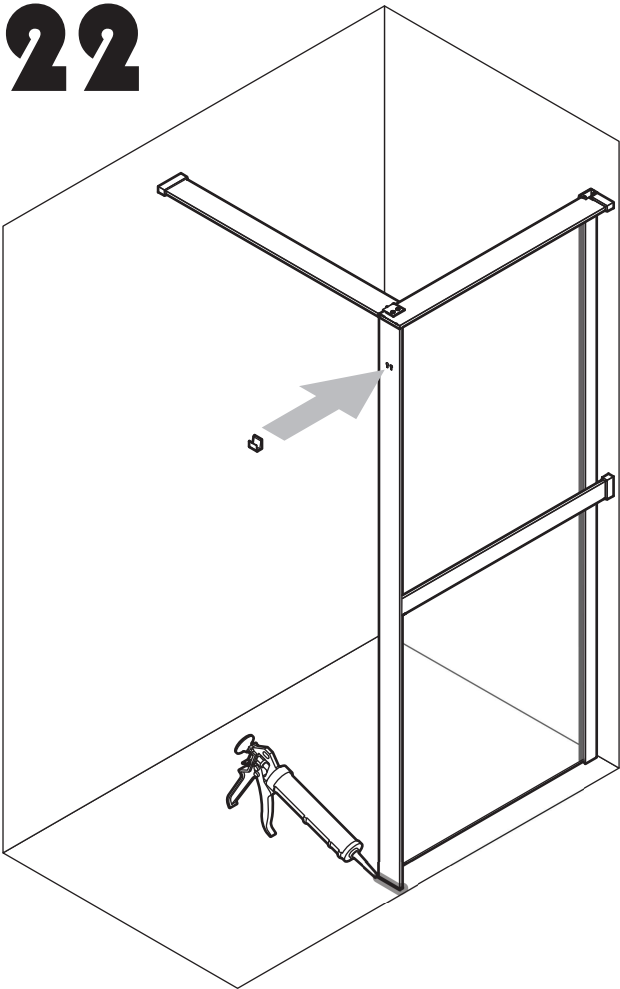


3,5x9,5 x1

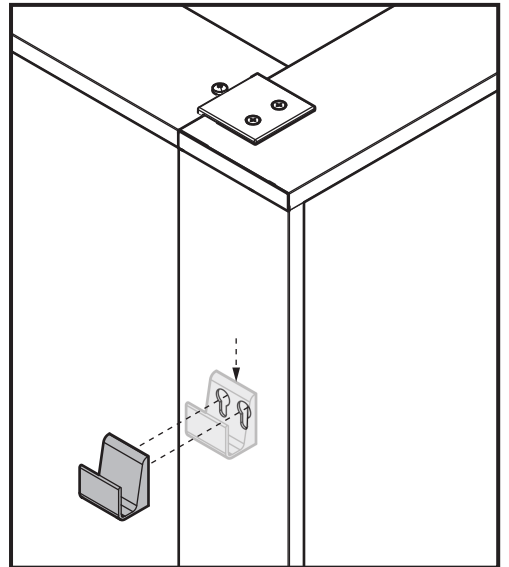
# 21



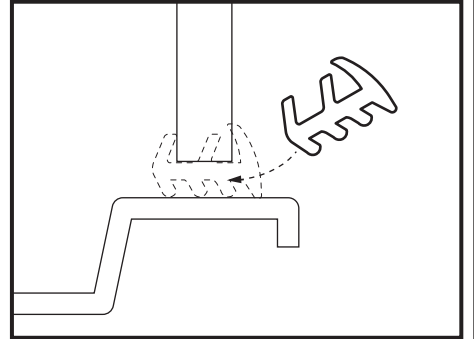
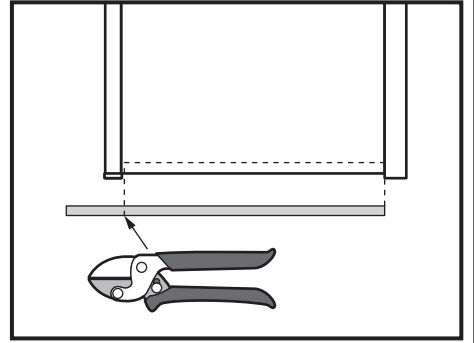
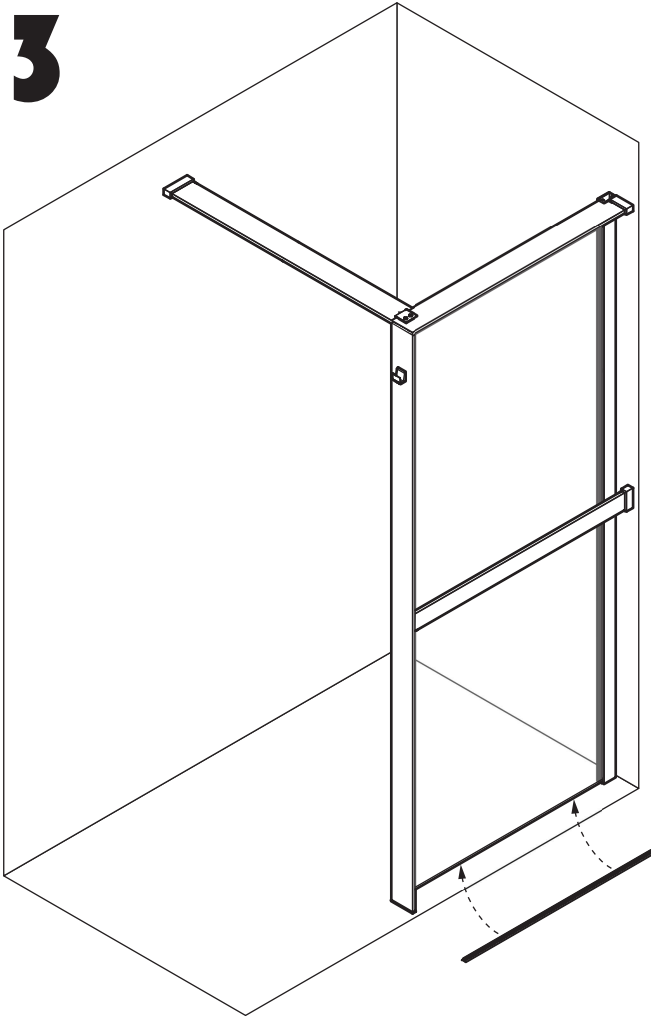
# 22



 M4x6 x2



# 23



# 24

