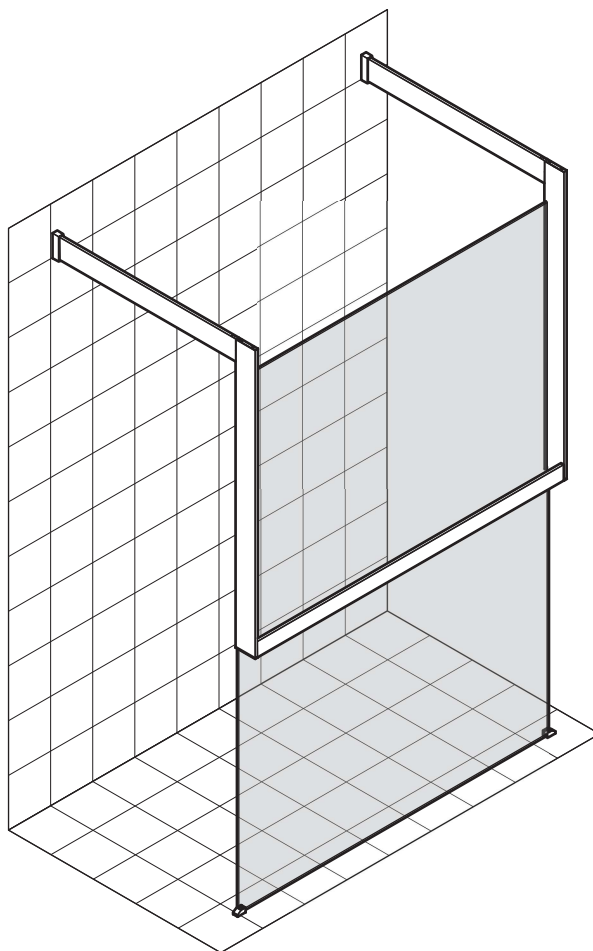
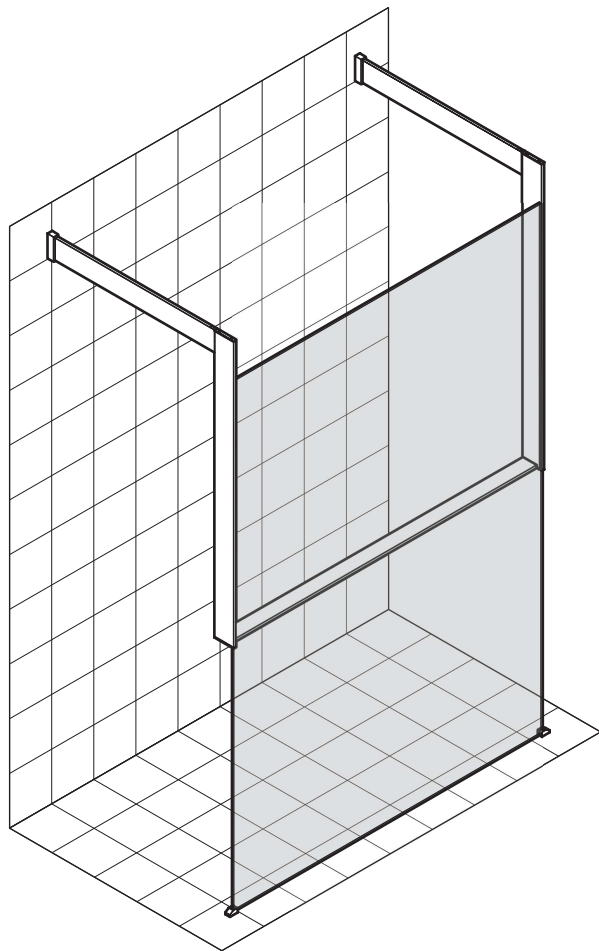


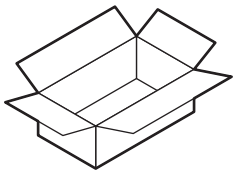
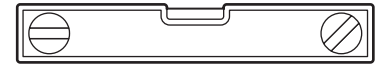
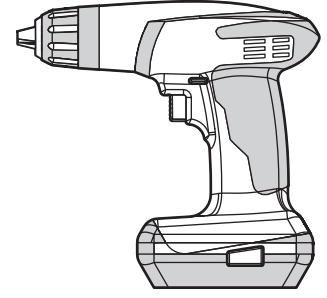
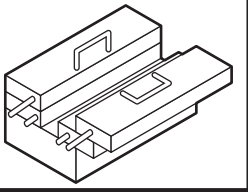
**FRAME**

 **NOVELLINI**

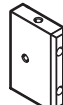
**HF**



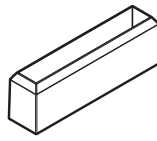
<hr/> <hr/> <hr/> <hr/>	<hr/> <hr/> <hr/> <hr/>
-------------------------	-------------------------



x2



x2



x2



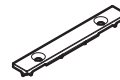
x2



x2



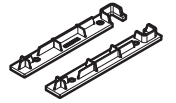
x2



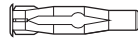
x2



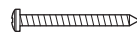
x2



x1



FU8x50 x5



3,5x38 x8



3,5x9,5 x2



M4x14 x2



4,5x60 x5



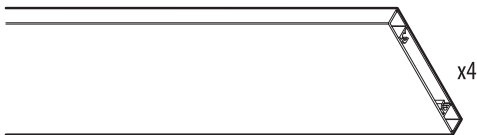
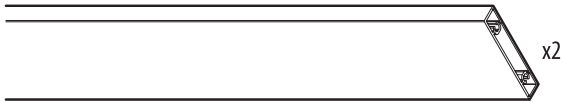
M4x16 x8



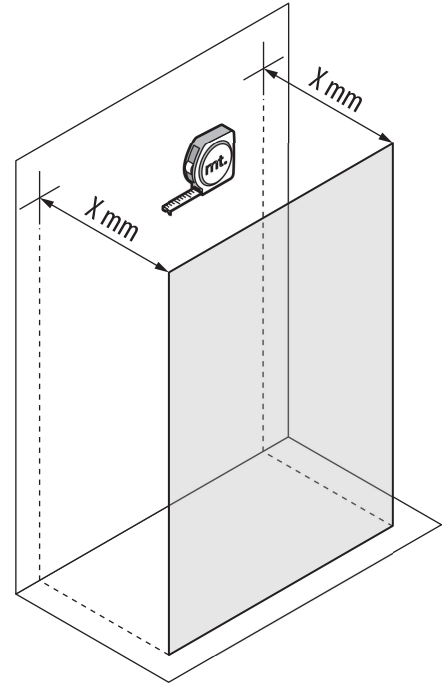
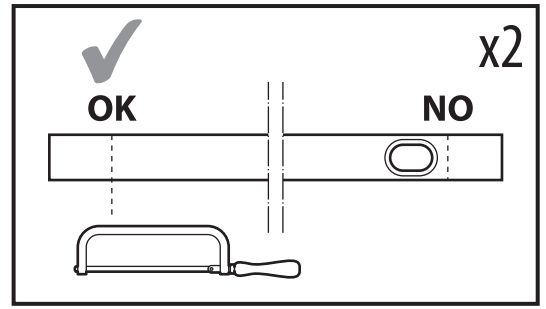
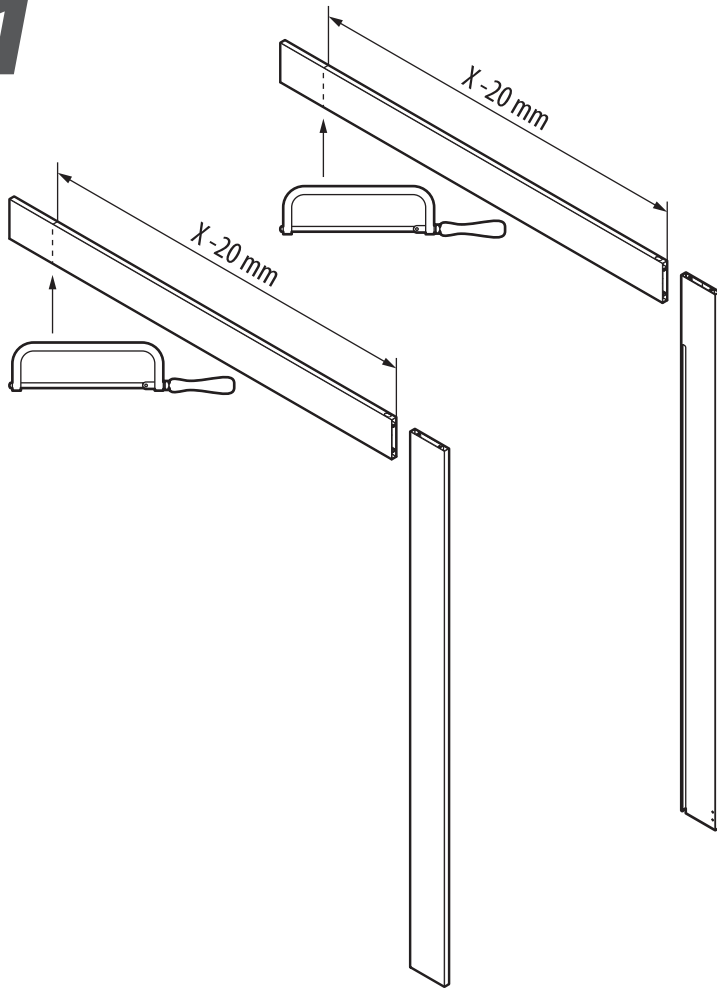
5,3x9,5x1 x5



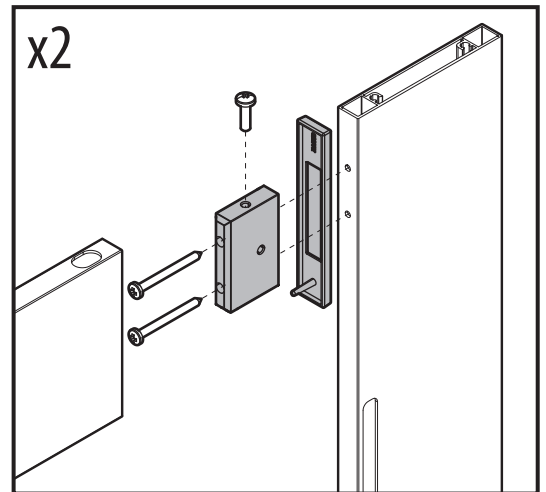
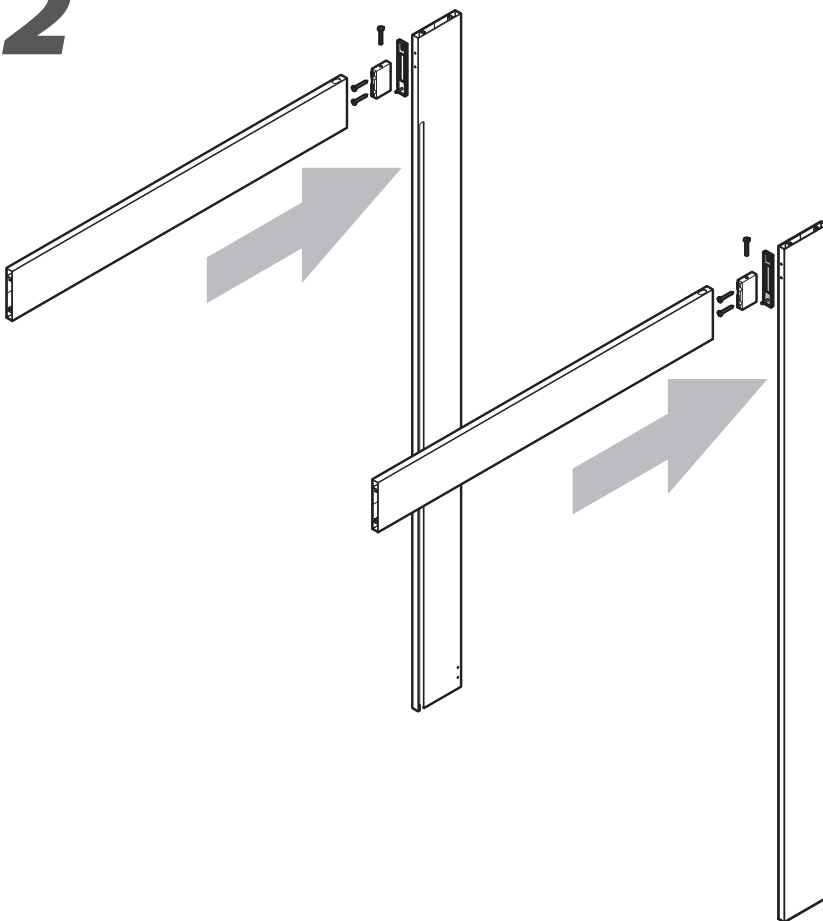
M4x18 x2




# 1



# 2

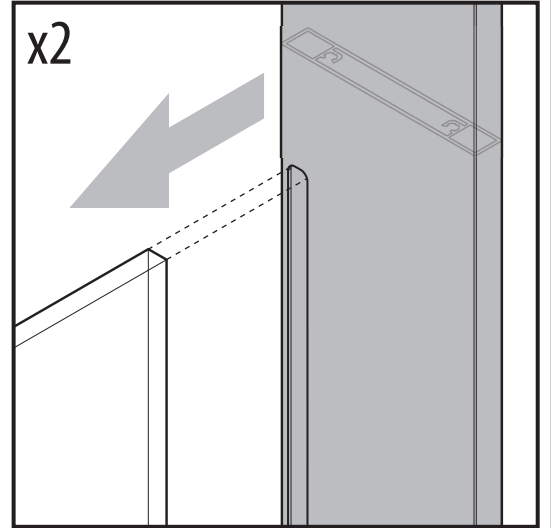
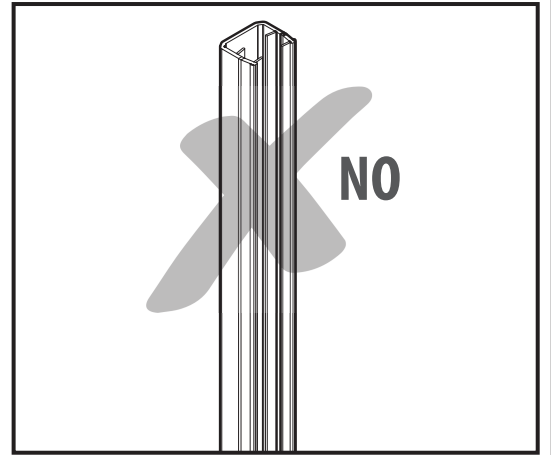
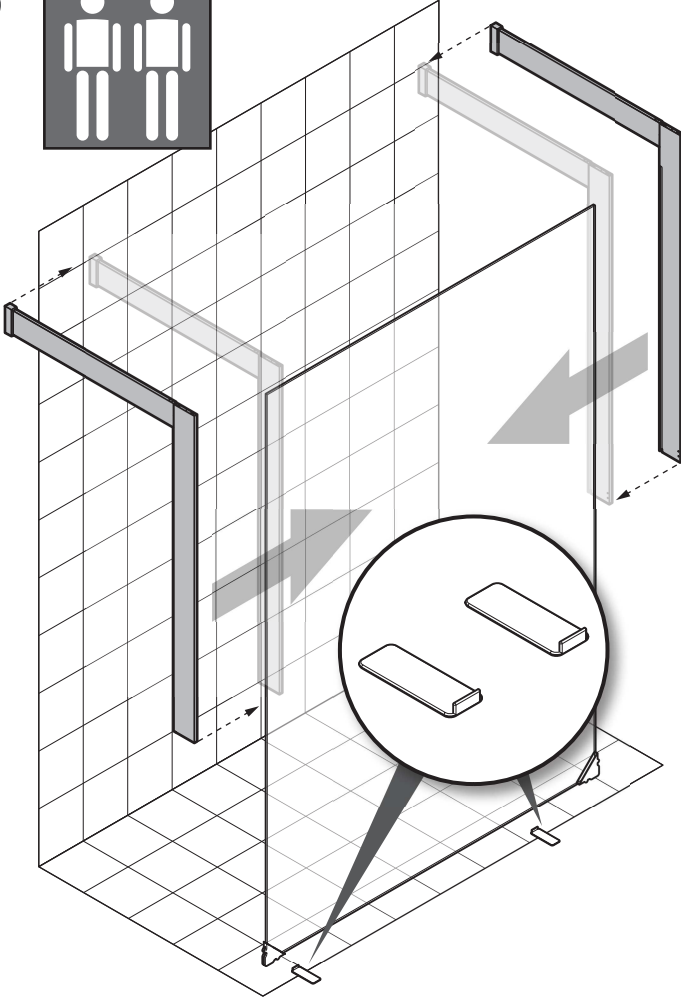


  
M4x14 x2

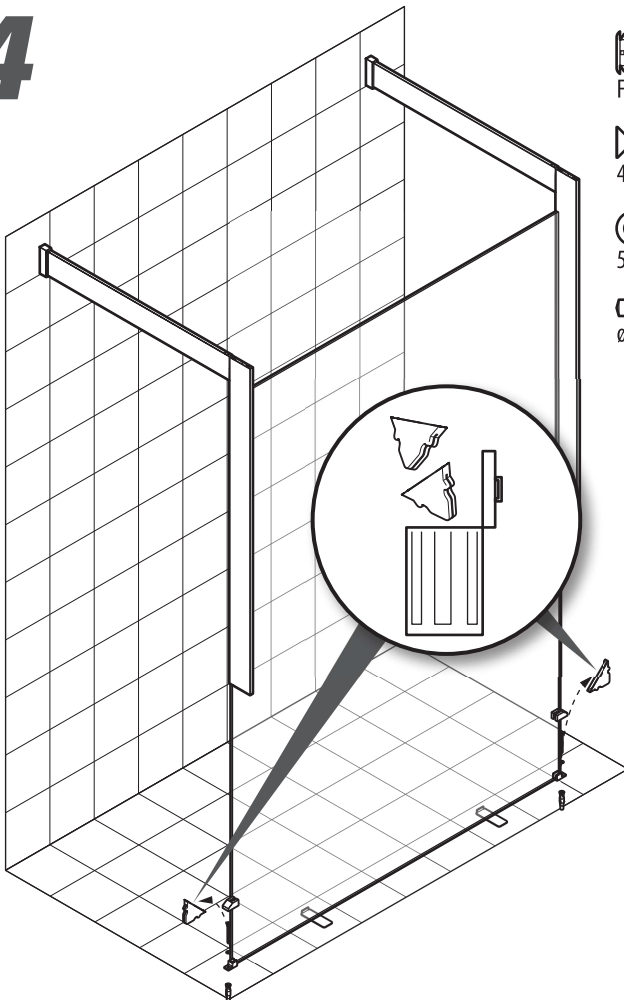
  
3,5x38 x4



3



4



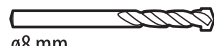
FU8x50 x1



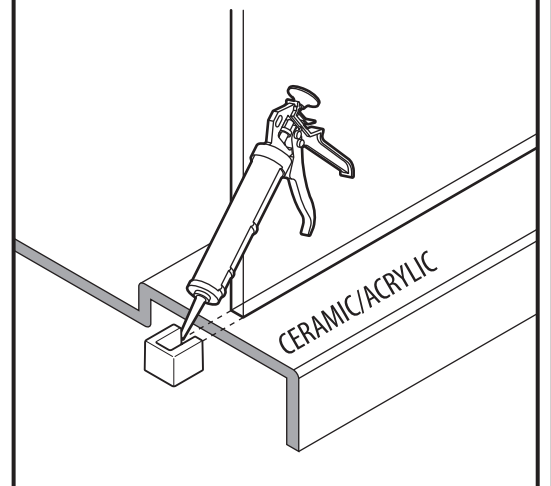
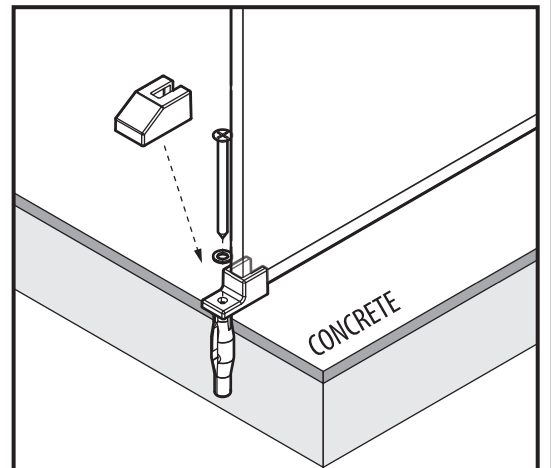
4,5x60 x1



5,3x9,5x1 x1

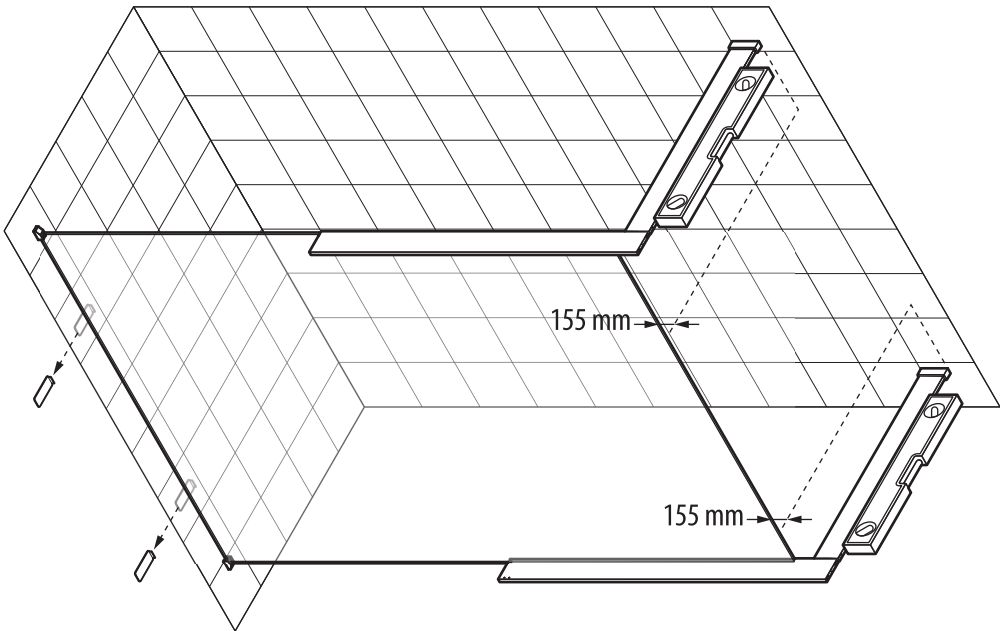


ø8 mm

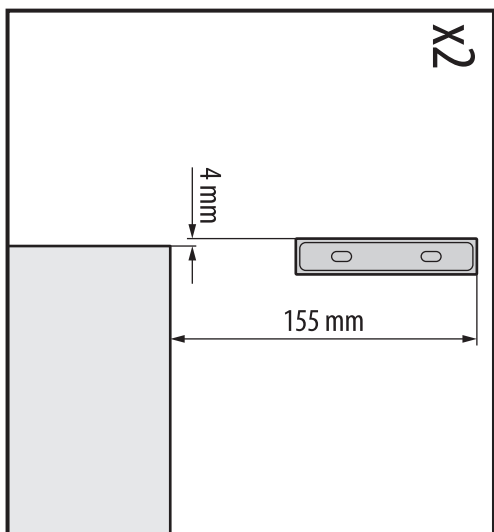


5

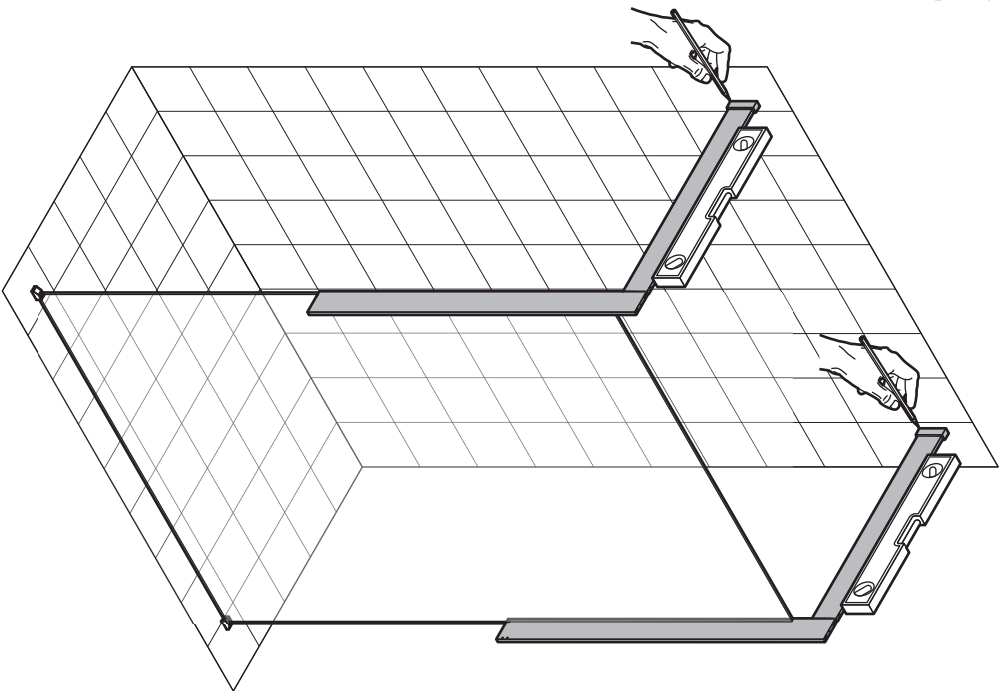
5



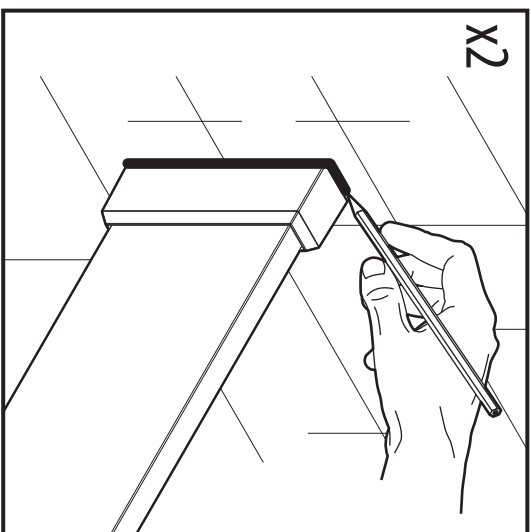
X2



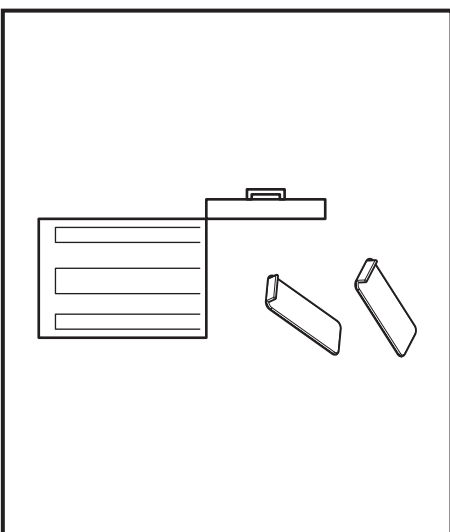
6



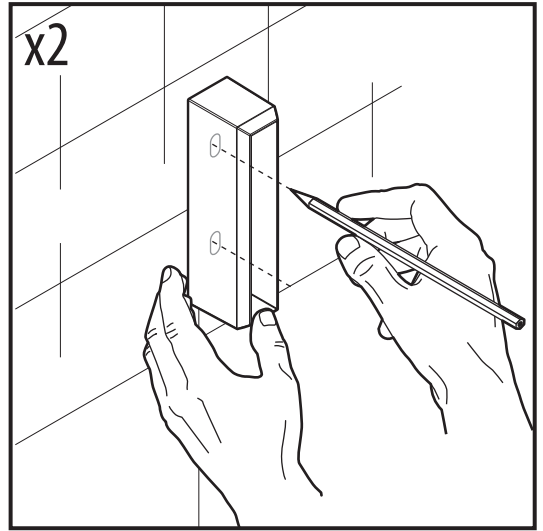
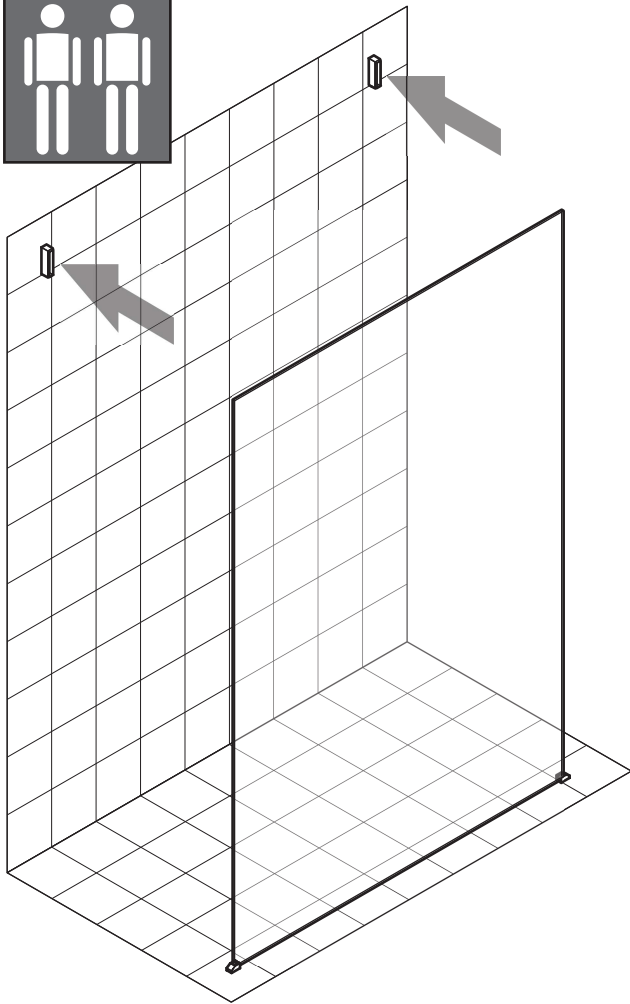
X2



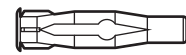
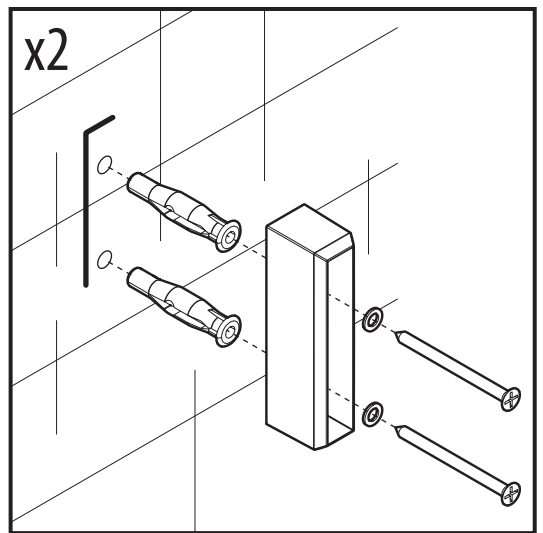
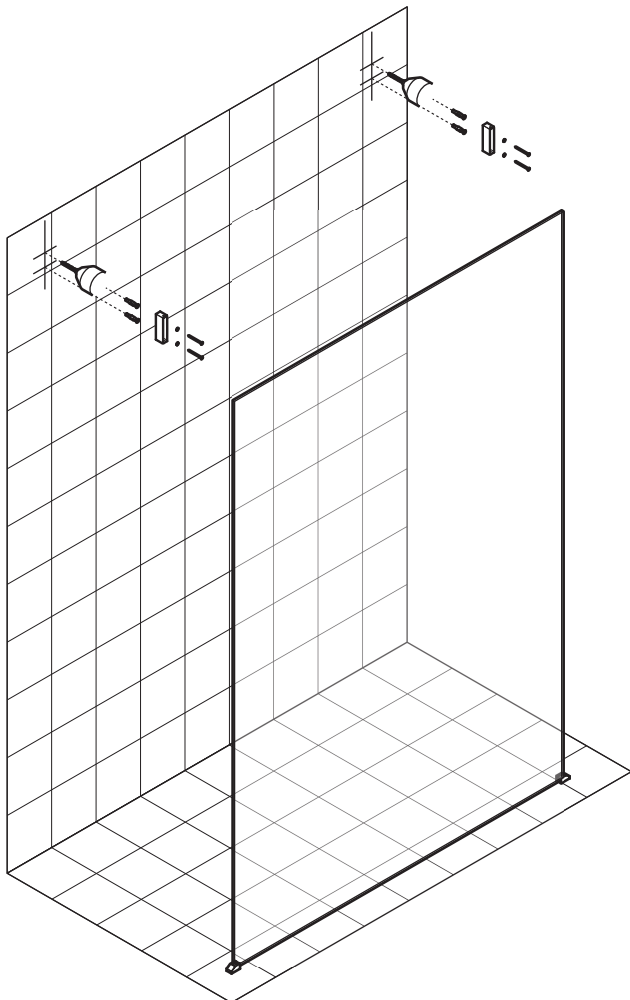
6



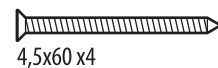
7



8



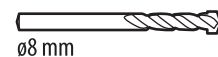
FU8x50 x4



4,5x60 x4

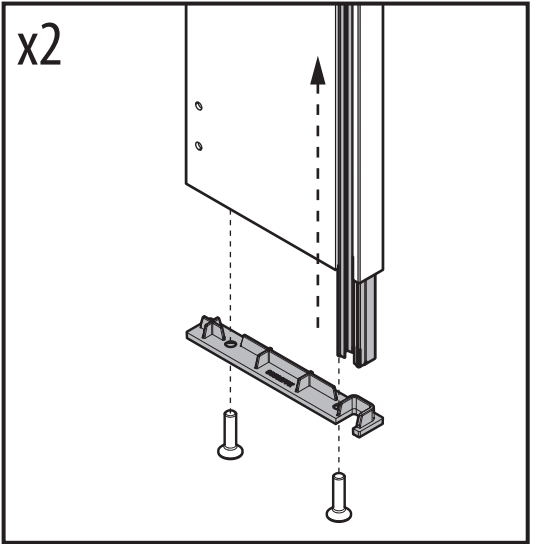
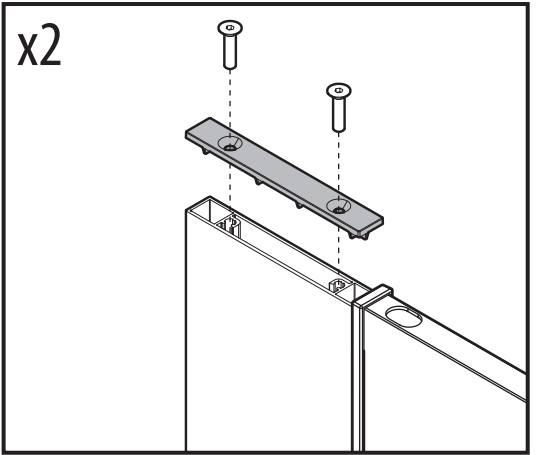
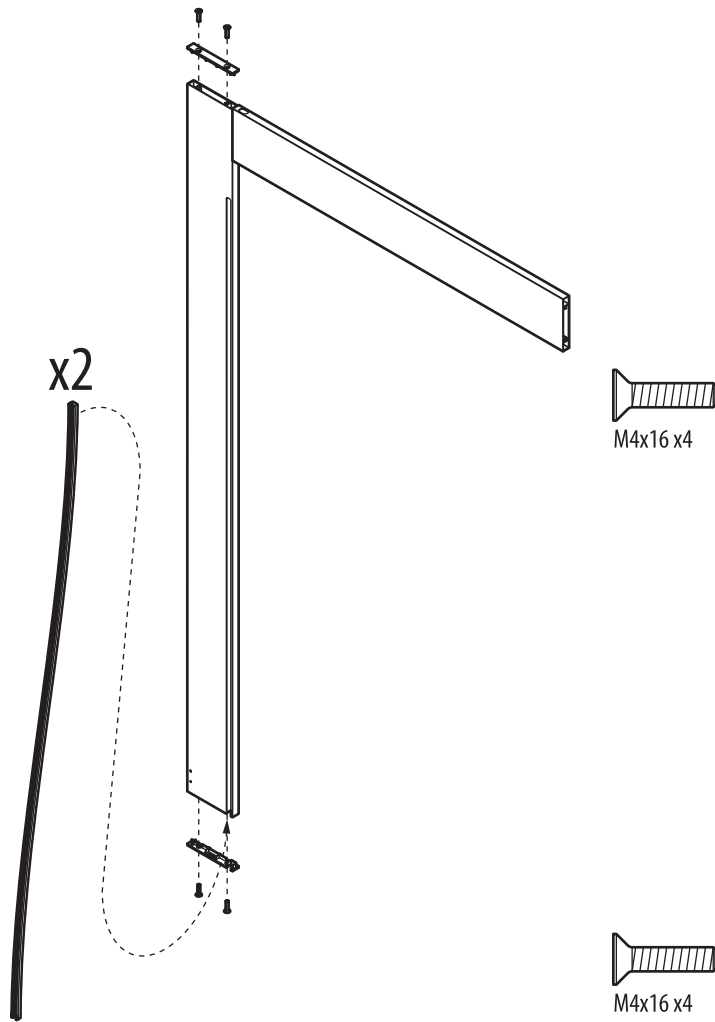


5,3x9,5x1 x4



ø8 mm

# 9



# 10

