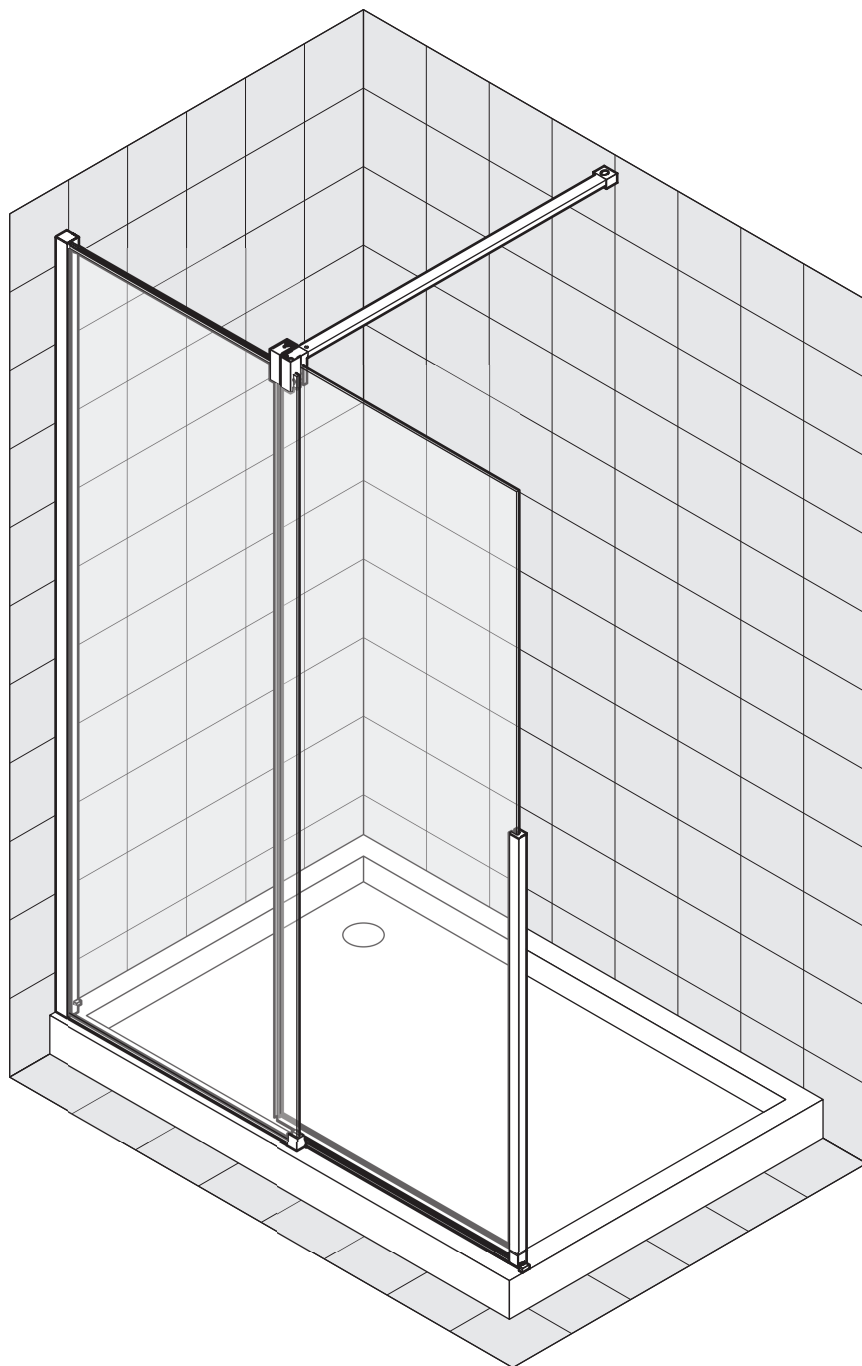
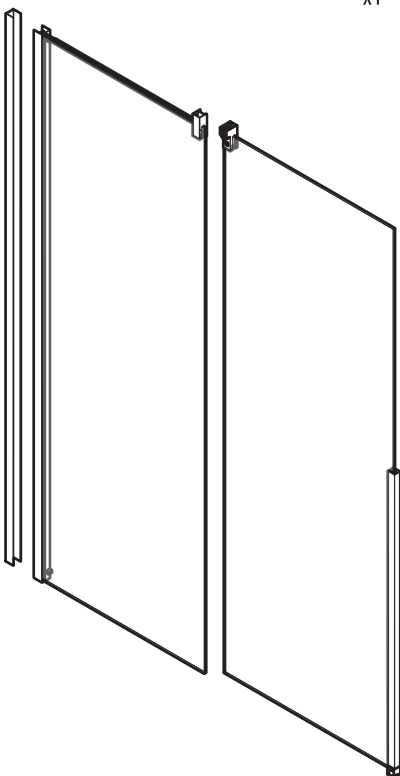
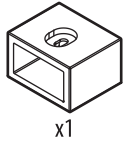
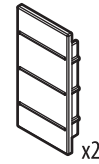
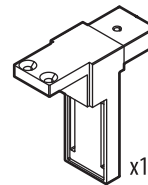
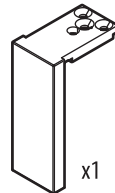
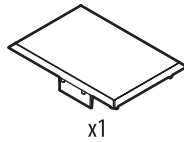
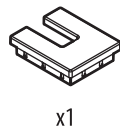
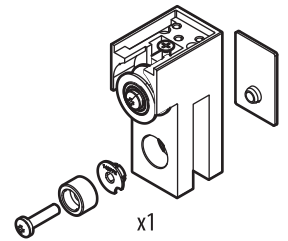
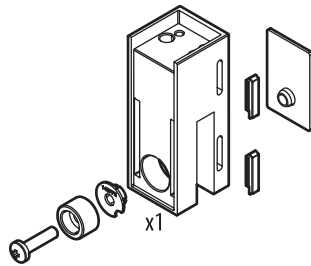
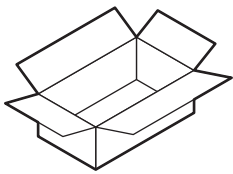
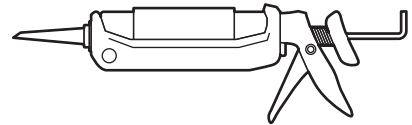
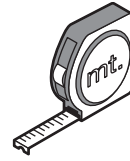
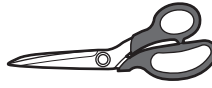
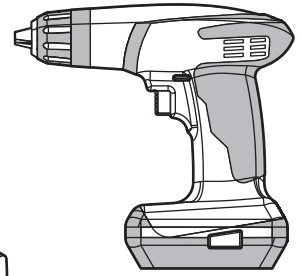
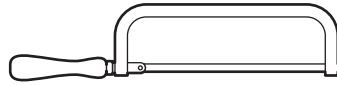
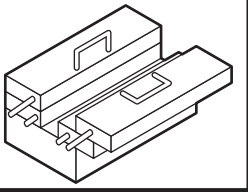


H-STYLE

 **NOVELLINI**





FU8x50 x5



M4x12 x6



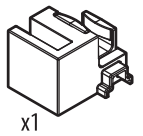
3,5x13 x1



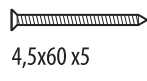
x2



x2



x1



4,5x60 x5



3,5x9,5 x2



5,3x9,5x1 x1



x1



x2

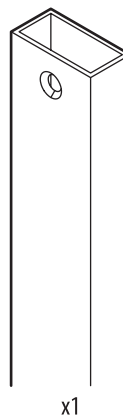


x1

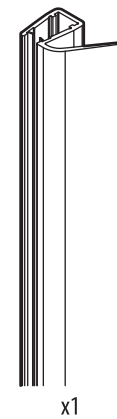


x1

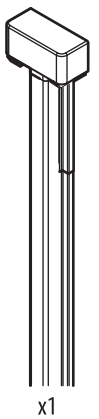
2



x1



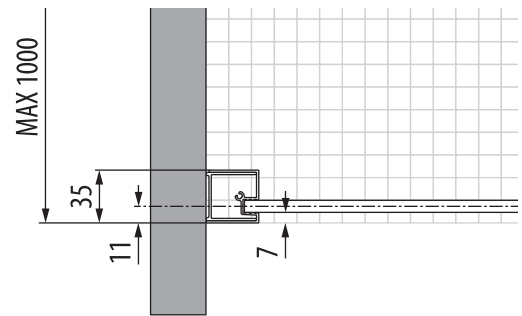
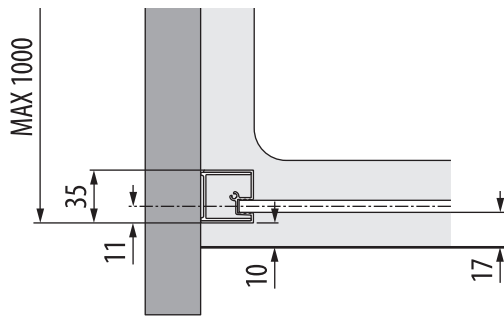
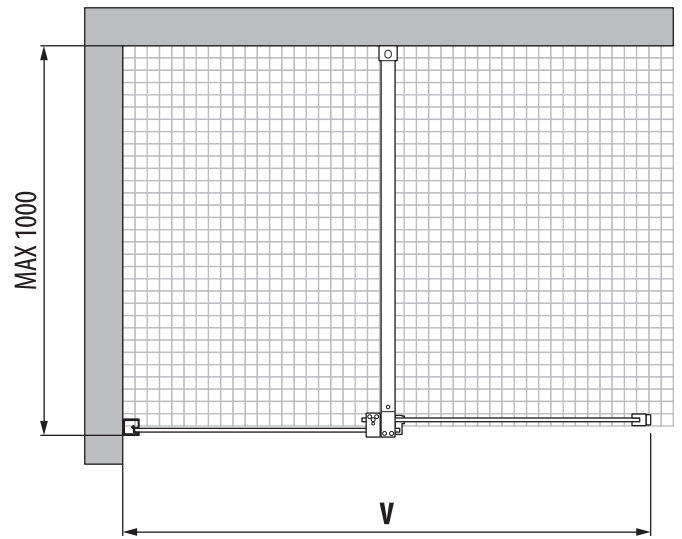
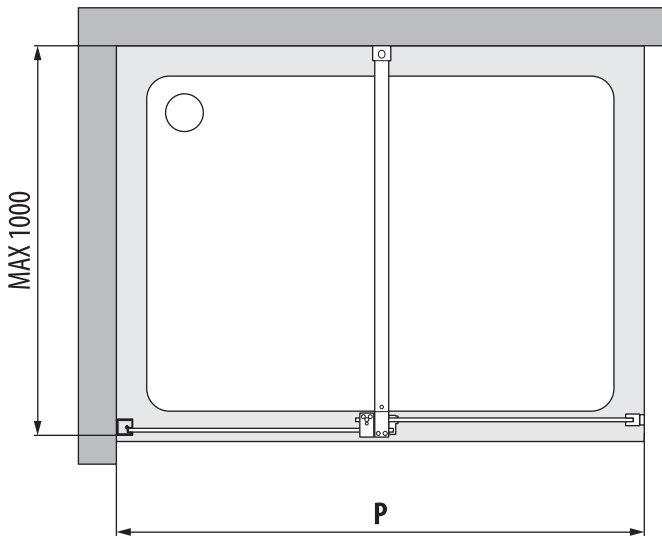
x1



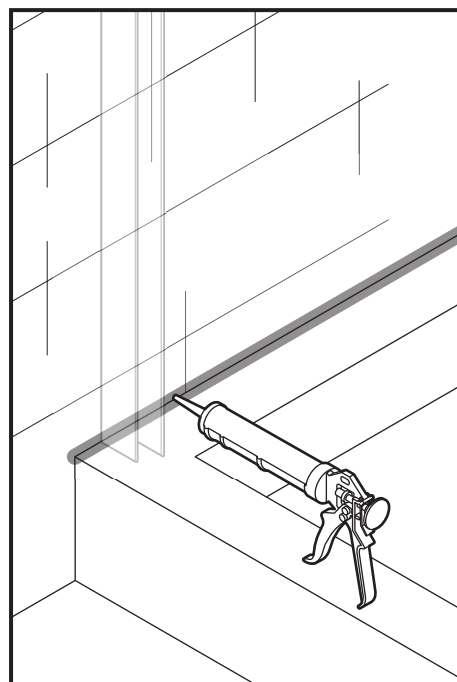
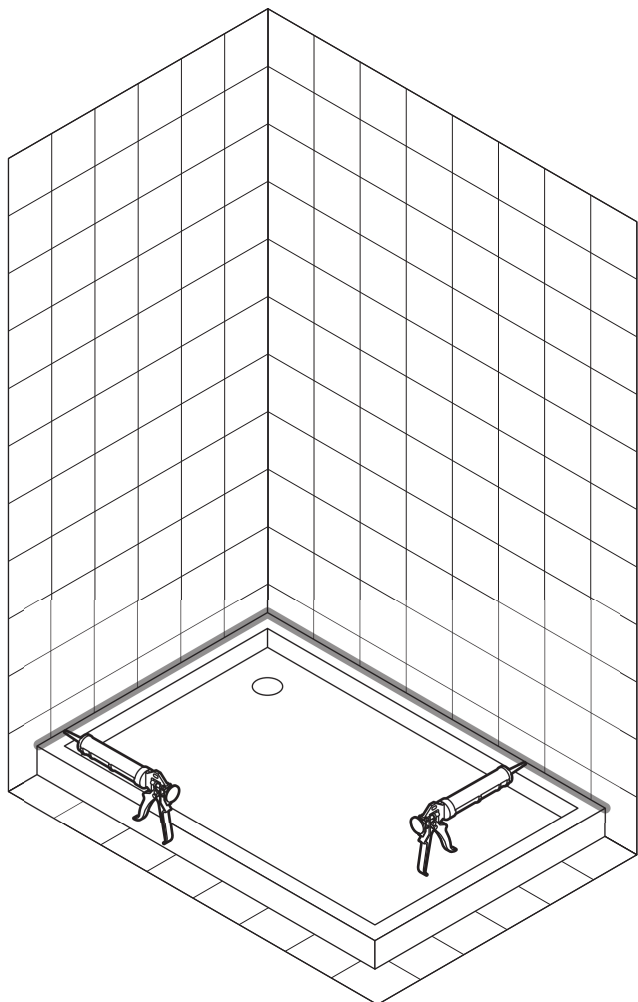
x1

H-STYLE	P
100	970-990
120	1170-1190
140	1370-1390
160	1570-1590
180	1770-1790

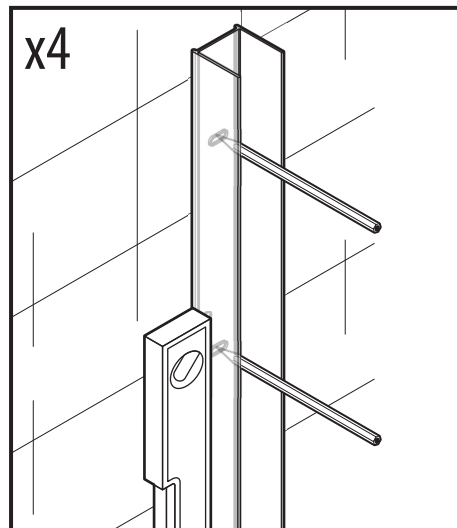
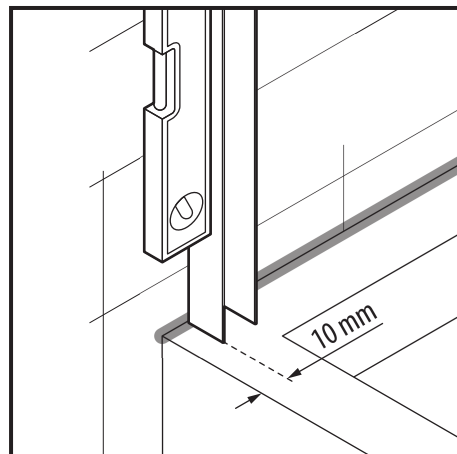
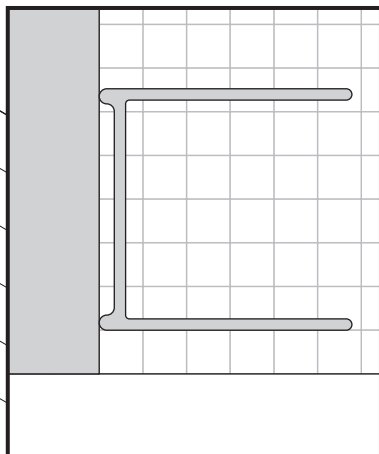
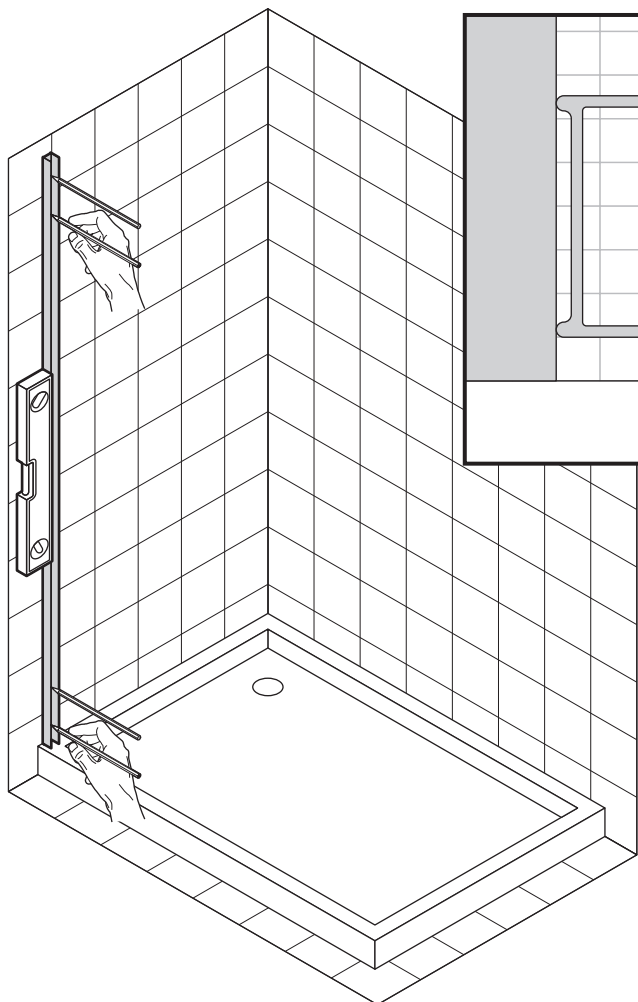
H-STYLE	V
100	970-990
120	1170-1190
140	1370-1390
160	1570-1590
180	1770-1790



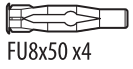
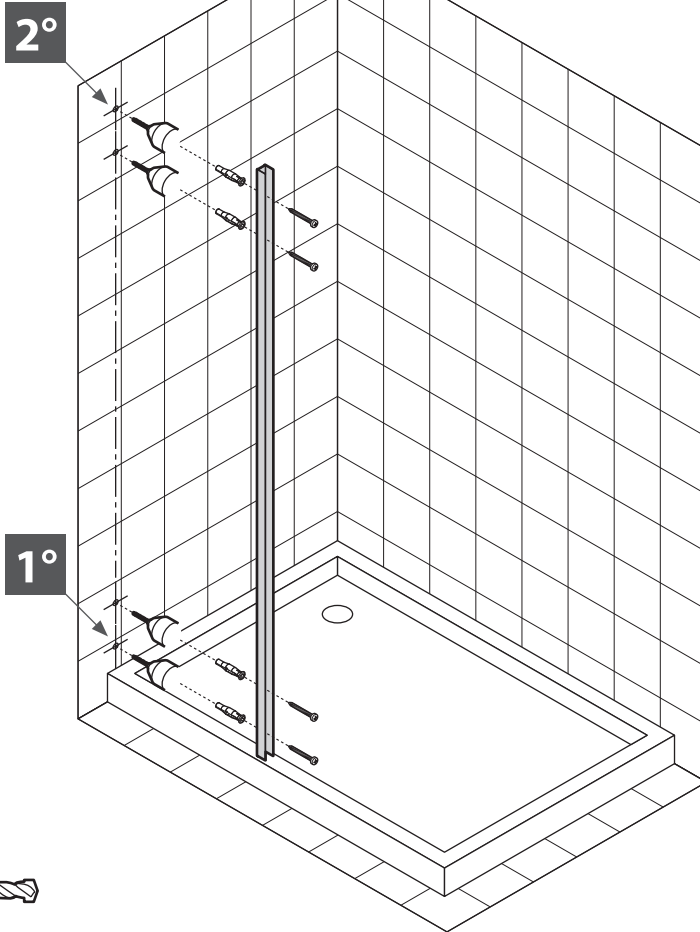
1



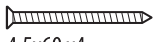
2



3



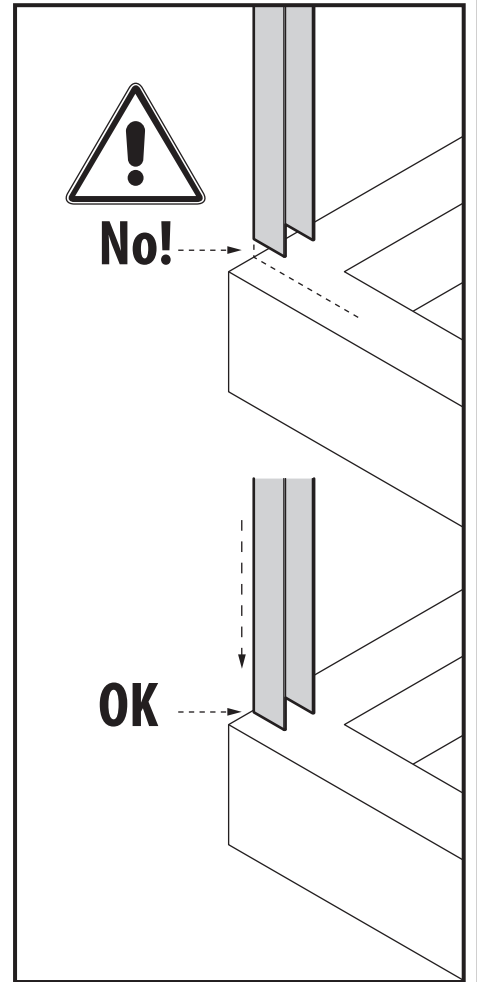
FU8x50 x4



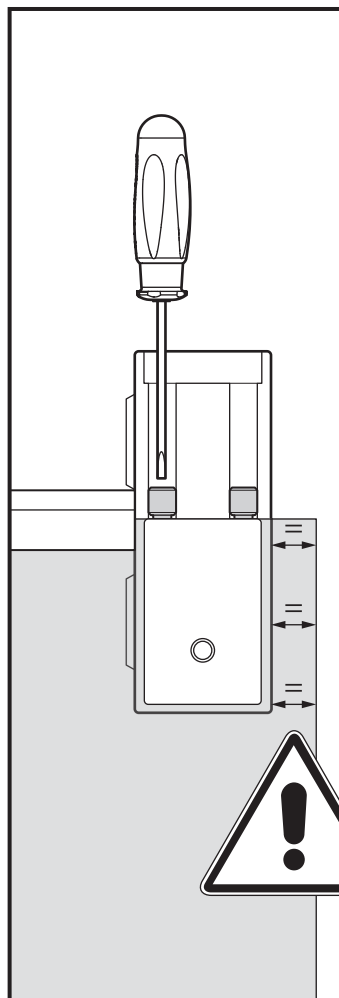
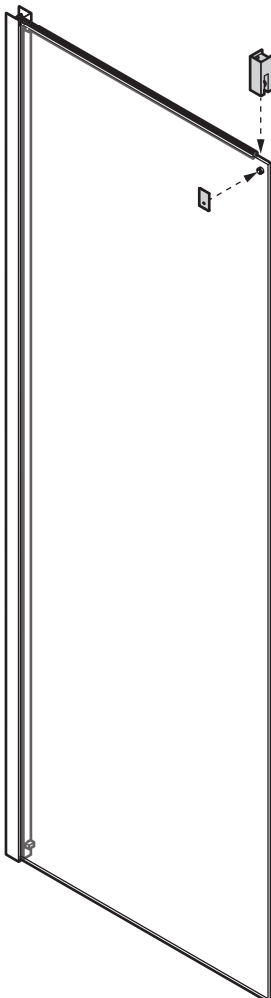
4,5x60 x4



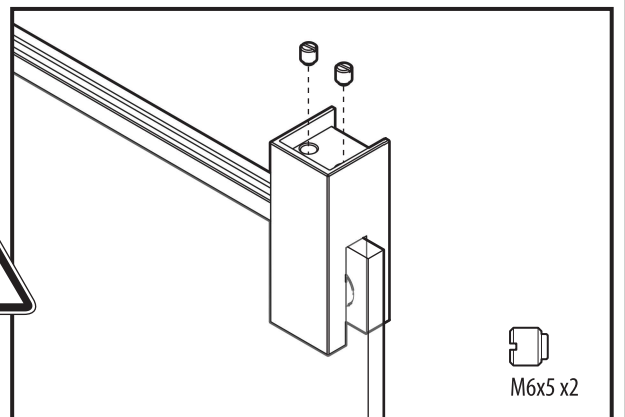
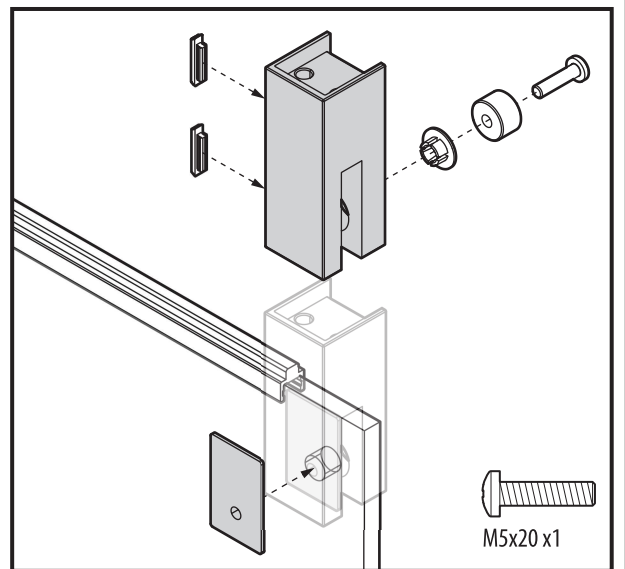
ø8 mm



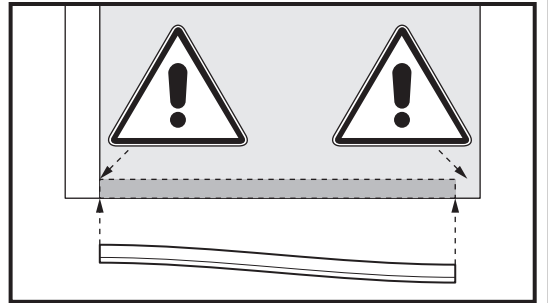
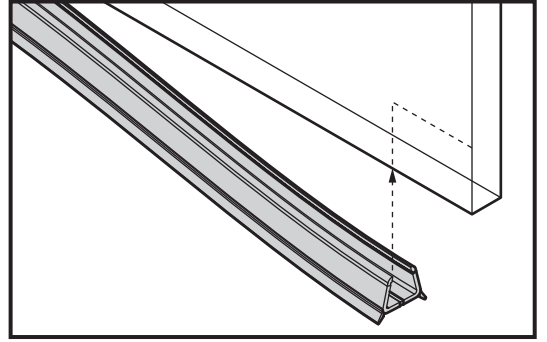
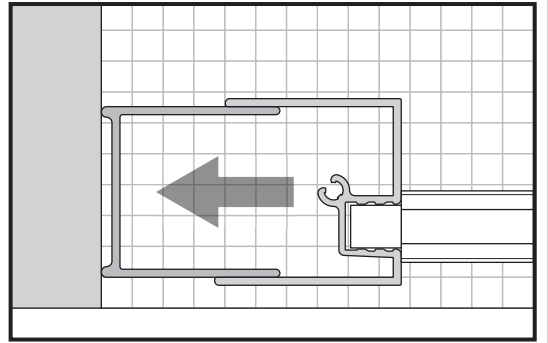
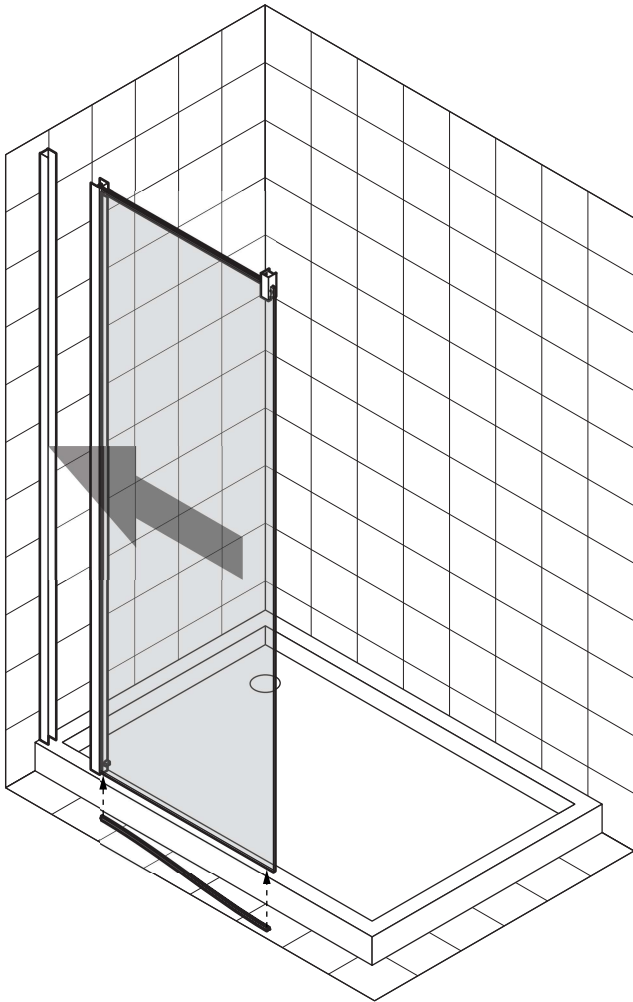
4



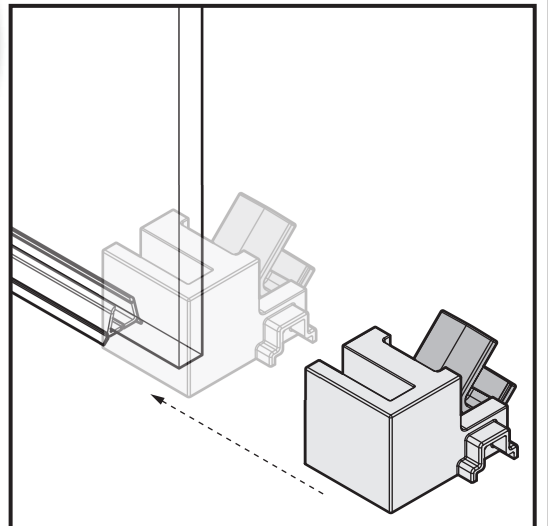
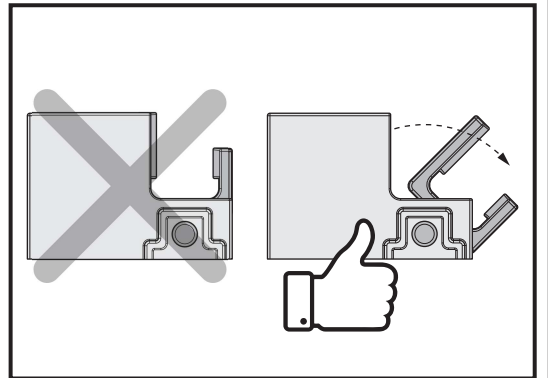
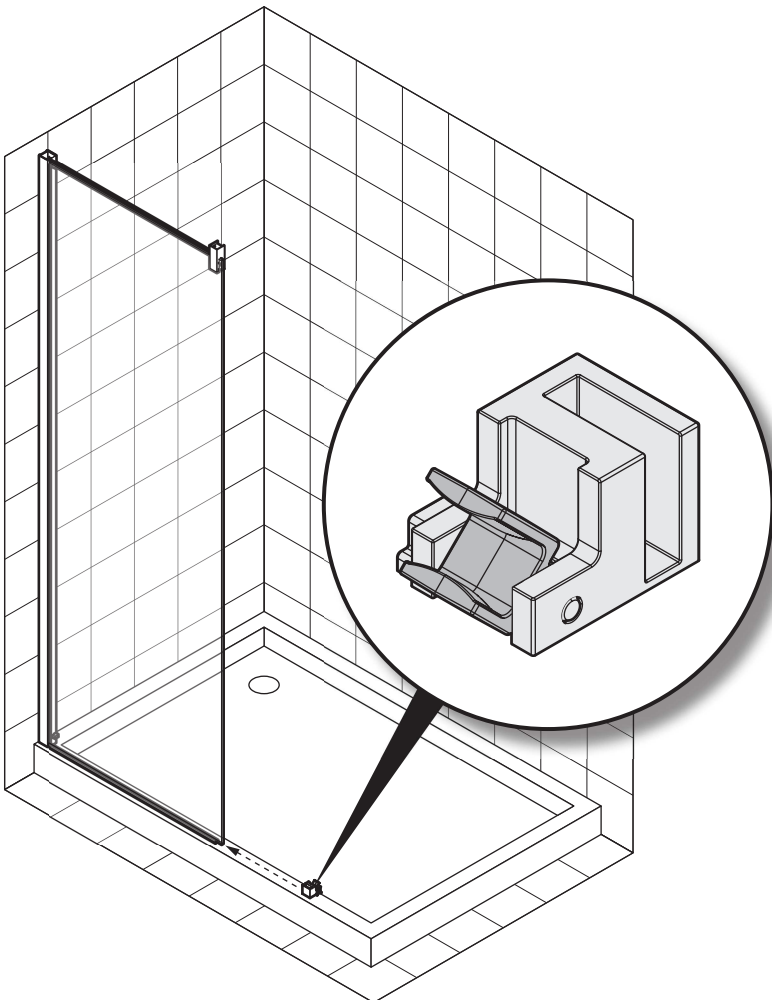
5



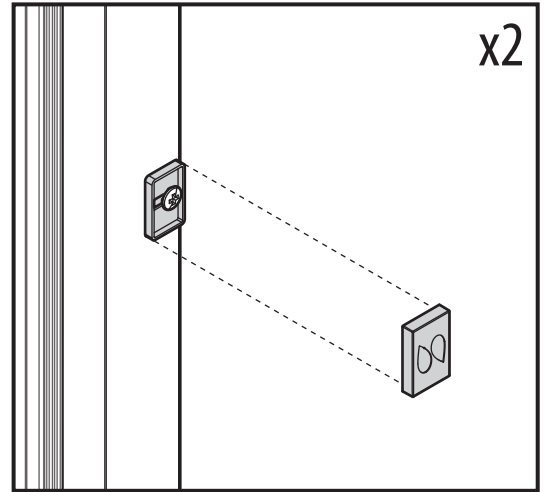
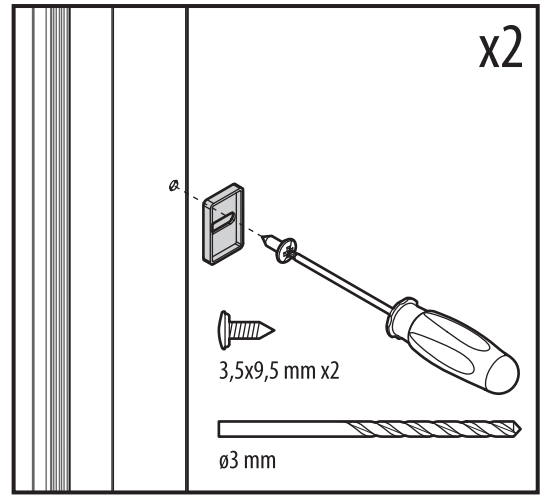
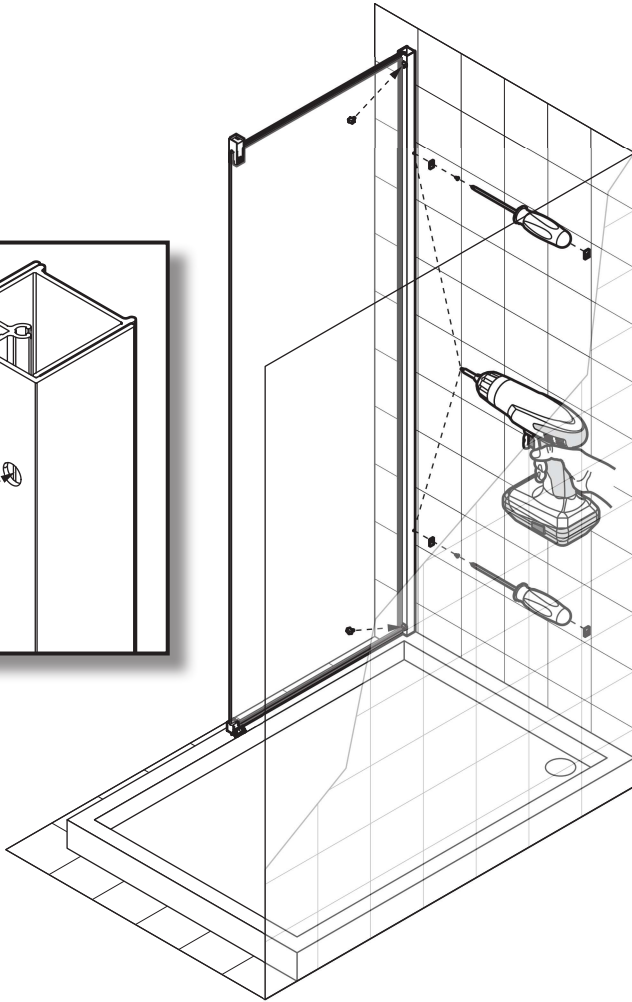
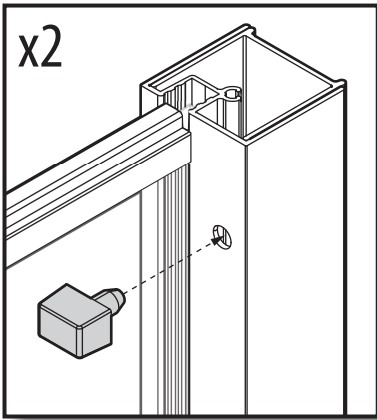
5



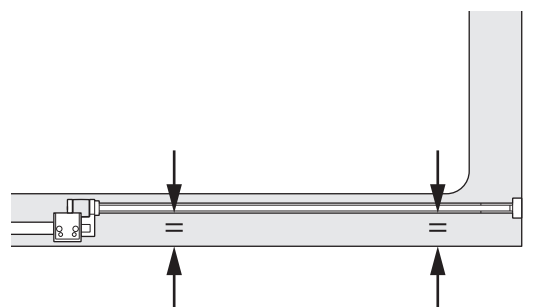
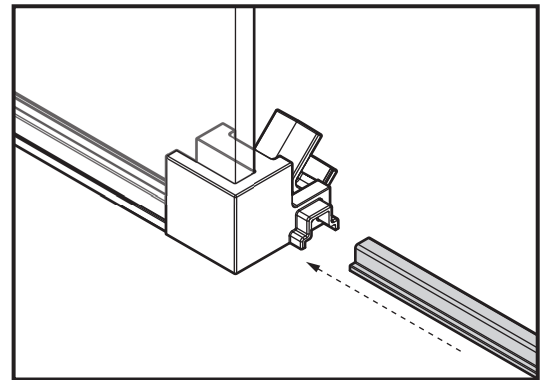
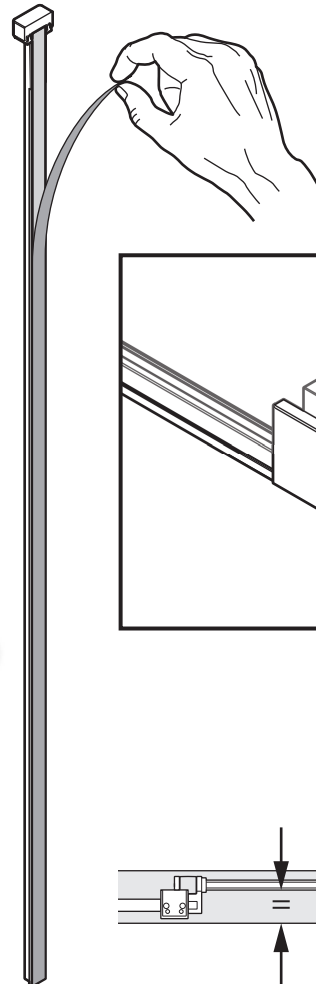
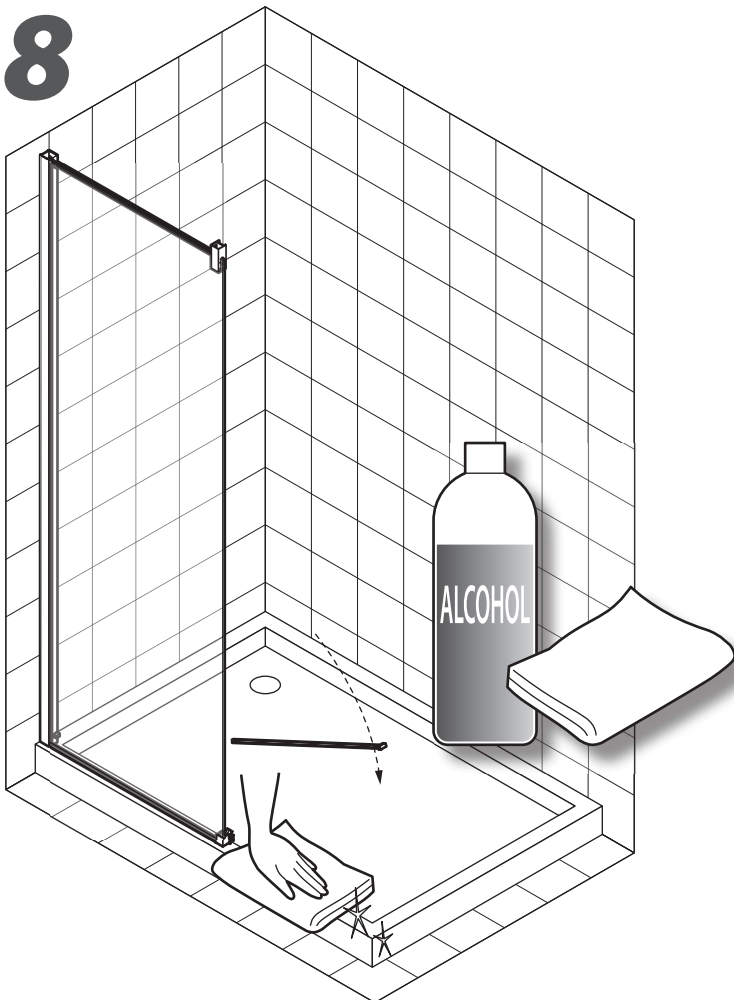
6



7

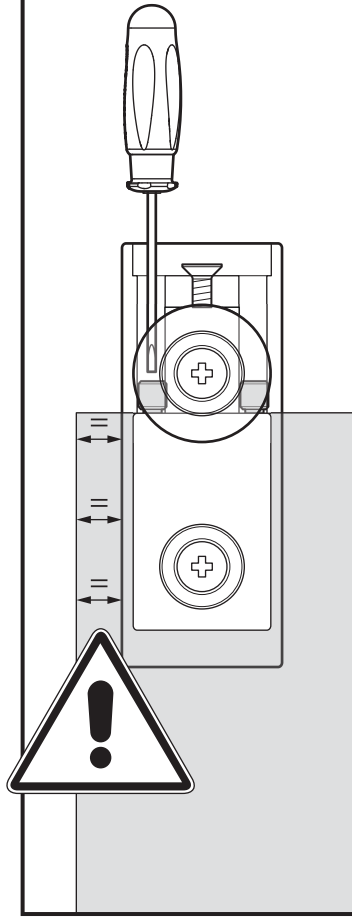
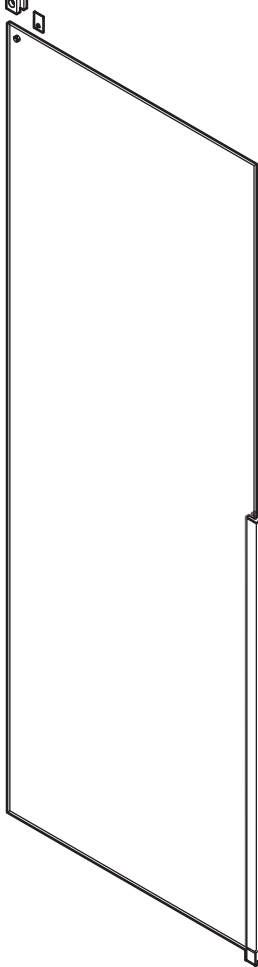


8

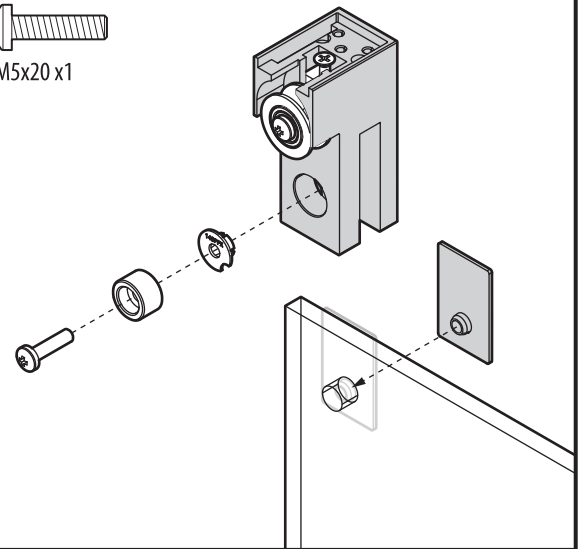


7

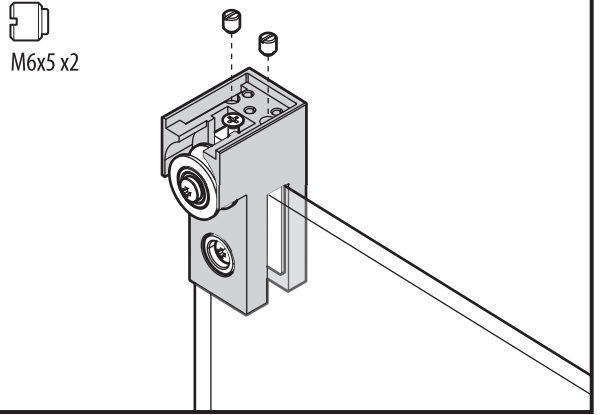
9



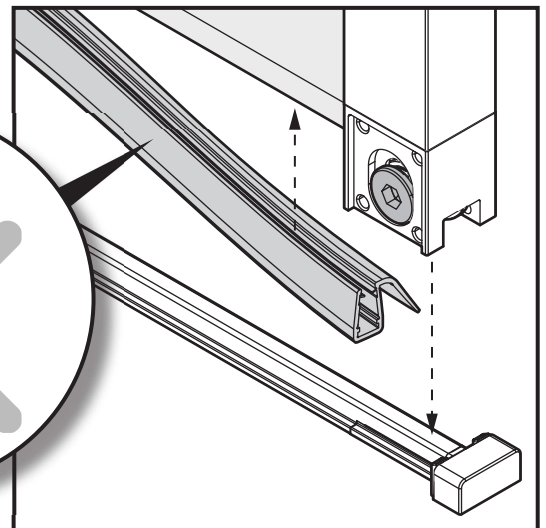
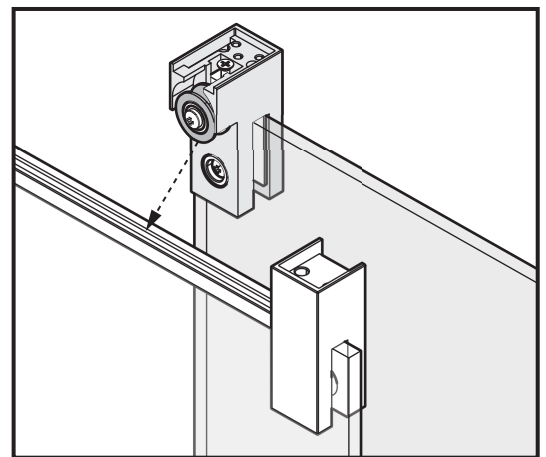
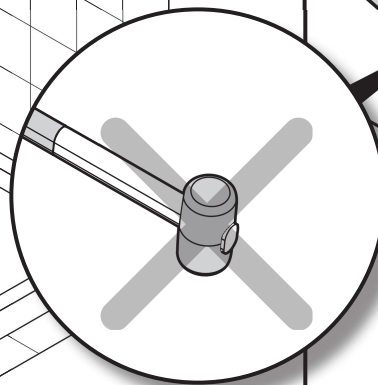
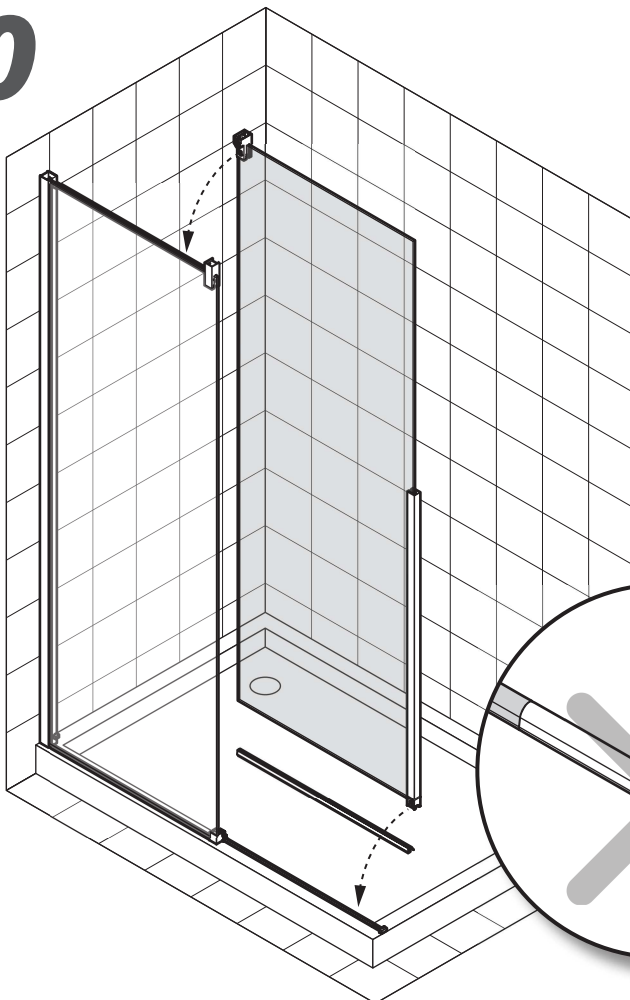
M5x20 x1



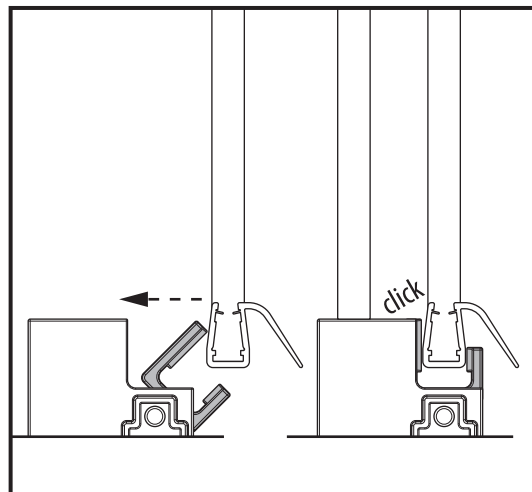
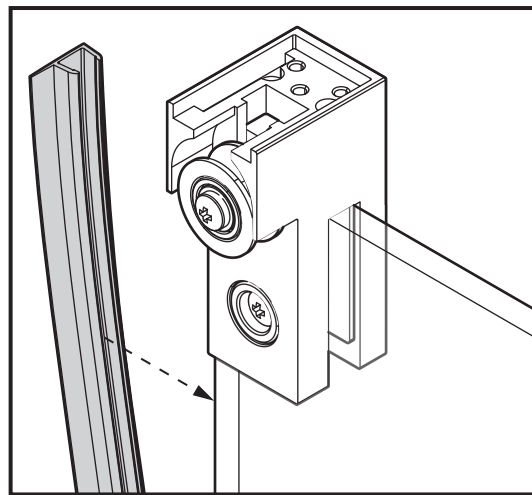
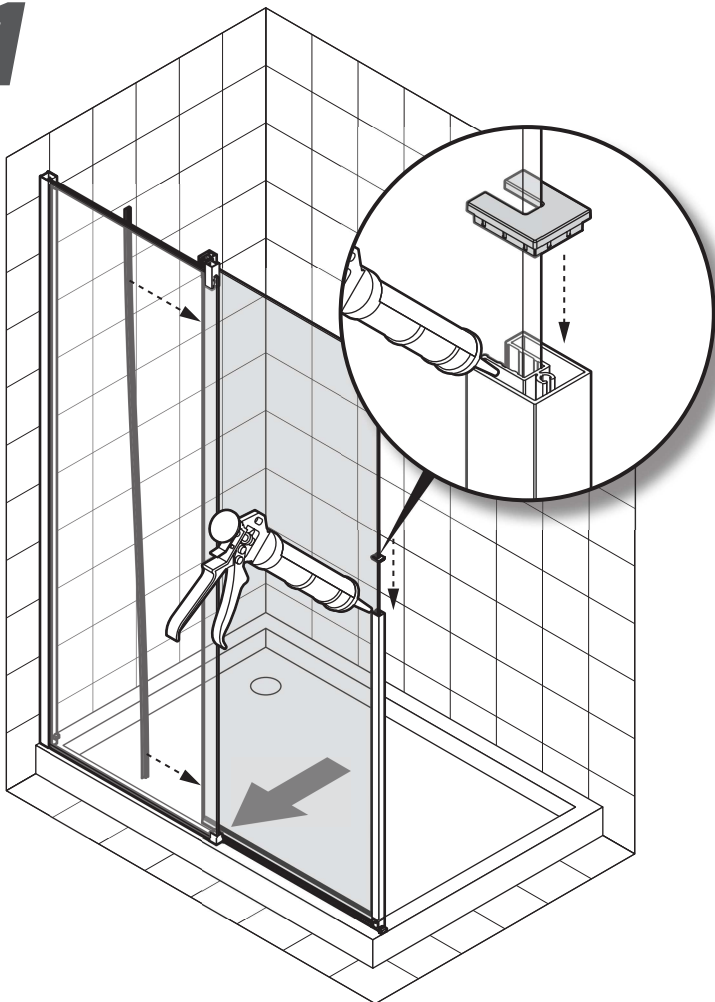
M6x5 x2



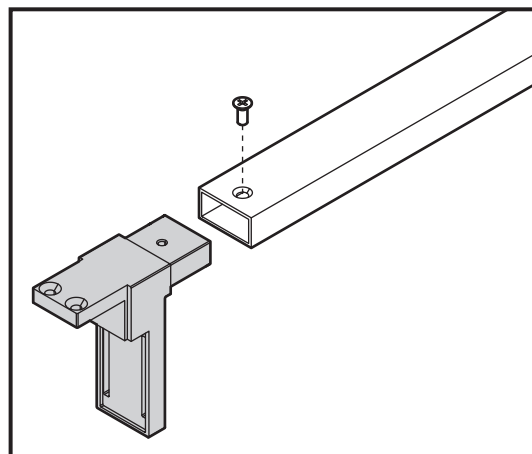
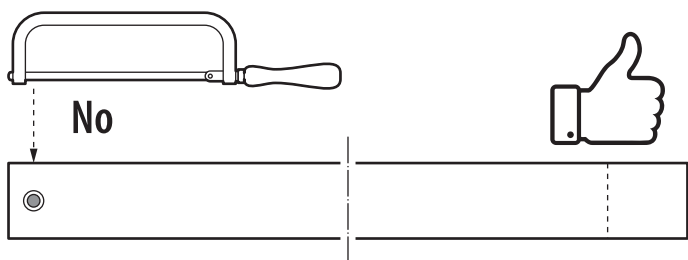
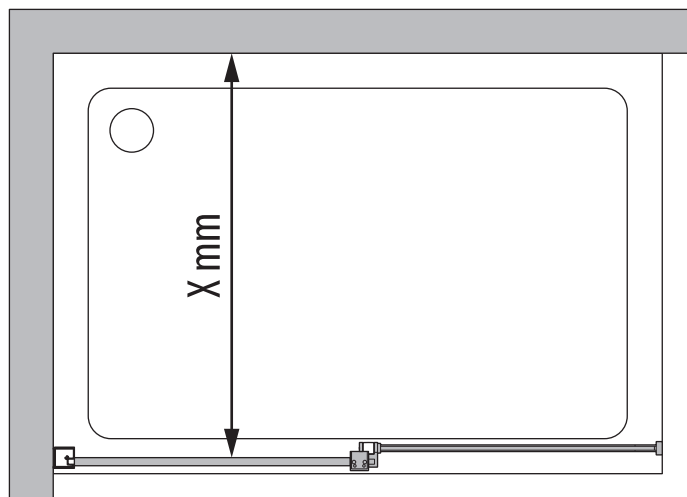
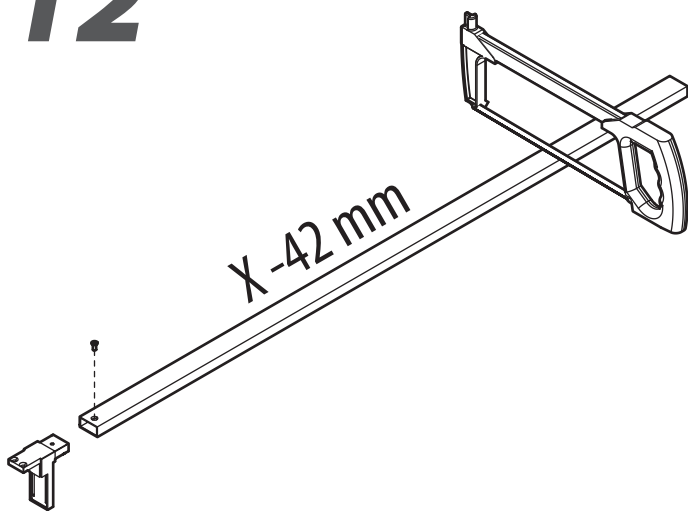
10



11

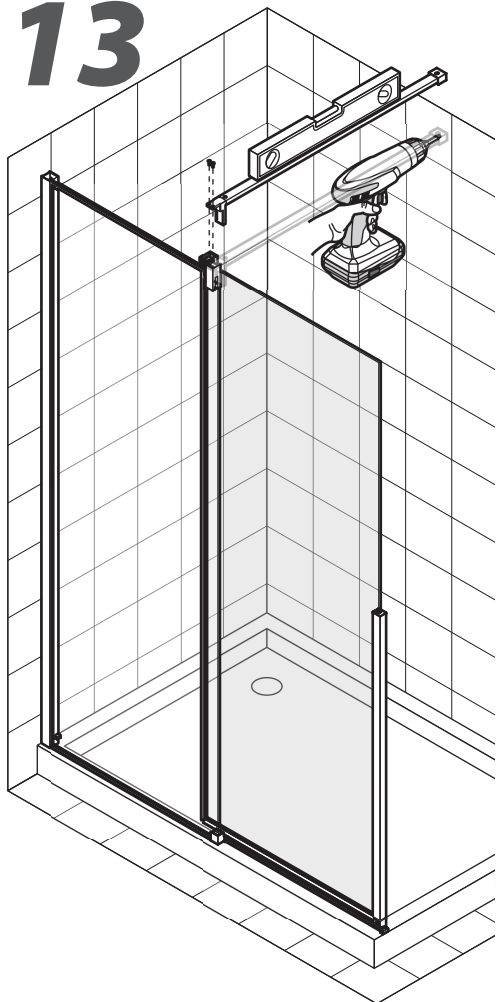


12



M4x12 x1

13



ø8 mm



FU8x50 x1



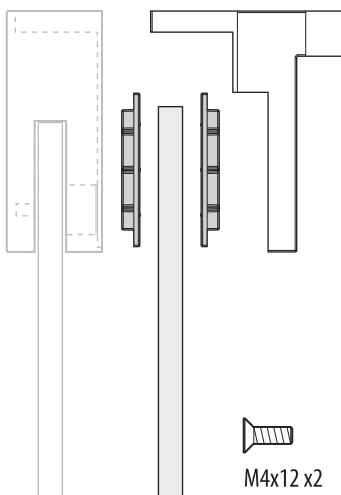
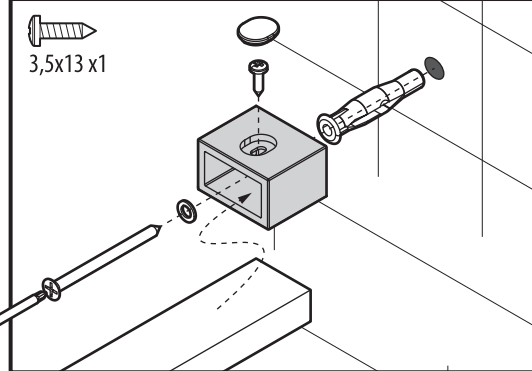
4,5x60 x1



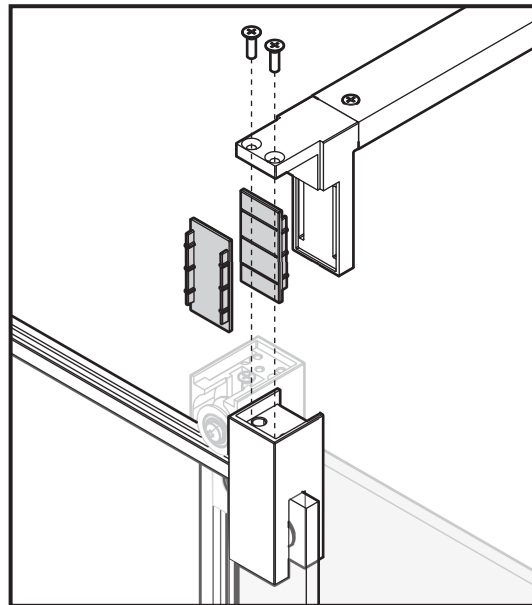
5,3x9,5x1



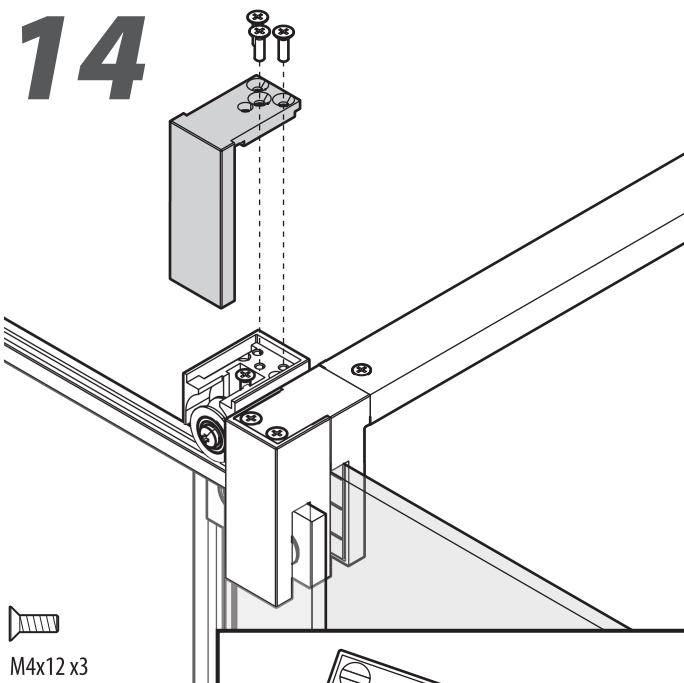
3,5x13 x1



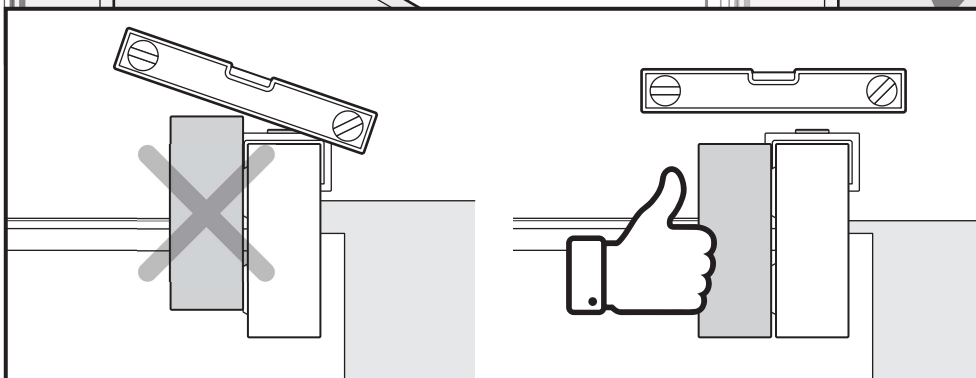
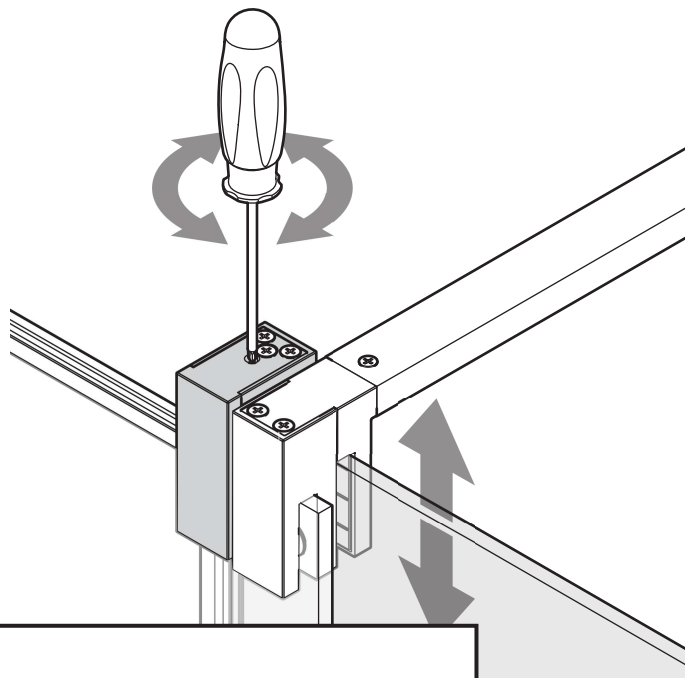
M4x12 x2



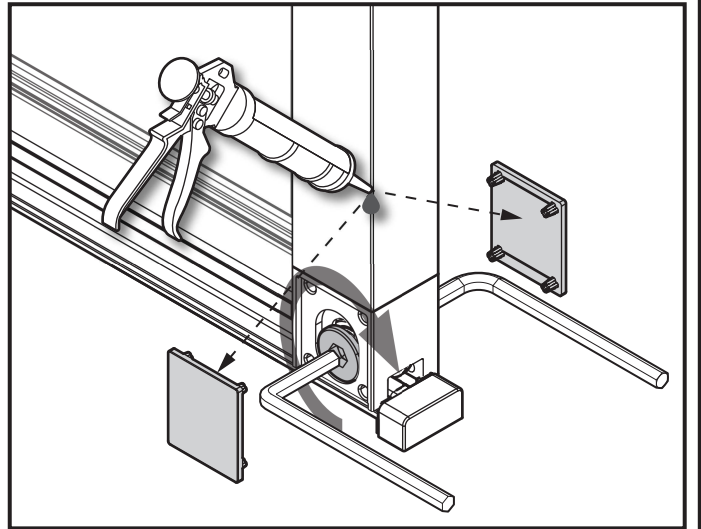
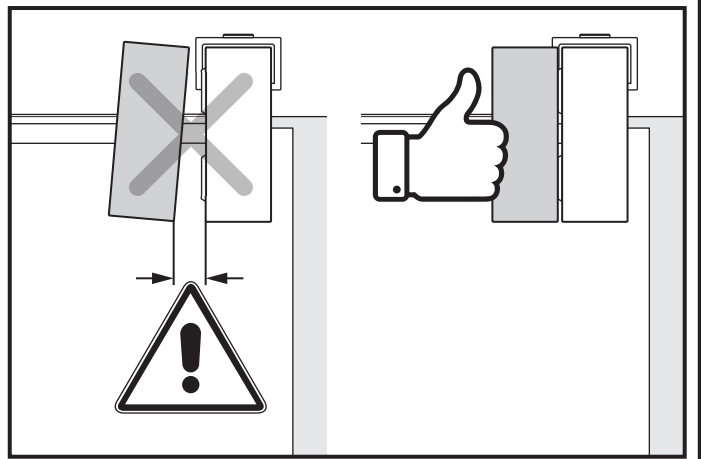
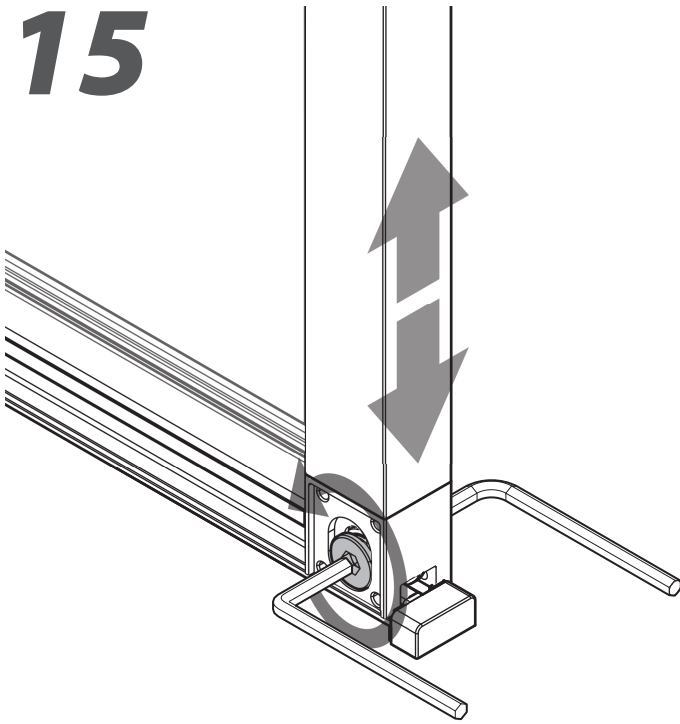
14



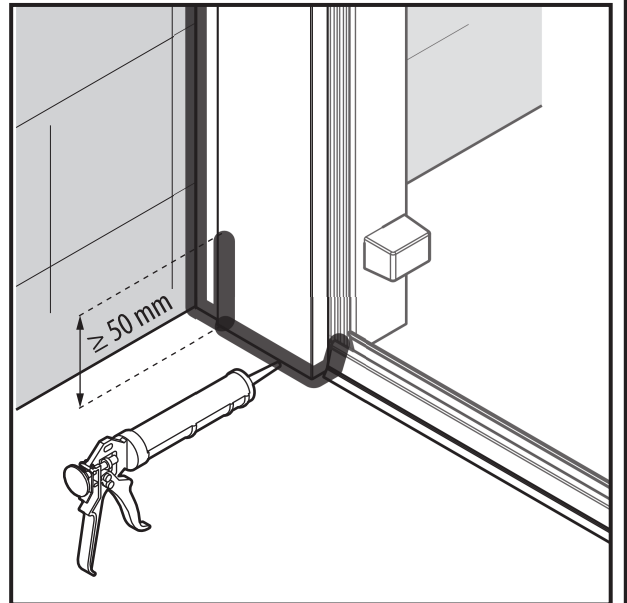
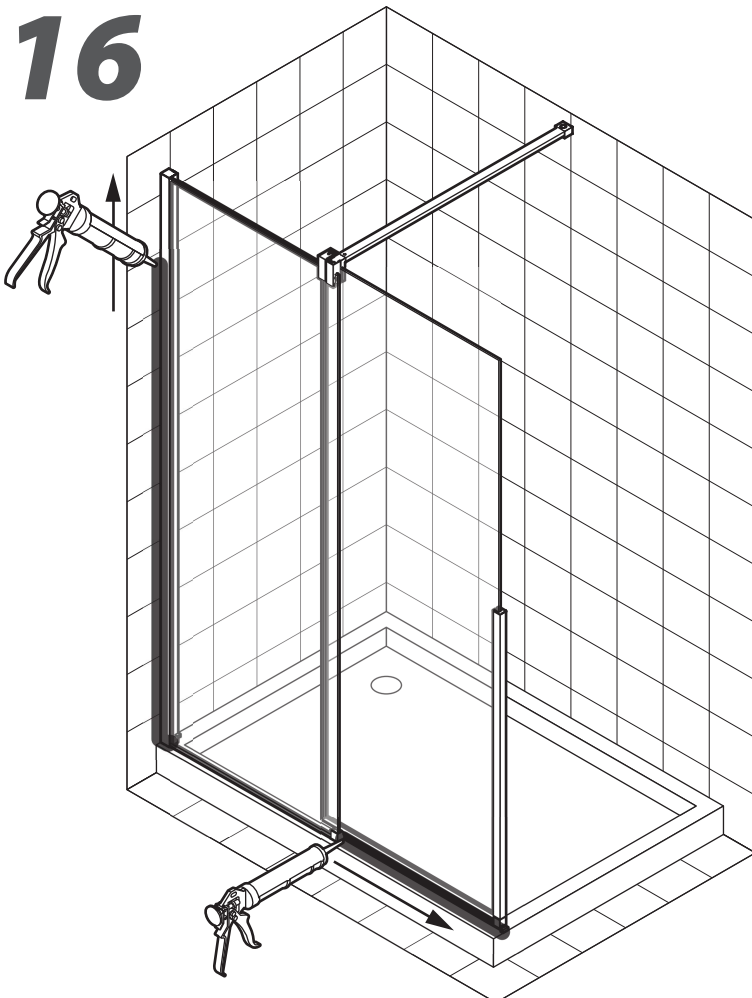
M4x12 x3



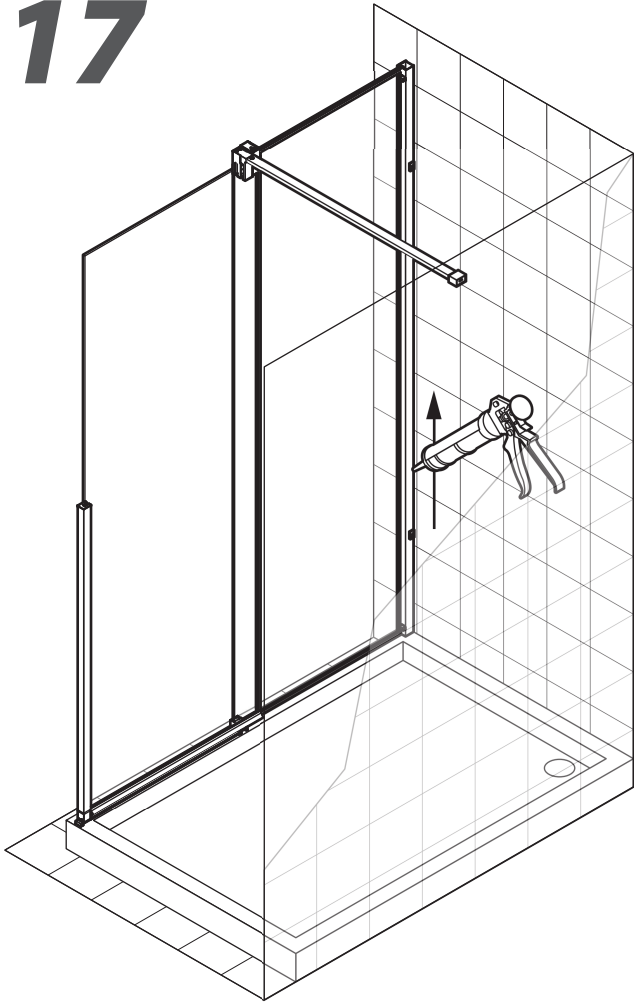
15



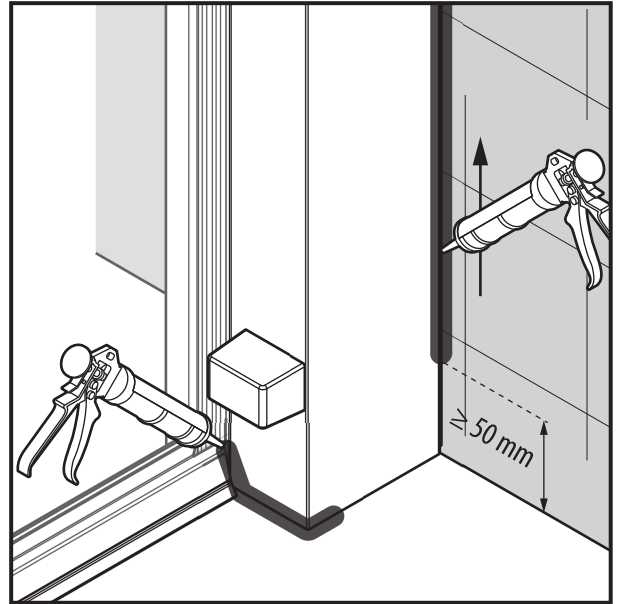
16



17



Optional



18

