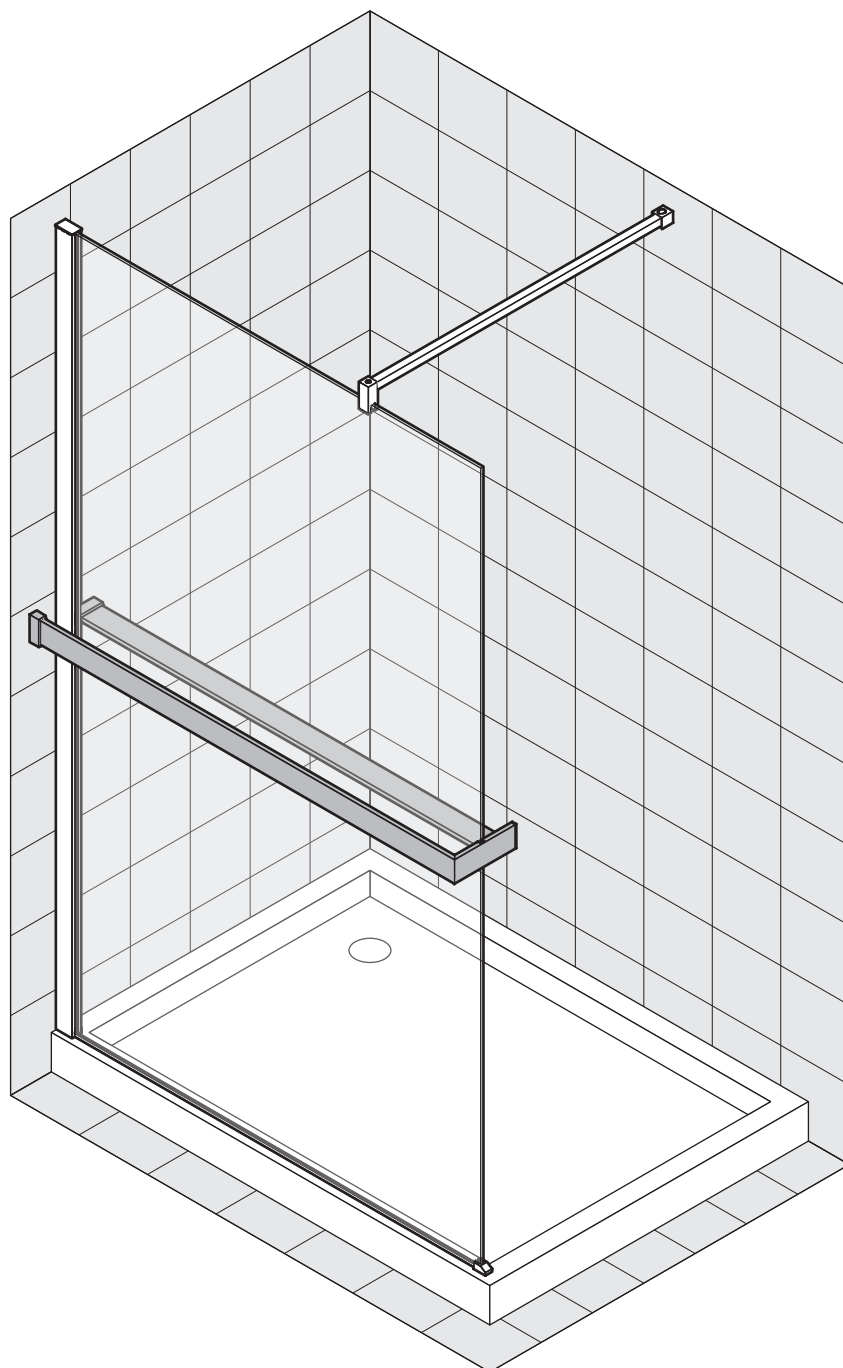


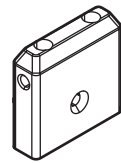
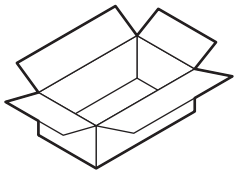
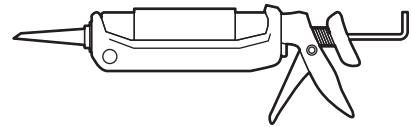
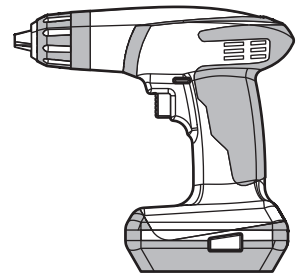
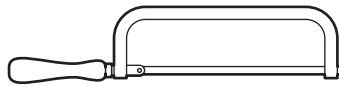
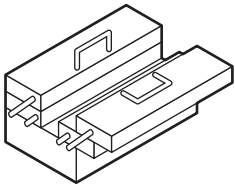
FRAME

 **NOVELLINI**

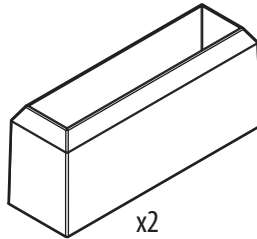
HD



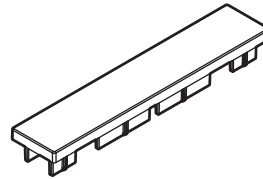
<hr/> <hr/> <hr/> <hr/>	<hr/> <hr/> <hr/> <hr/>
-------------------------	-------------------------



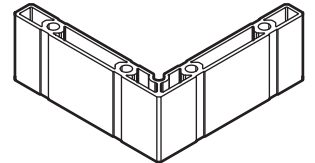
x1



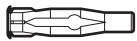
x2



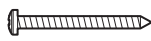
x1



x1



FU8x50 x4



3,5x38 x2



M4x35 x1



3,5x9,5 x3



4,5x60 x4



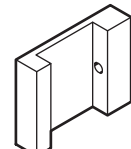
M5x20 x4



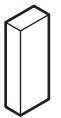
M4x8 x1



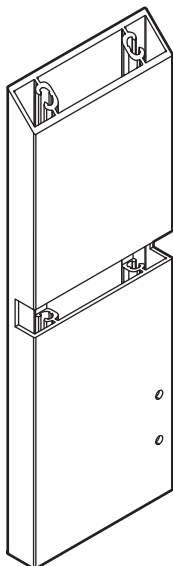
x3



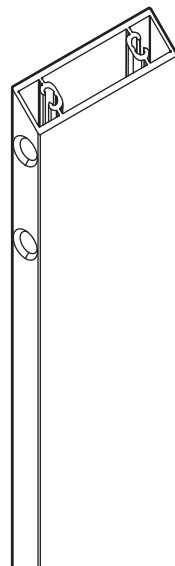
x1



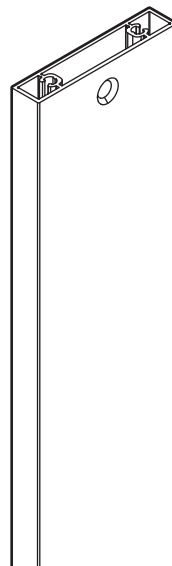
x1



x1

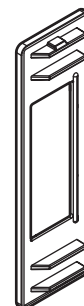


x1



x1

2

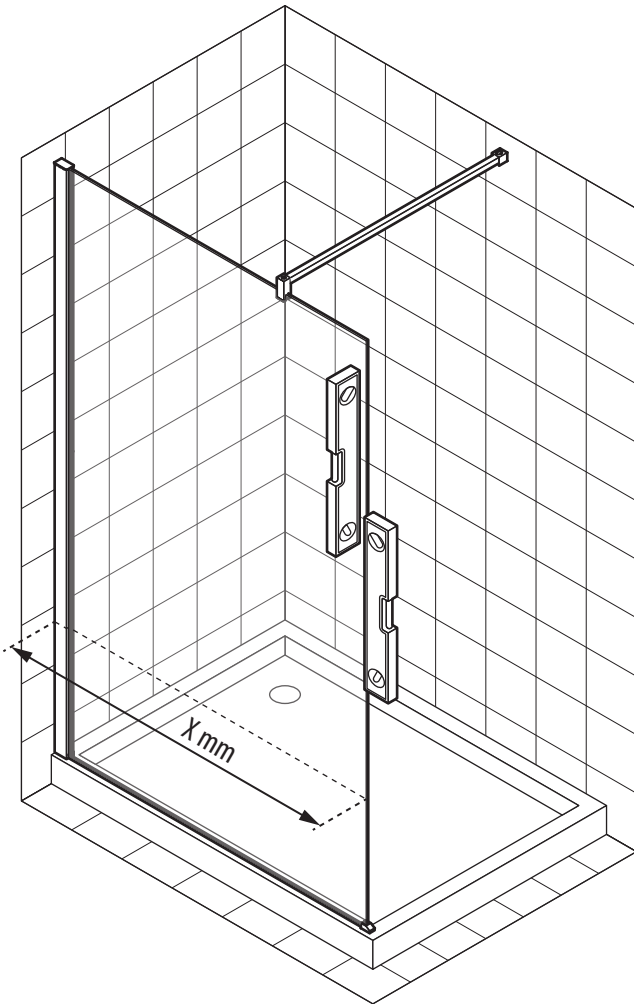



x1

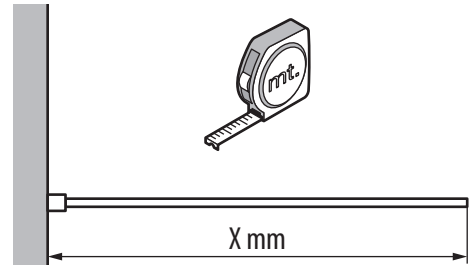


x1

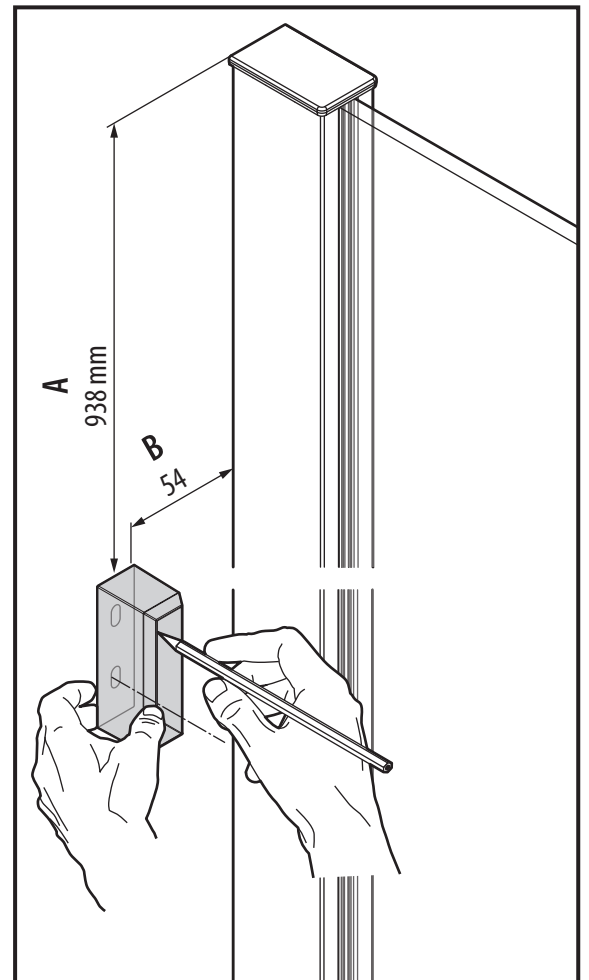
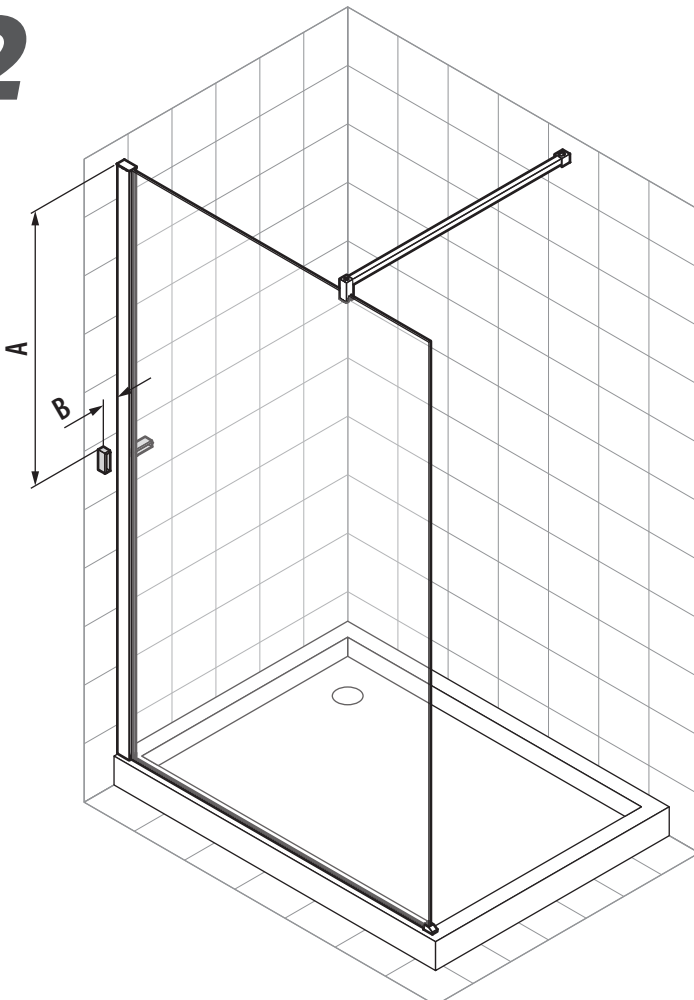
1



H	X mm	
60	570-600	OPTIONAL
70	670-700	
75	720-750	
80	770-785	
85	820-850	
90	870-885	
100	970-985	
110	1070-1100	OK
120	1170-1185	
130	1270-1285	
140	1370-1385	
150	1470-1485	
160	1570-1600	

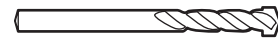
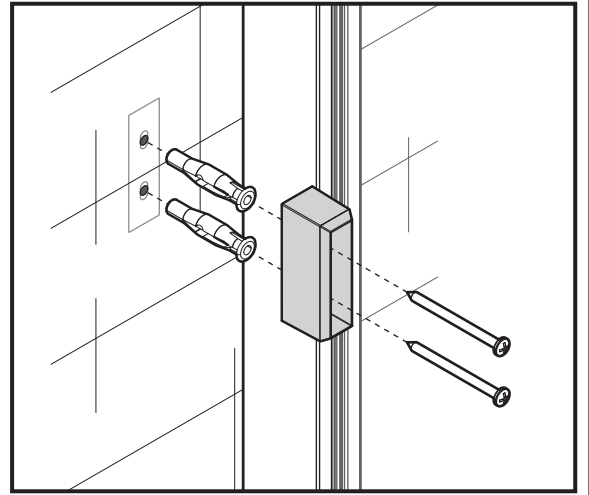
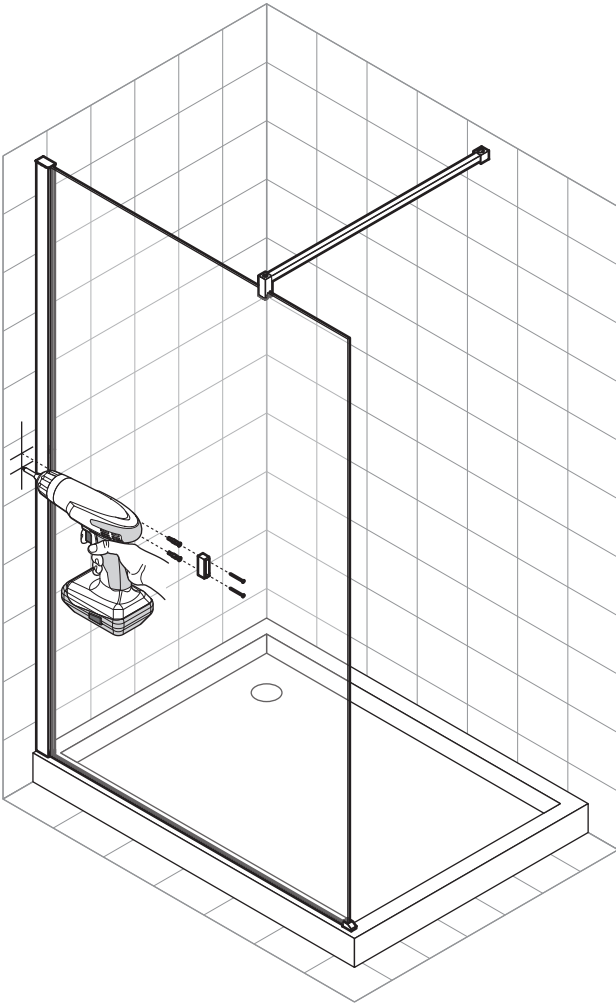


2

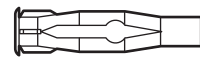


3

3



$\varnothing 8 \text{ mm}$

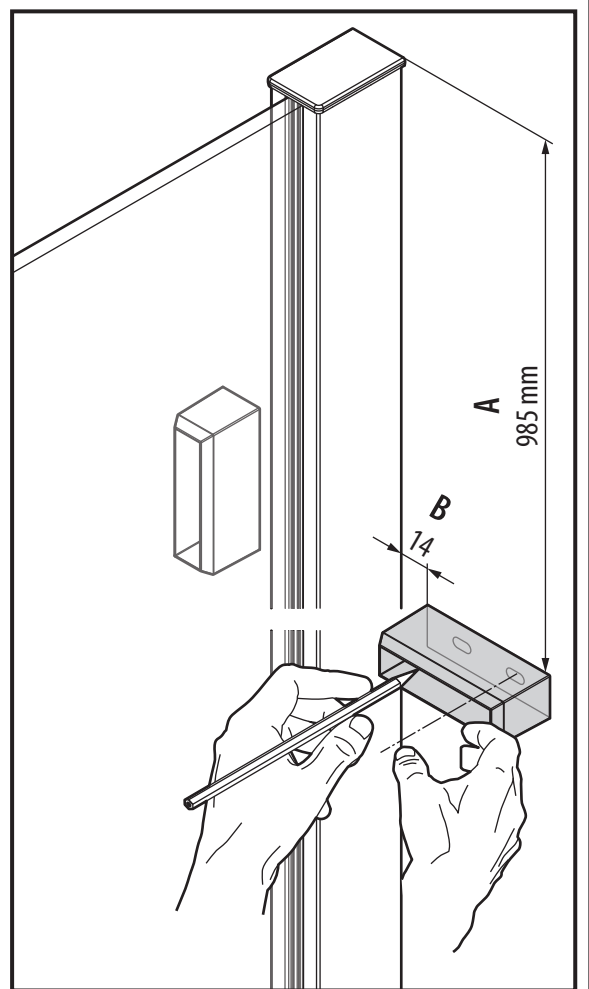
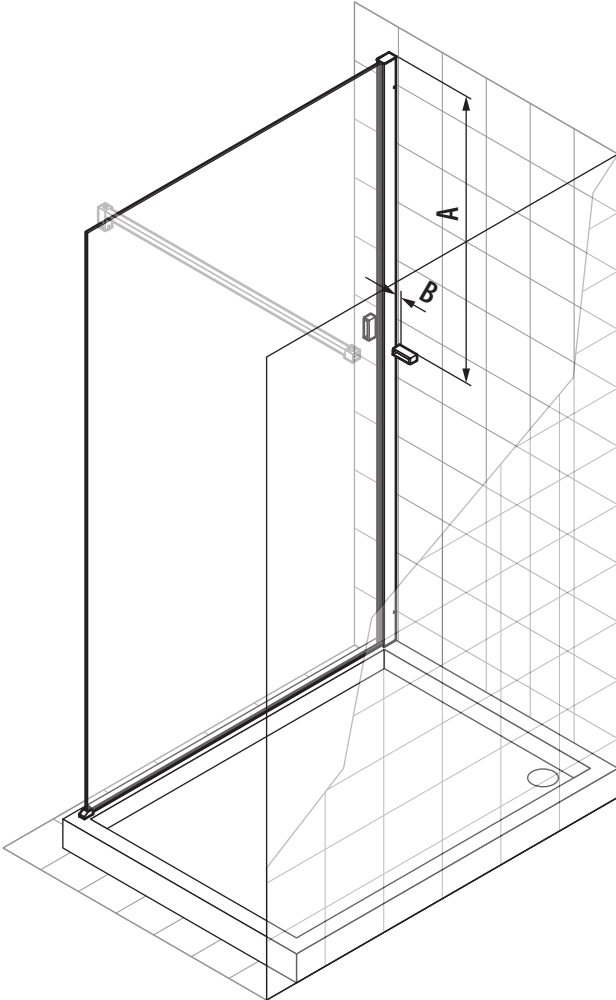


FU8x50 x2



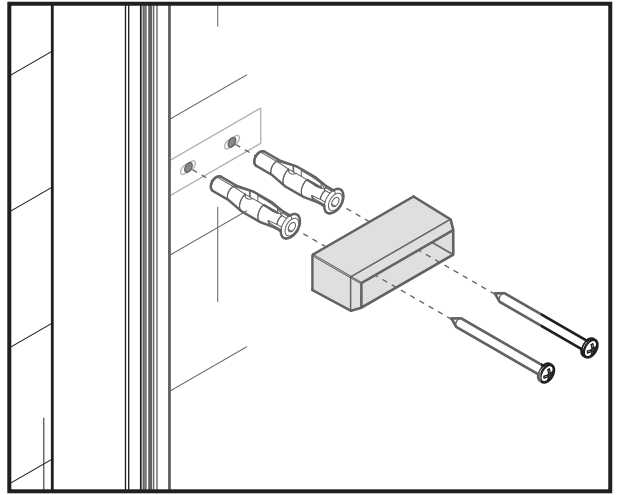
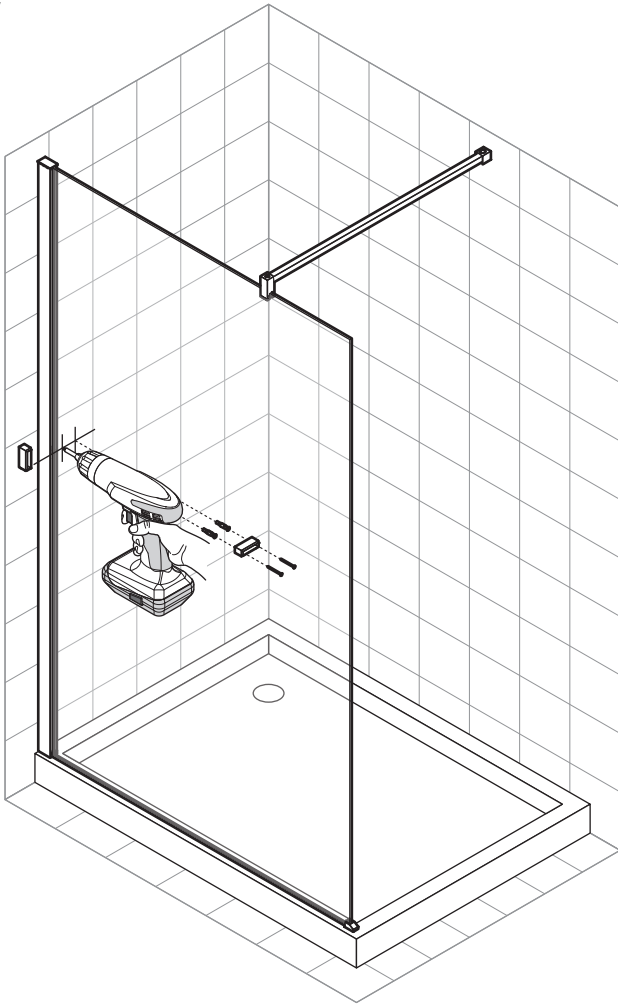
4,5x60 x2

4

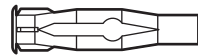


4

5



ø8 mm

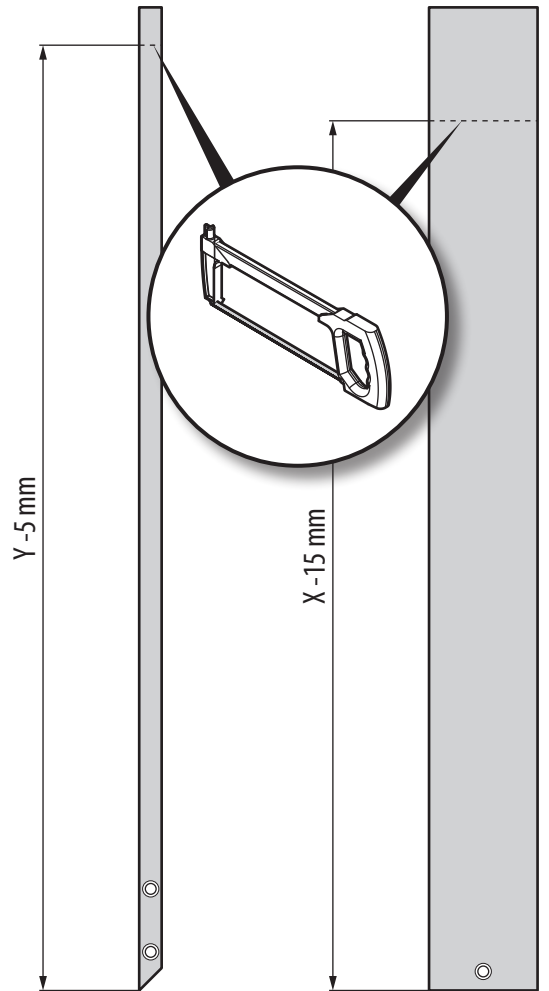
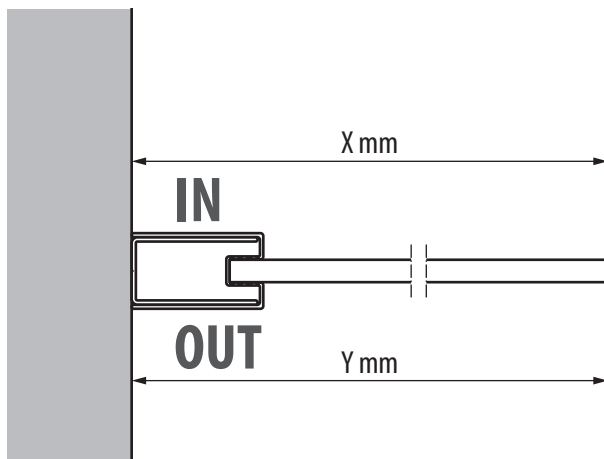
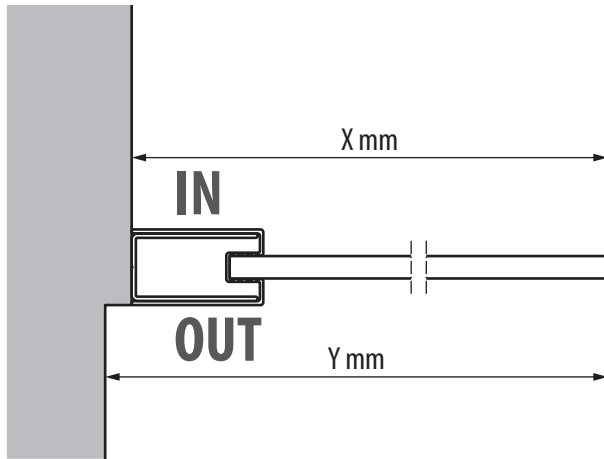


FU8x50 x2



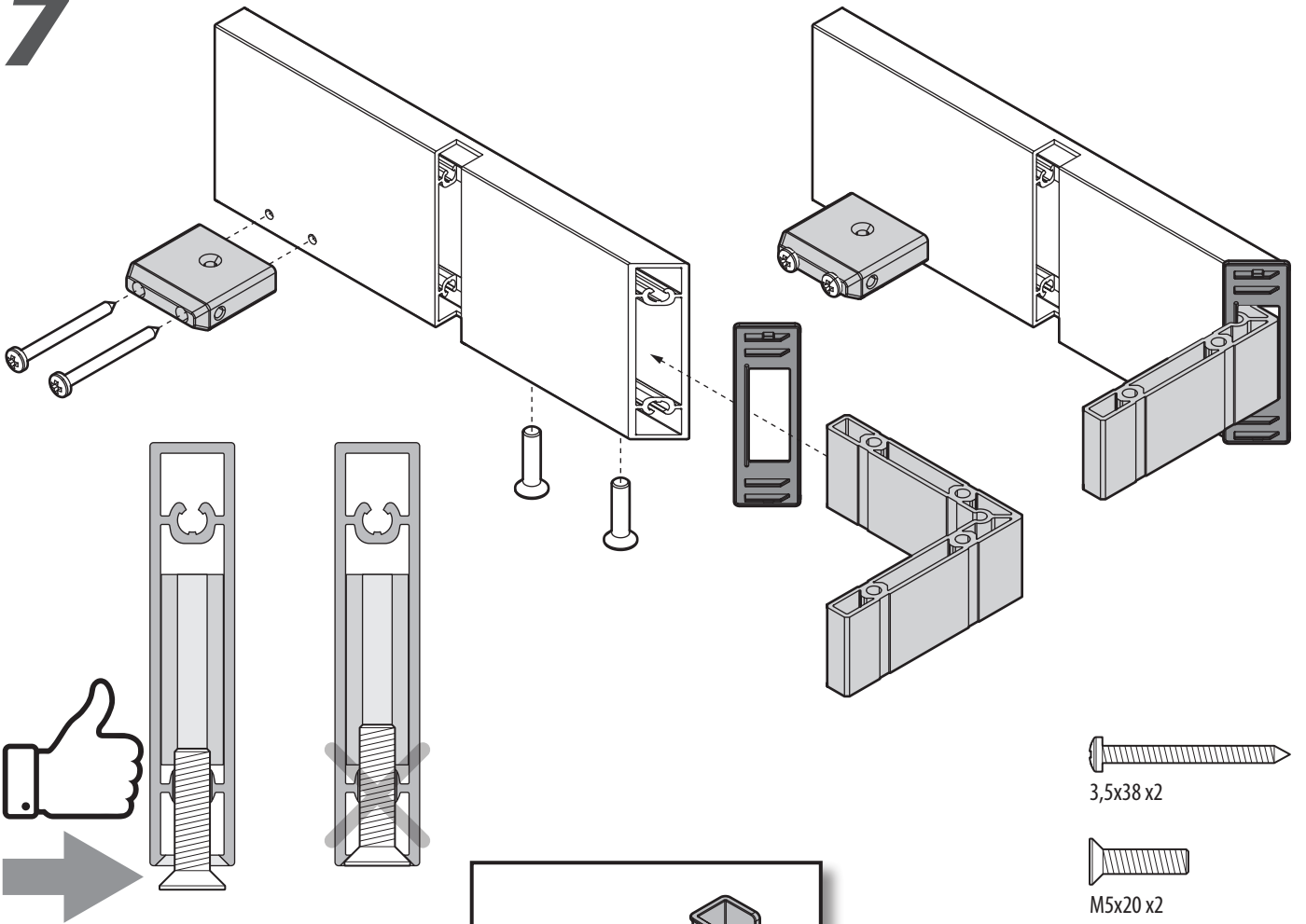
4,5x60 x2

6

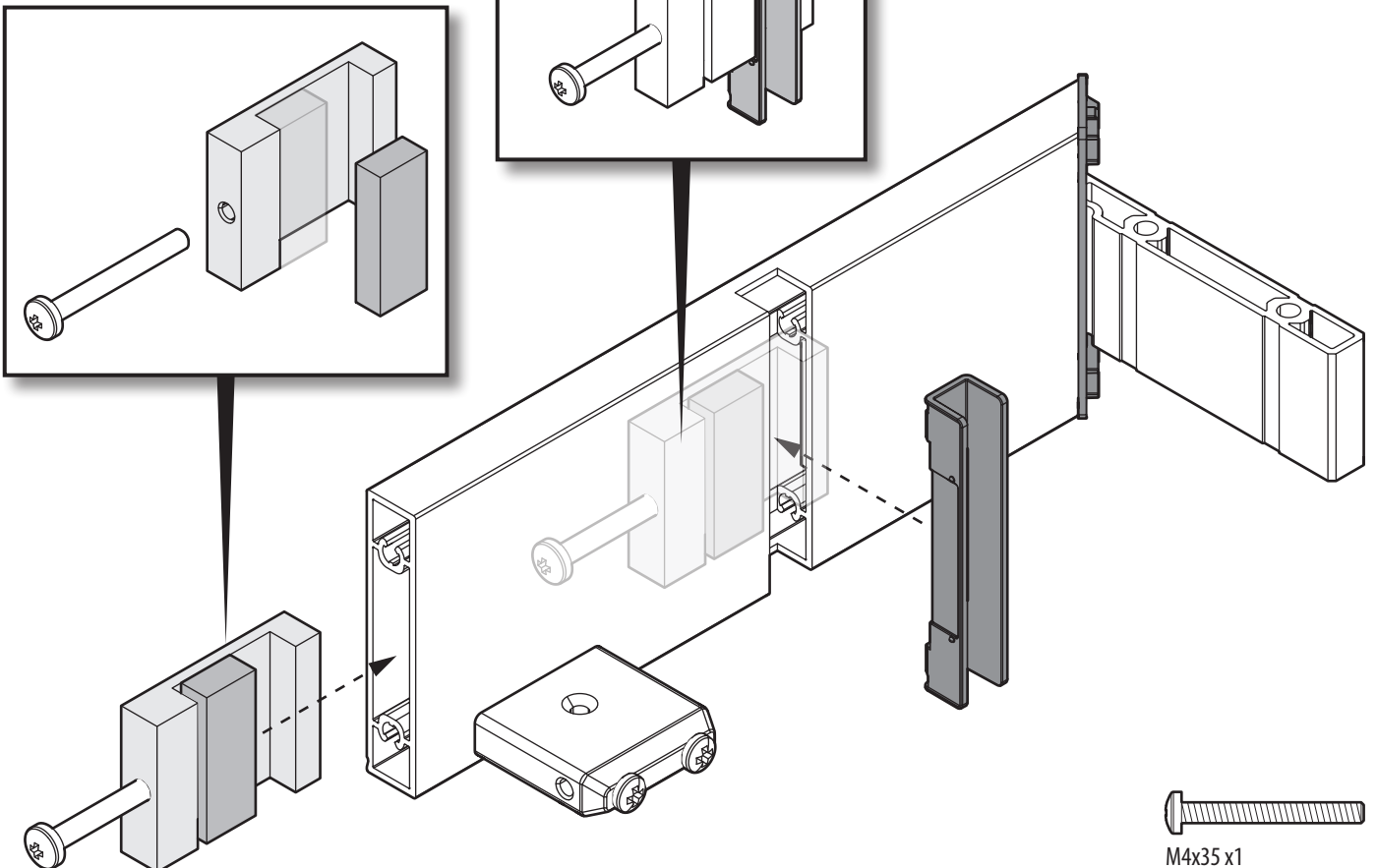


5

7

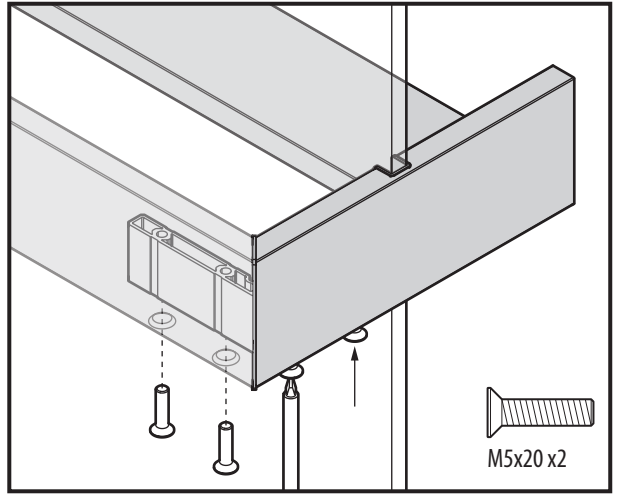
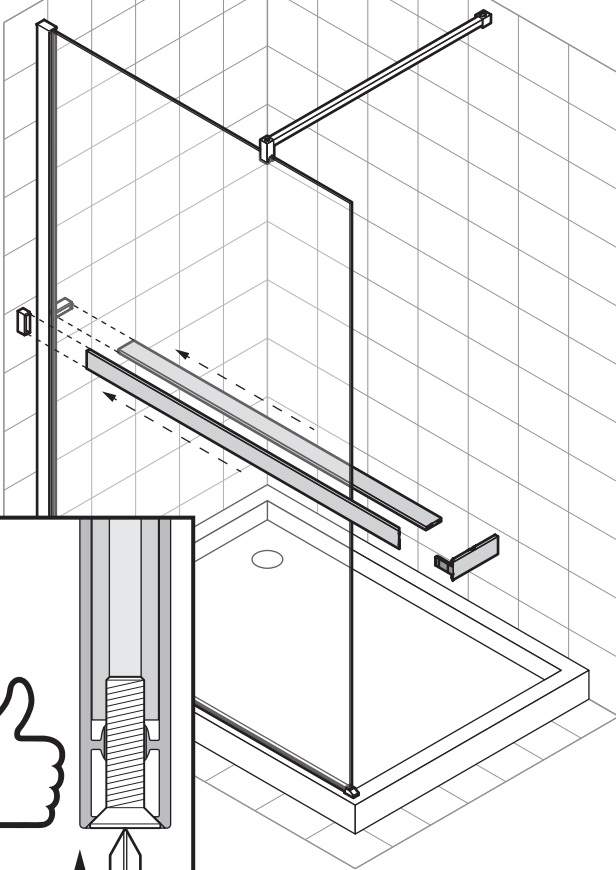


8

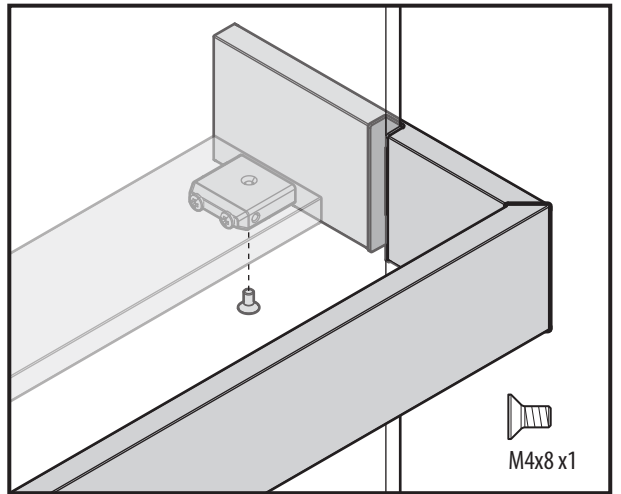


6

9

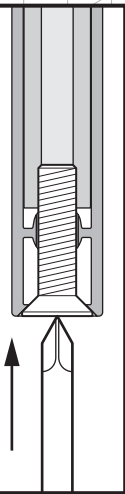


M5x20 x2

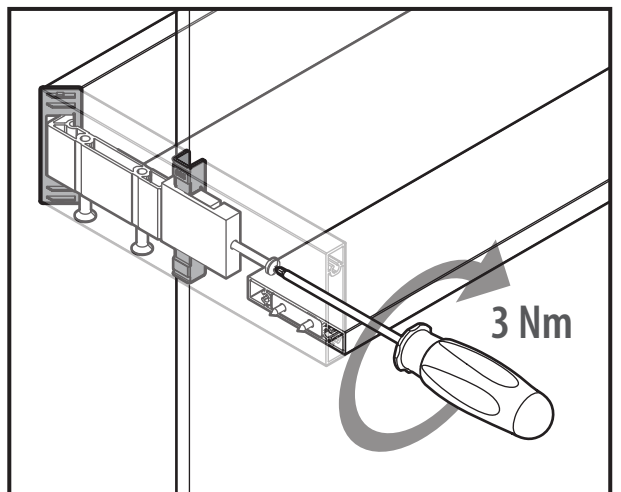
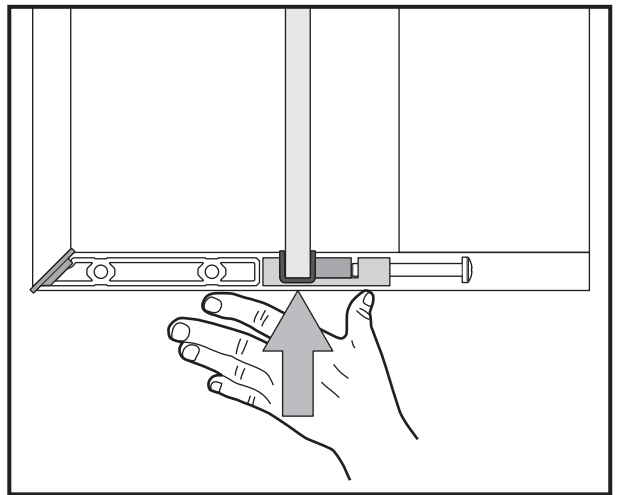
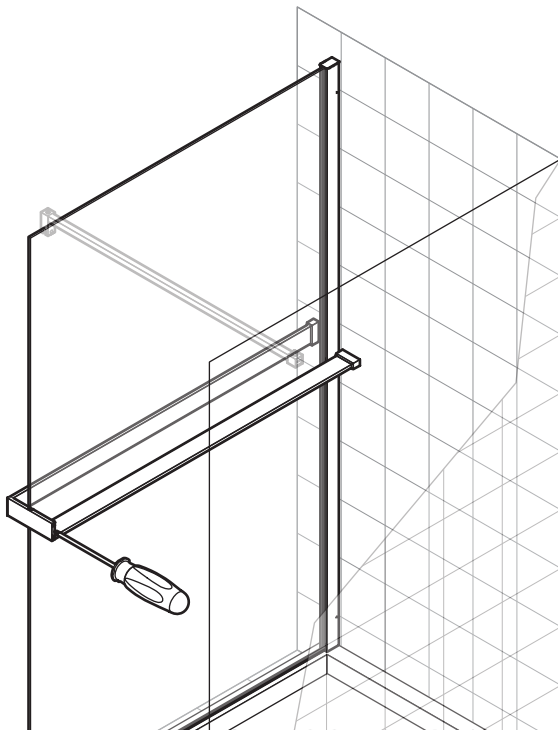


M4x8 x1

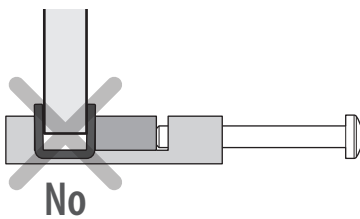
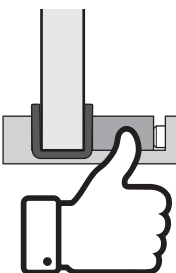
x4



10



3 Nm



No

11

