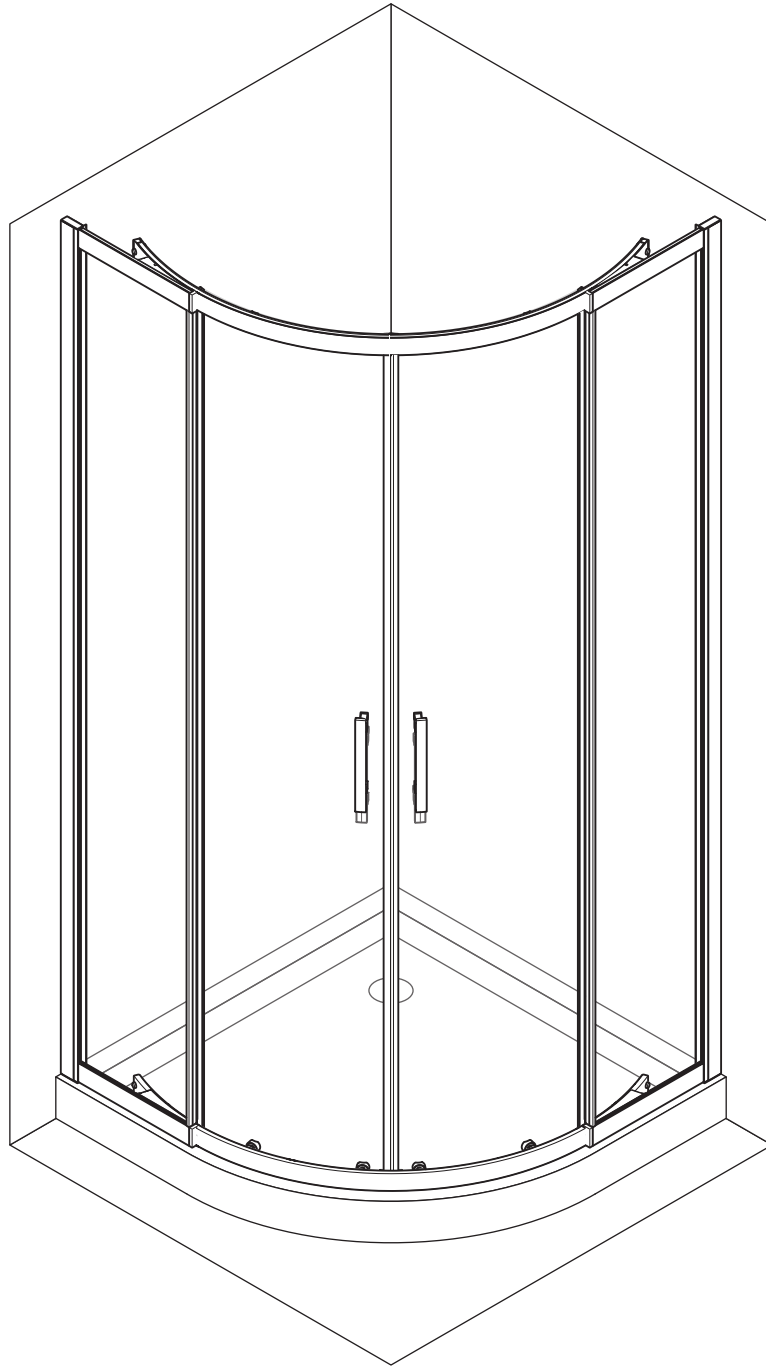
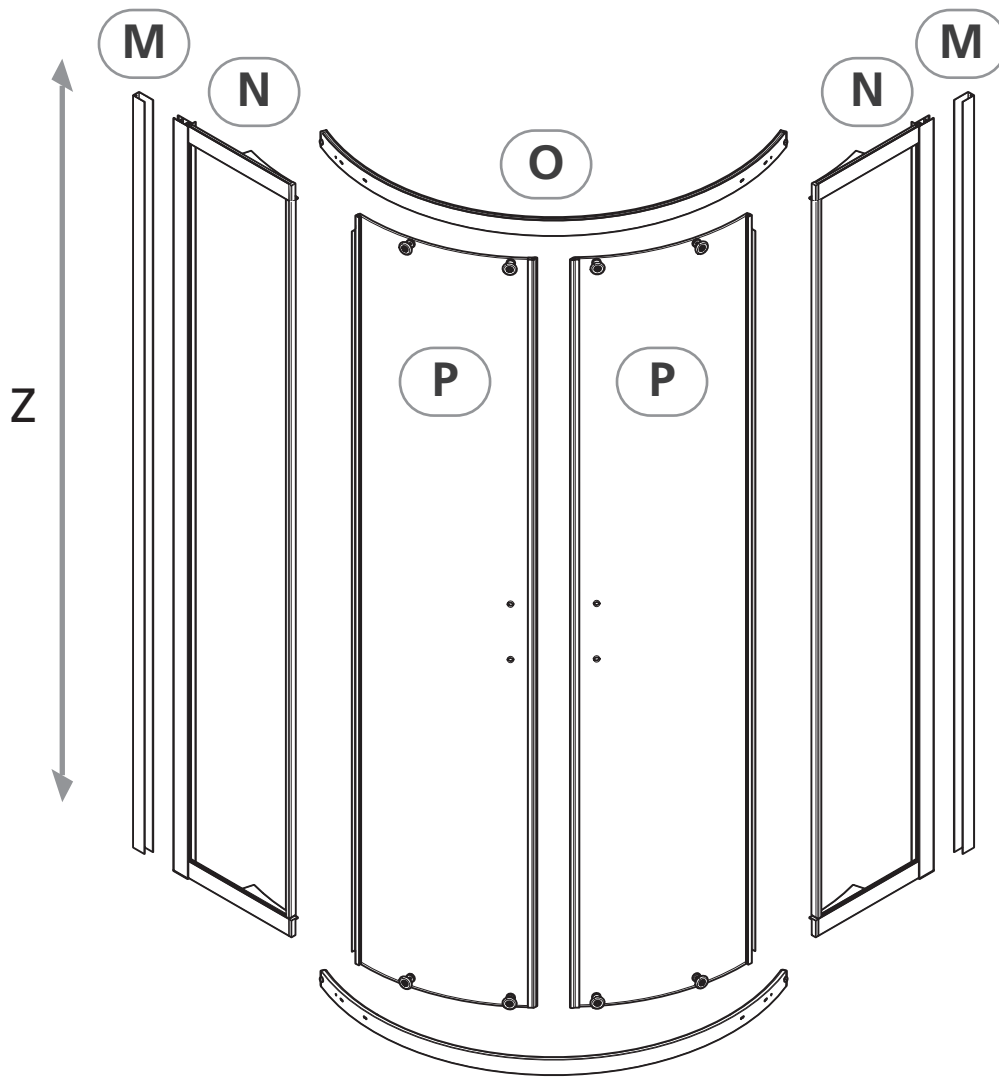


ZEPHYROS

R

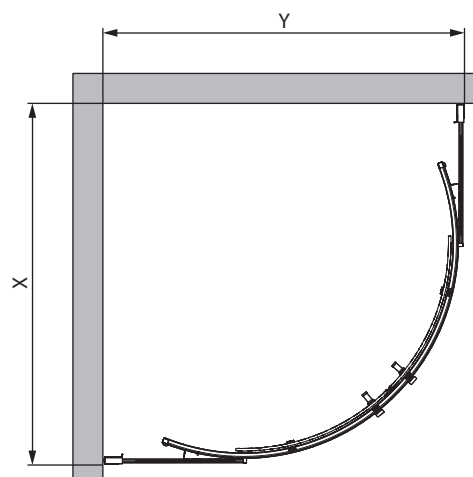




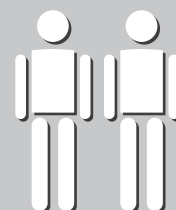
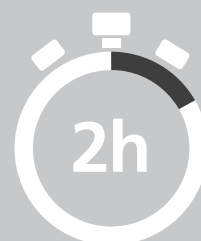
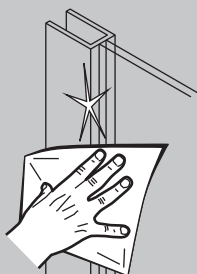
R80	X=77,5-80,5 cm	Y=77,5-80,5 cm	Z=195 cm
R90	X=87,5-90,5 cm	Y=87,5-90,5 cm	Z=195 cm
R100	X=97,5-100,5 cm	Y=97,5-100,5 cm	Z=195 cm
R120	X=117,5-120,5 cm	Y=117,5-120,5 cm	Z=195 cm

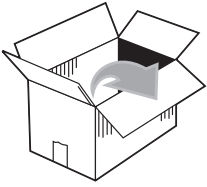


R80x100	X=77,5-80,5 cm	Y=97,5-100,5 cm	Z=195 cm
R80x120	X=77,5-80,5 cm	Y=117,5-120,5 cm	Z=195 cm
R90x120	X=87,5-90,5 cm	Y=117,5-120,5 cm	Z=195 cm

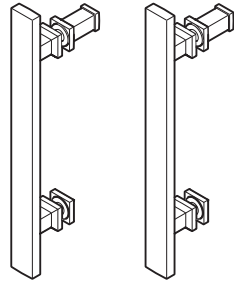


**CLEANIT
OR
WATER ONLY**

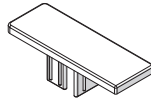




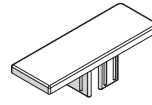
B1



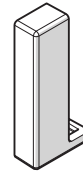
B2



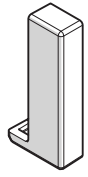
B3



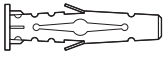
B4 x2



B5 x2



C1 x4



C2 x4



4X35 mm

C3 x8



M4x10 mm

C4 x6



3,5x9,5 mm

C5 x4

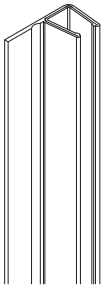


3,5x10 mm

C6 x6

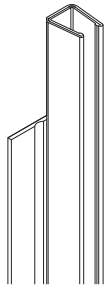


D2



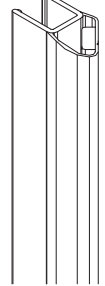
h 1865 mm

x2



h 1931 mm

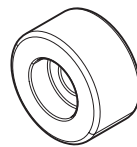
D3



h 1931 mm

x2

D4



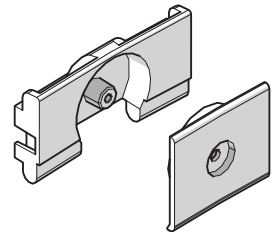
x4

D5

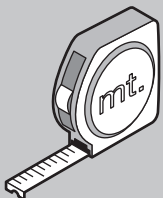
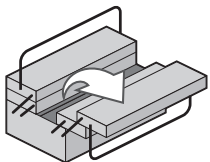


x8

D6



x2



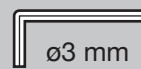
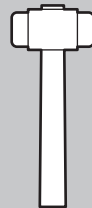
ø6 mm



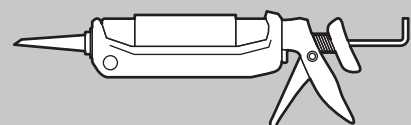
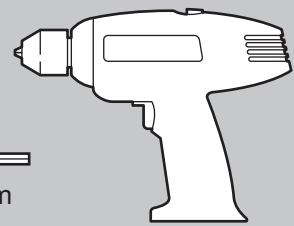
ø3 mm



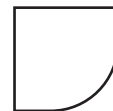
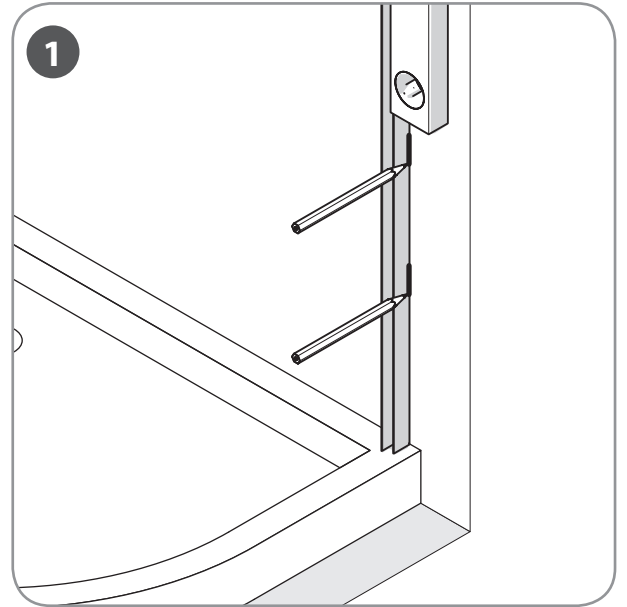
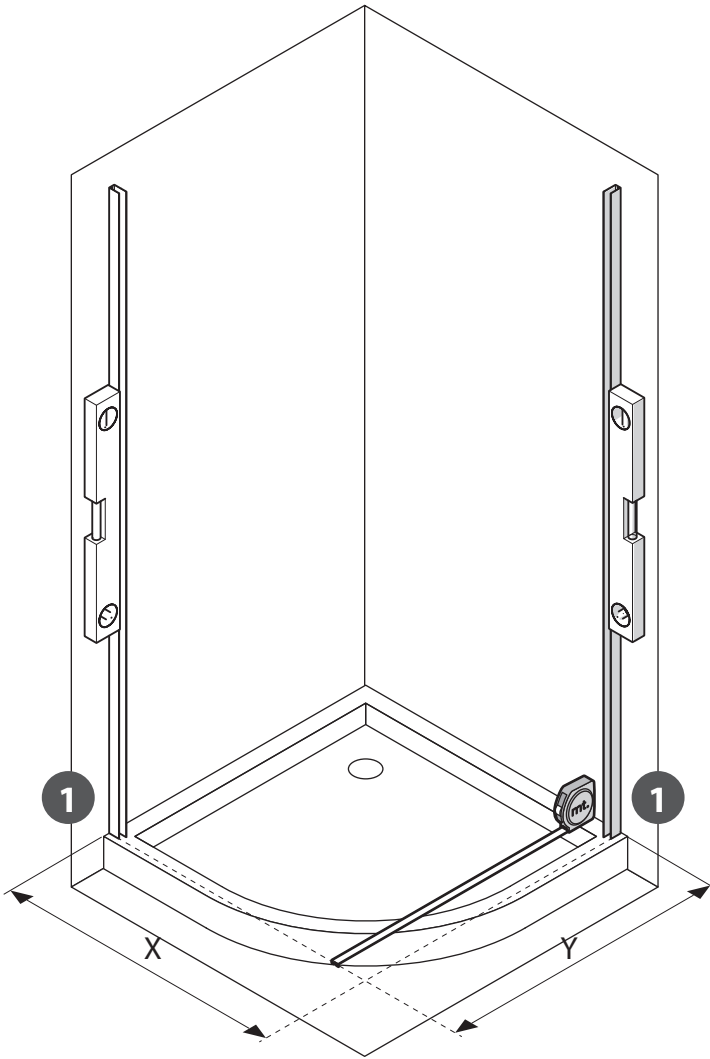
ø3 mm



ø3 mm



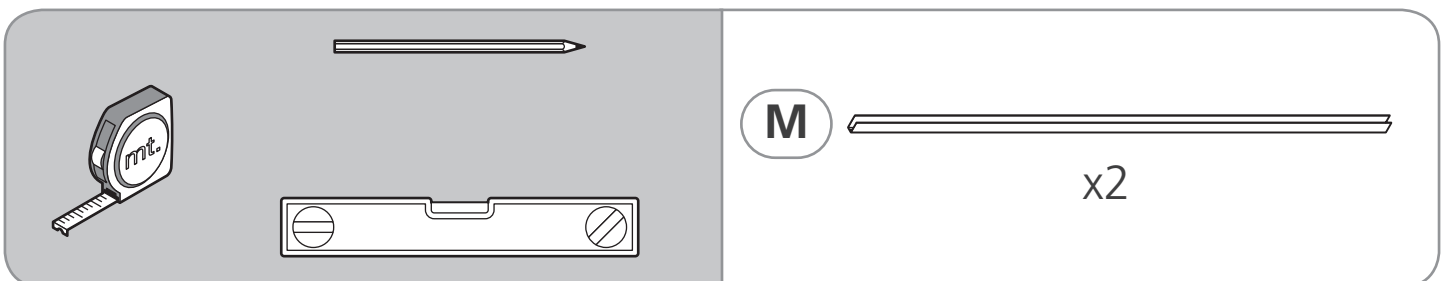
1

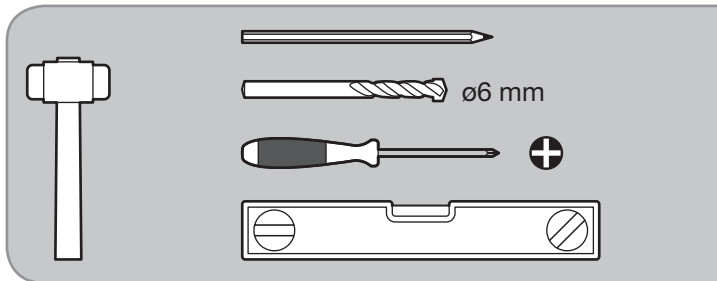
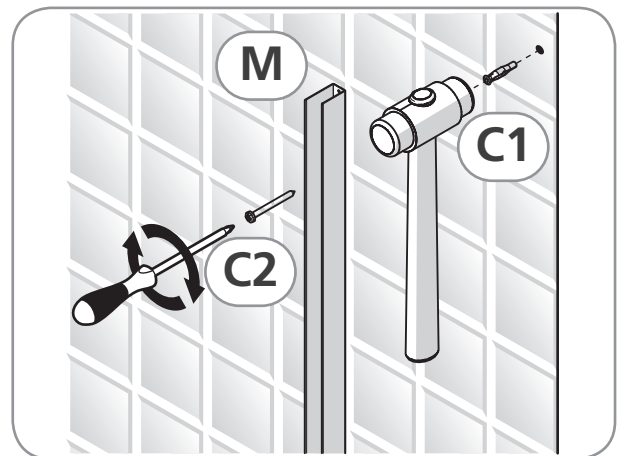
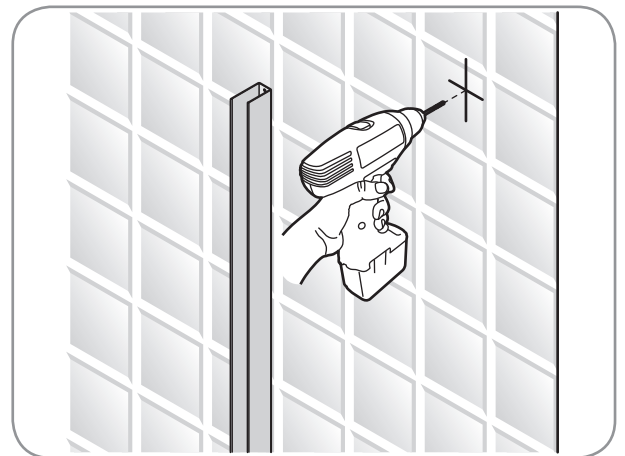
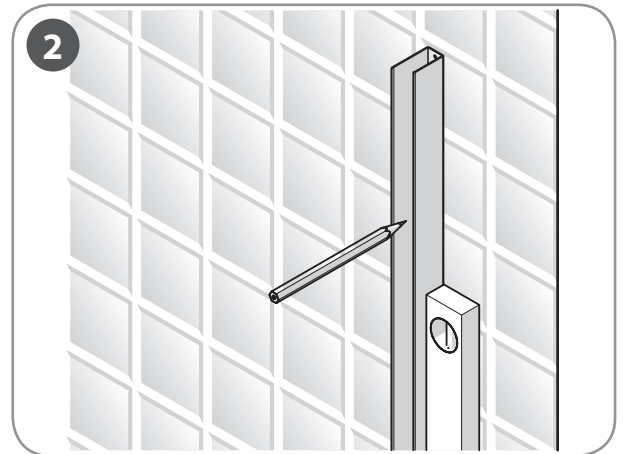
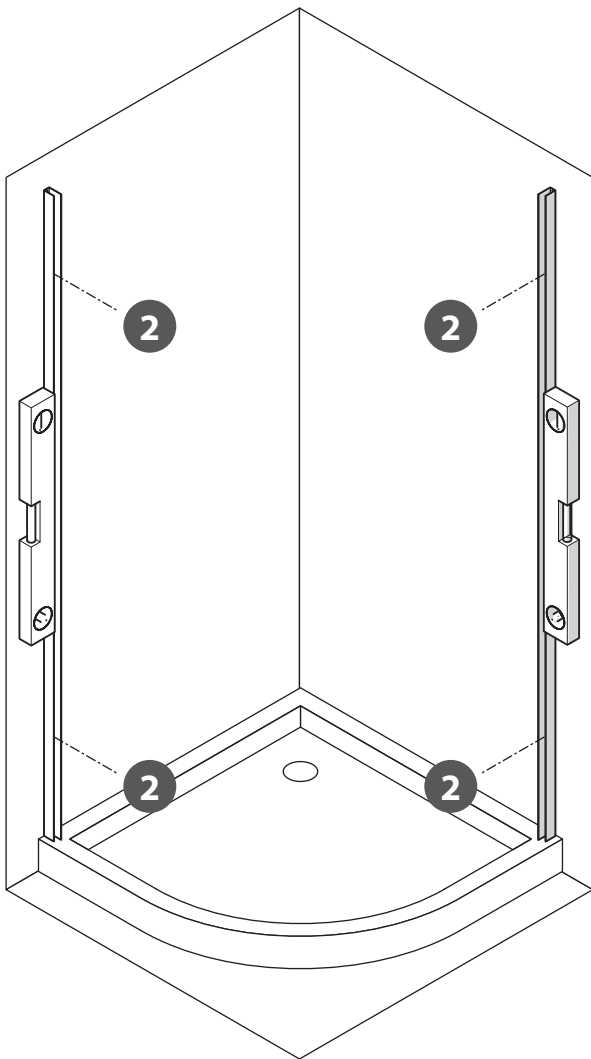


R80	X=77,5-80,5 cm	Y=77,5-80,5 cm
R90	X=87,5-90,5 cm	Y=87,5-90,5 cm
R100	X=97,5-100,5 cm	Y=97,5-100,5 cm
R120	X=117,5-120,5 cm	Y=117,5-120,5 cm



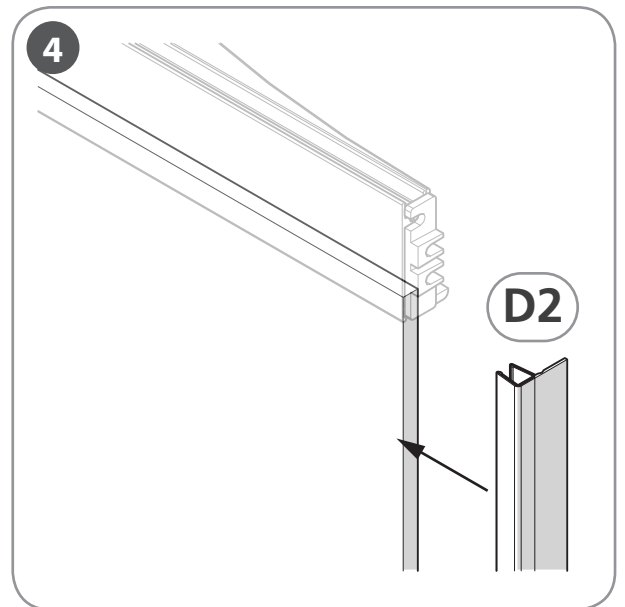
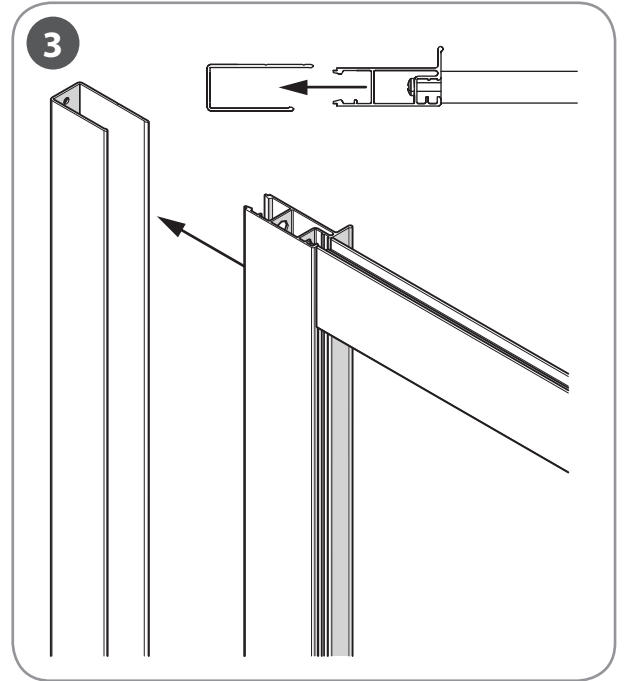
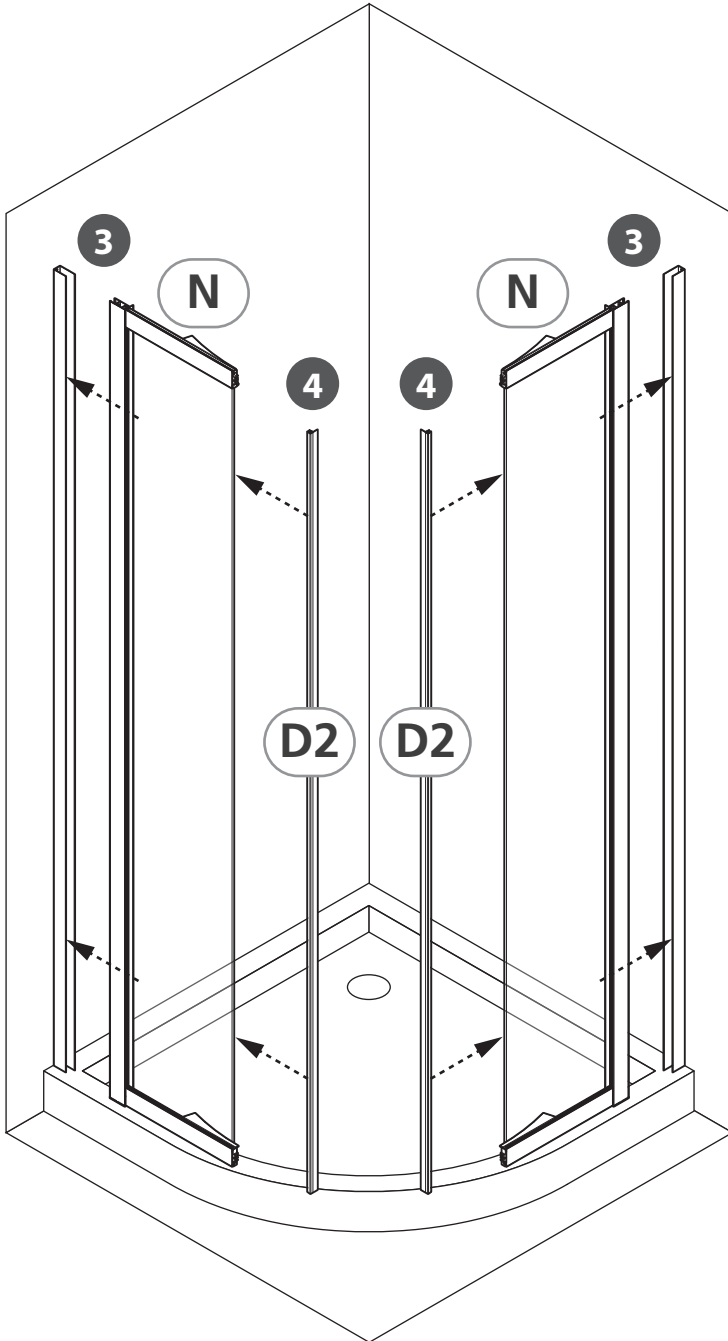
R80x100	X=77,5-80,5 cm	Y=97,5-100,5 cm
R80x120	X=77,5-80,5 cm	Y=117,5-120,5 cm
R90x120	X=87,5-90,5 cm	Y=117,5-120,5 cm





- M x2
- C2 4X35 mm x4
- C1 x4

3

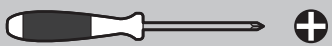
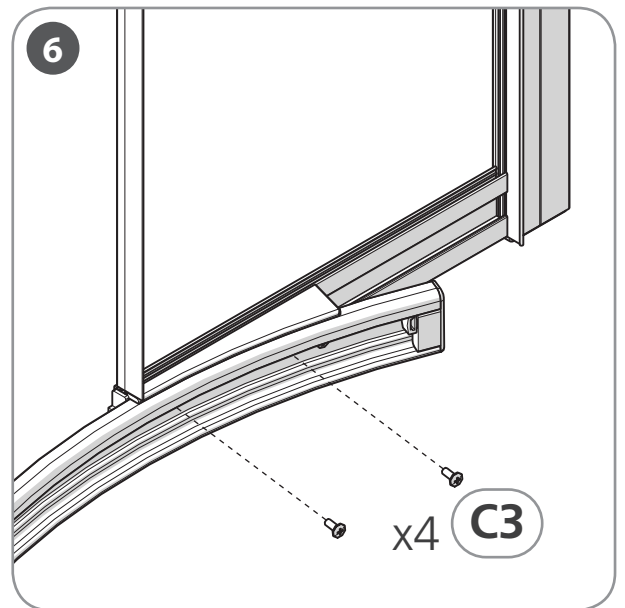
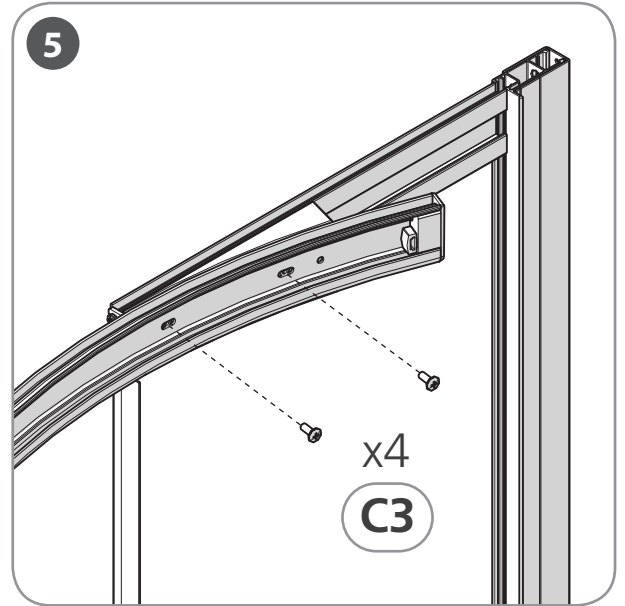
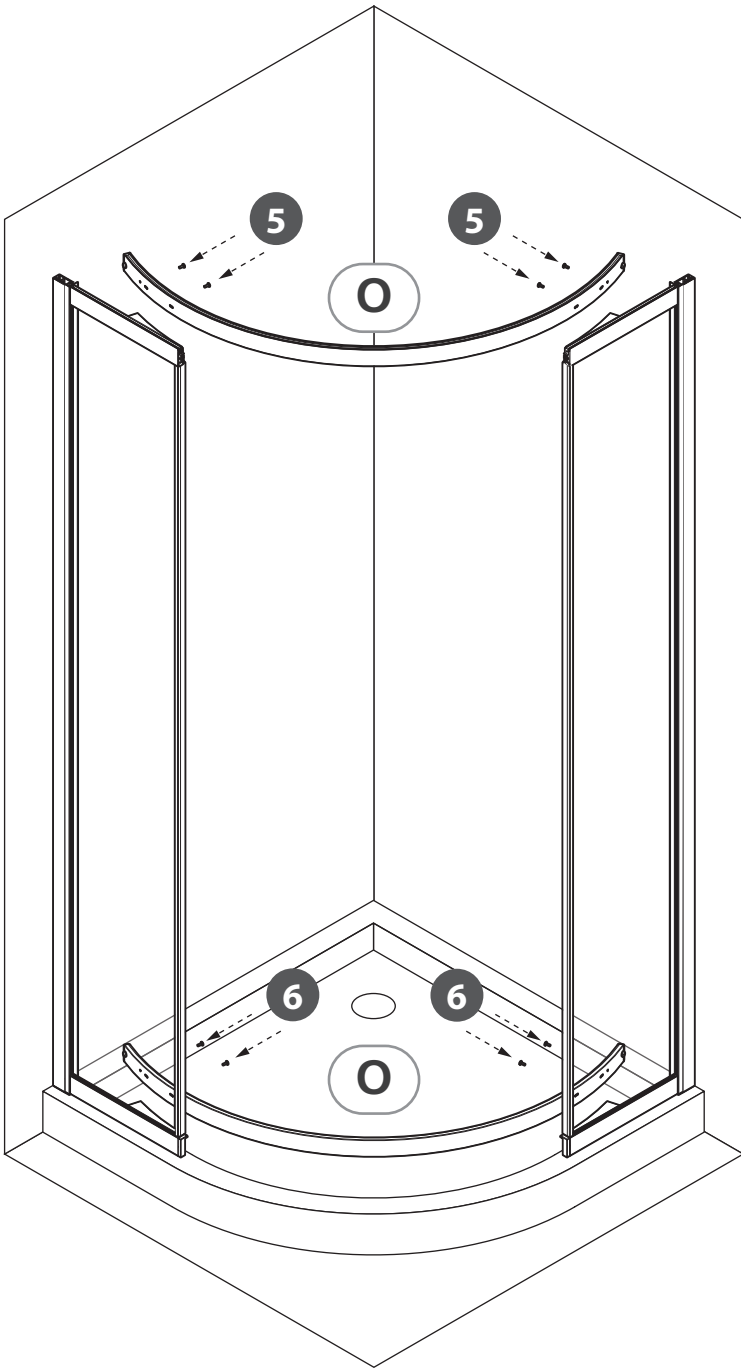


D2

x2

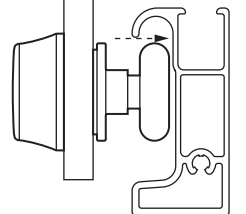
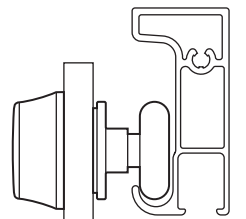
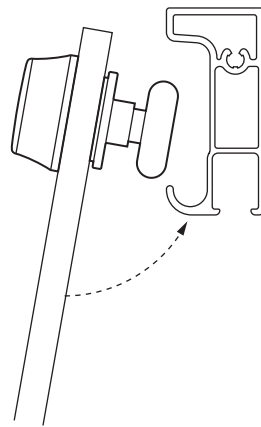
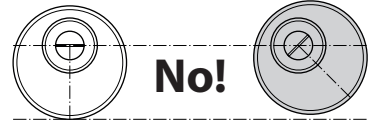
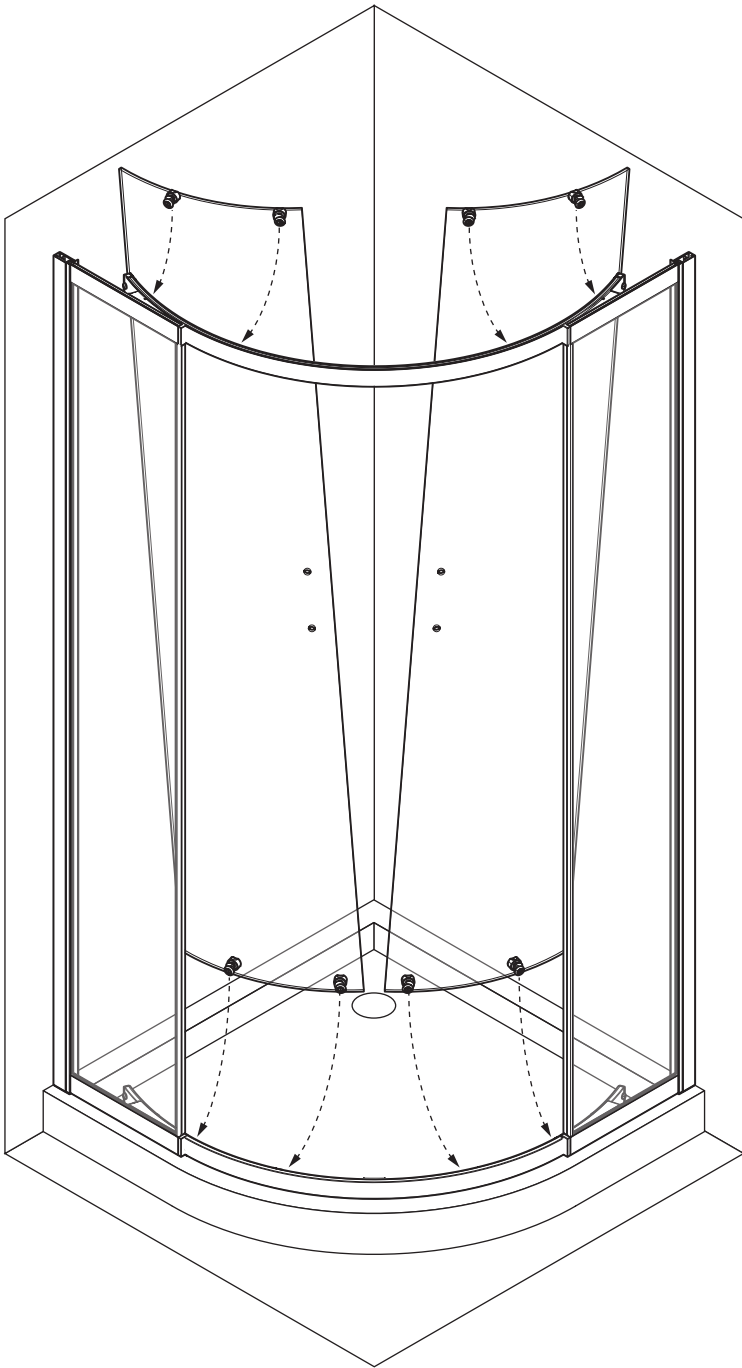


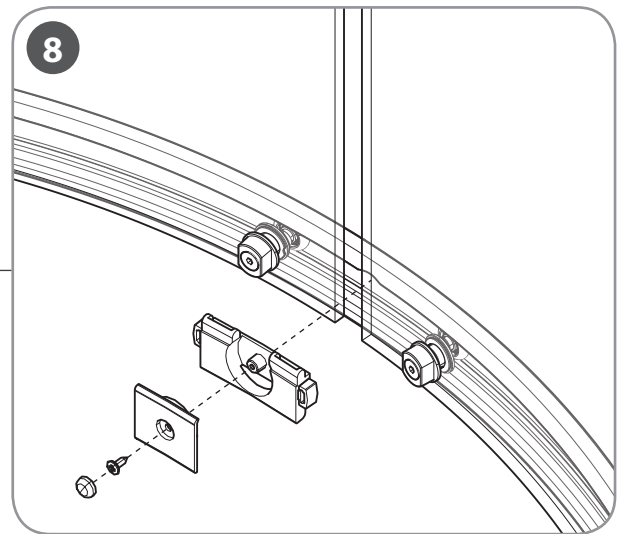
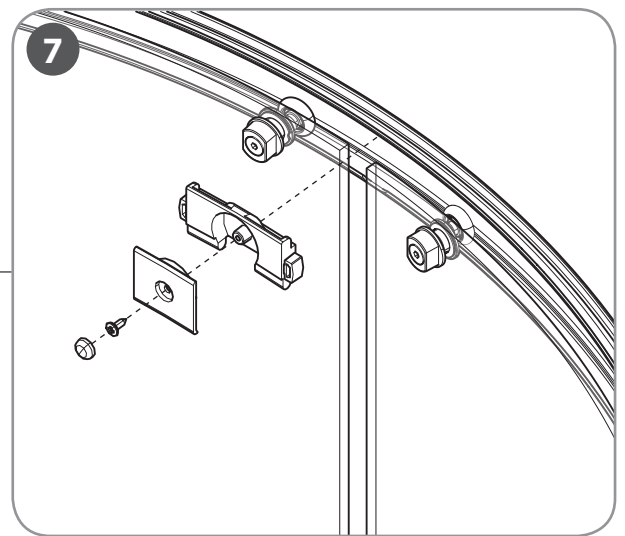
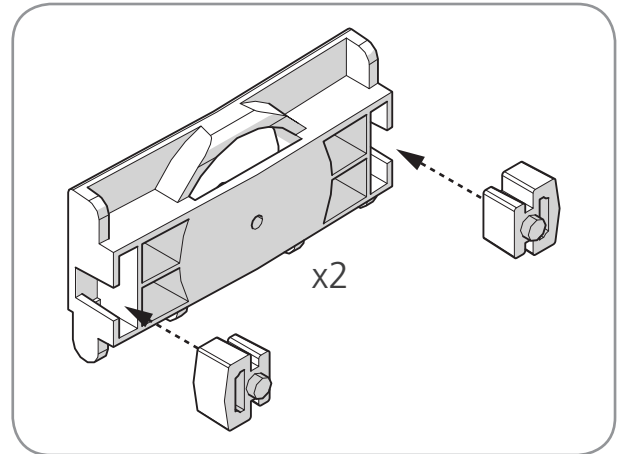
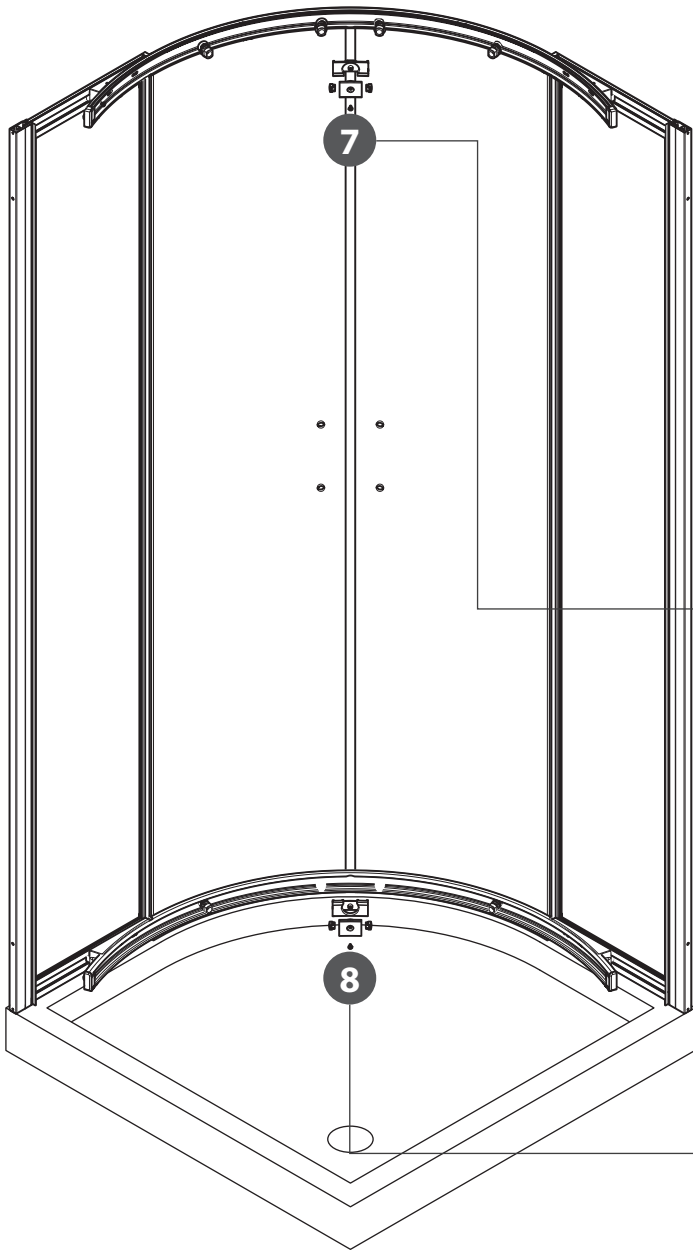
h 1865 mm



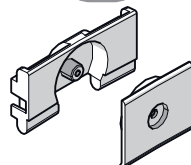
C3 
 x8 M4x10 mm

5





D6 x2



D5 x4



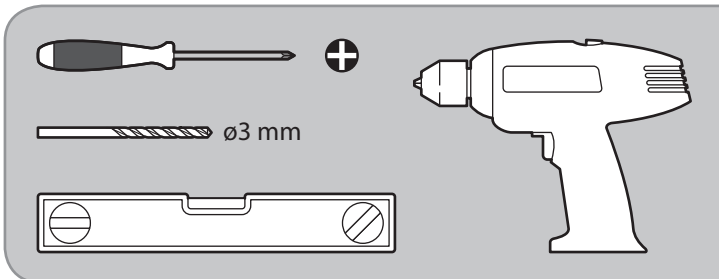
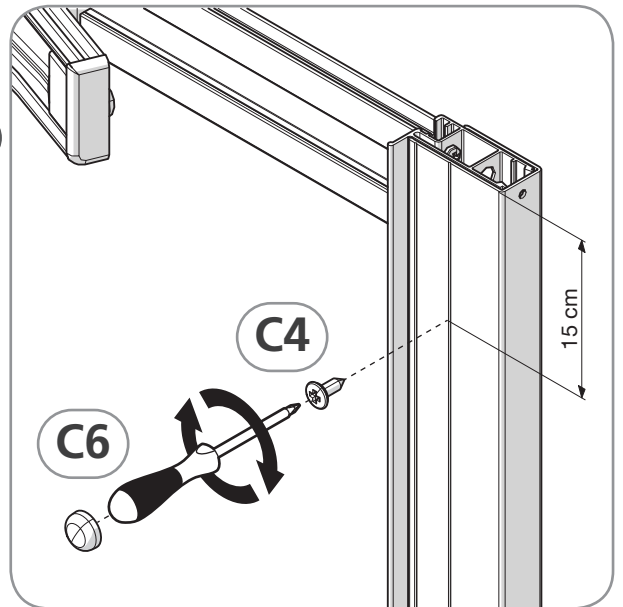
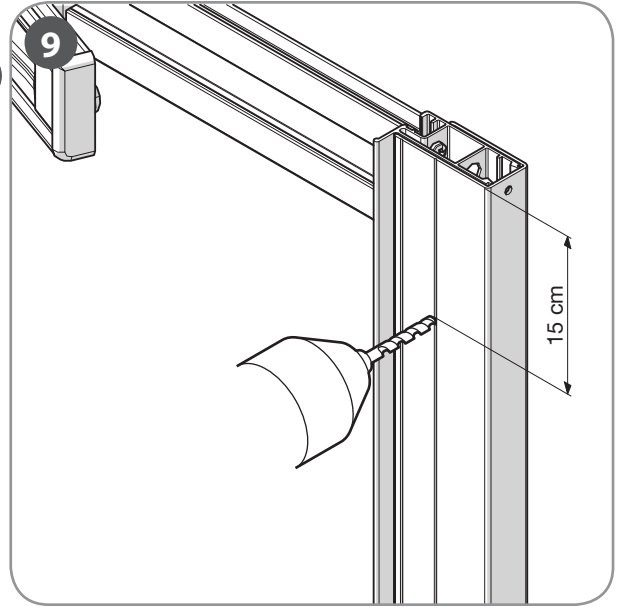
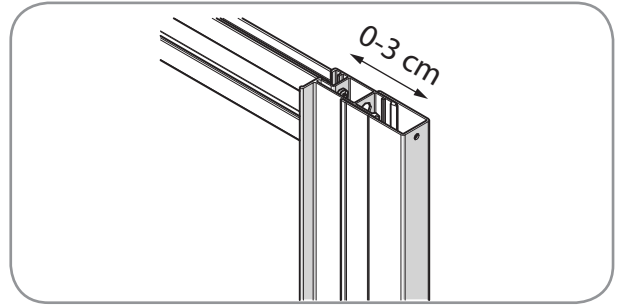
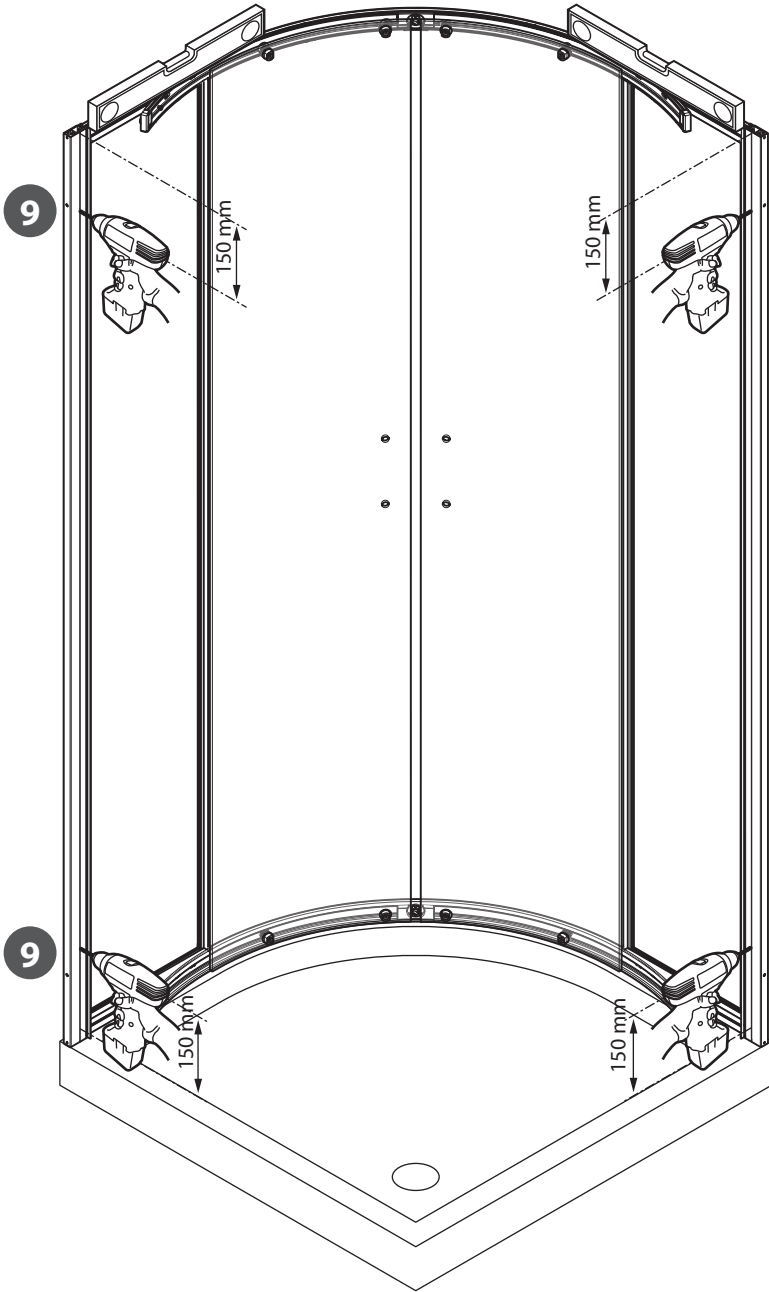
C4 x2




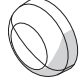
3,5X9,5 mm

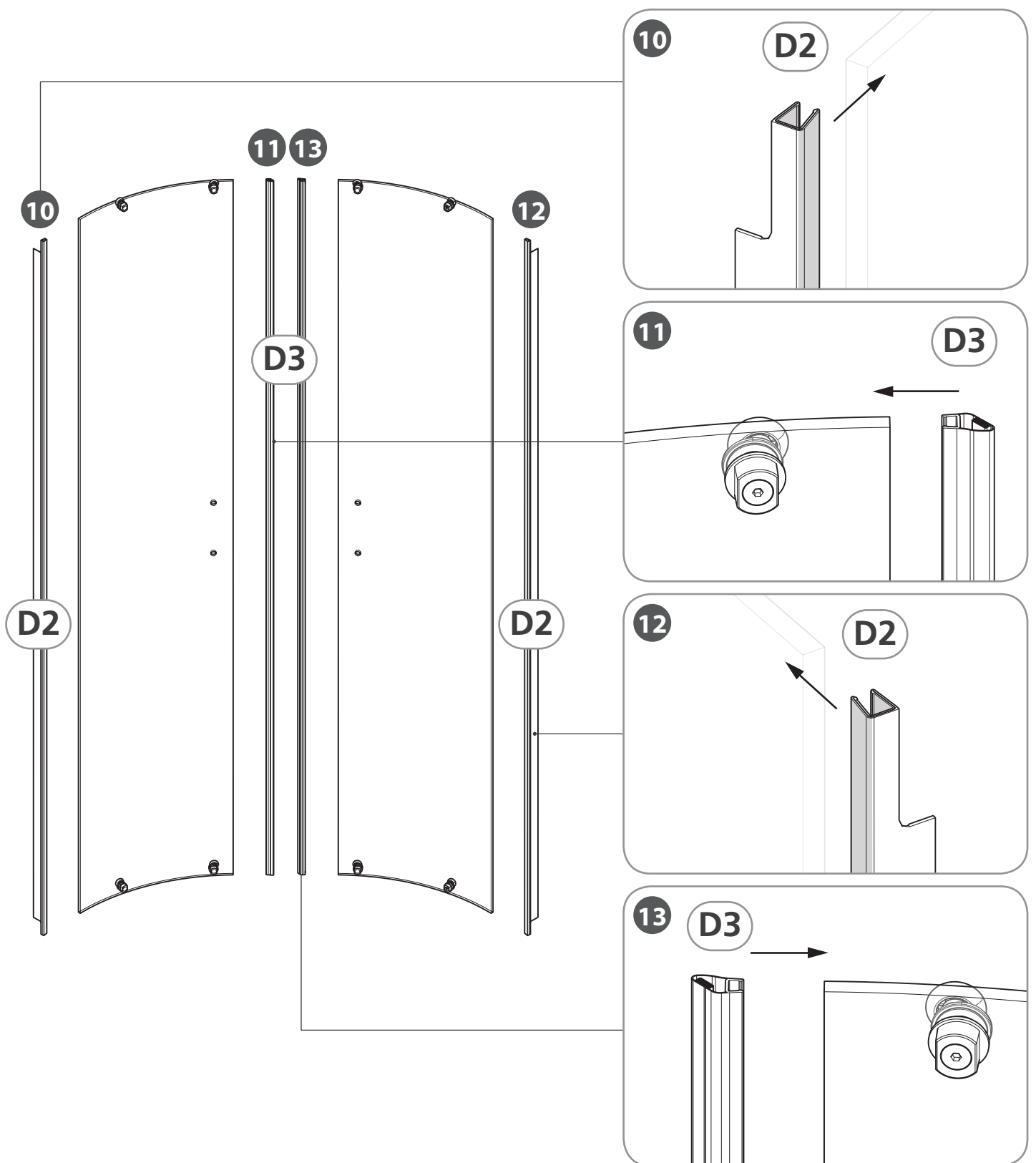
C6 x2





C4 
 3,5x9,5 mm
 x4

C6 
 x4



h 1931 mm

D2



x2

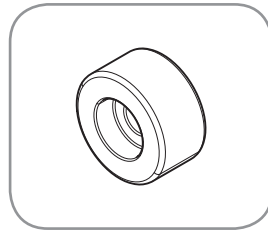
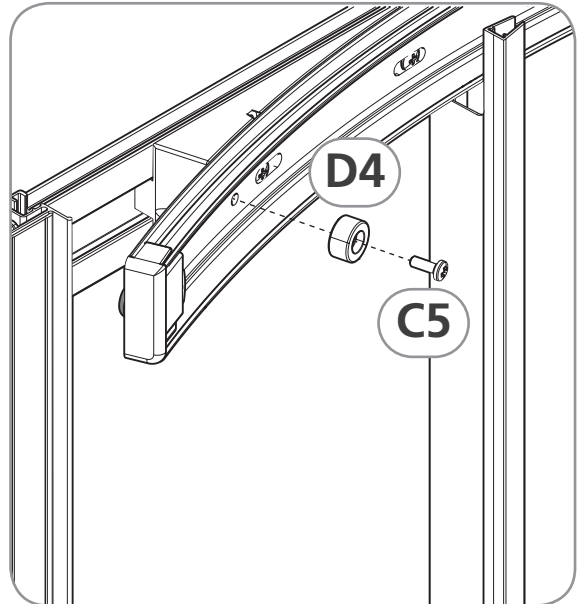
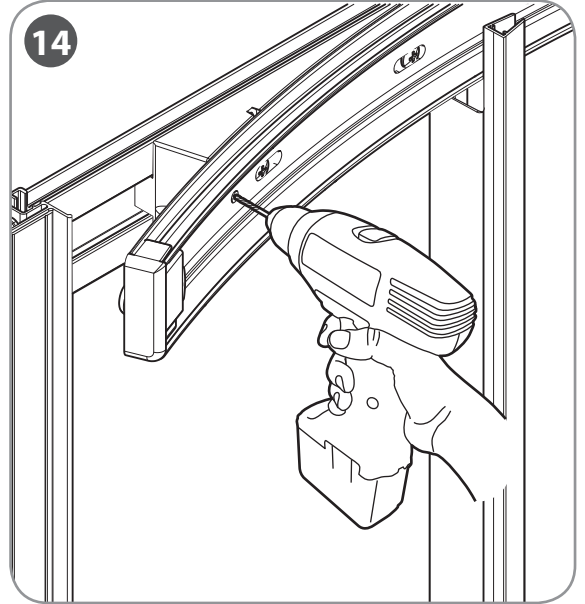
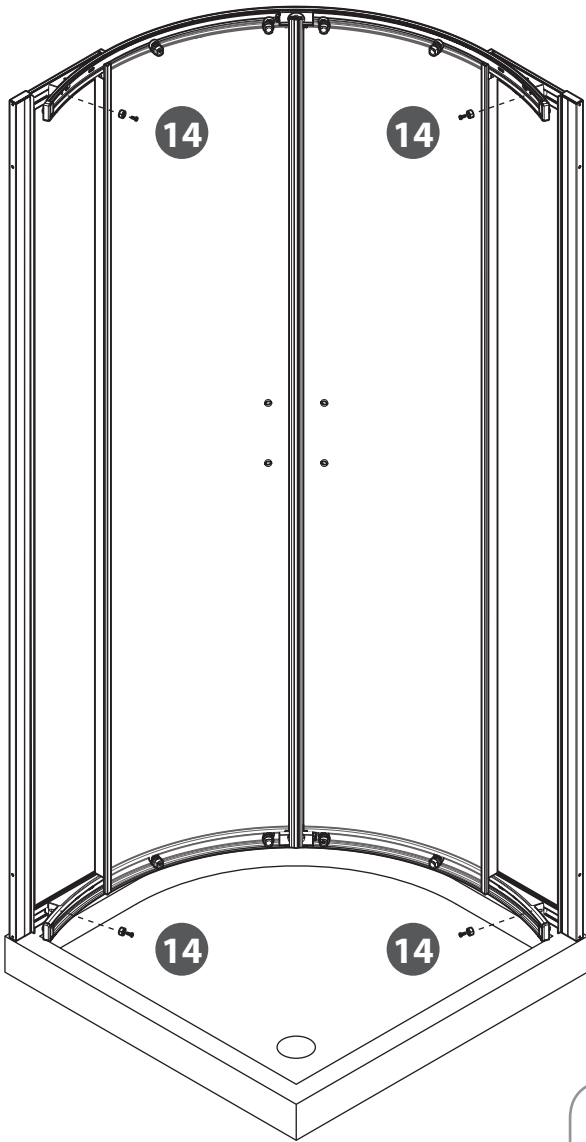
h 1931 mm

D3



x2

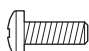
R80



 ø3 mm

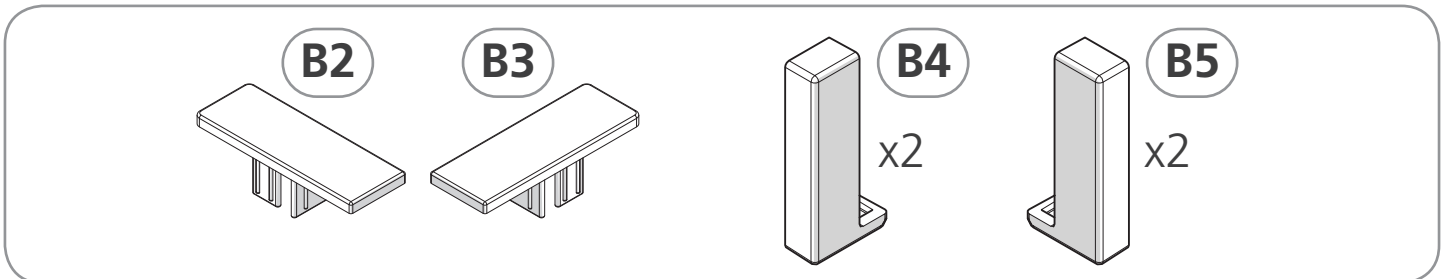
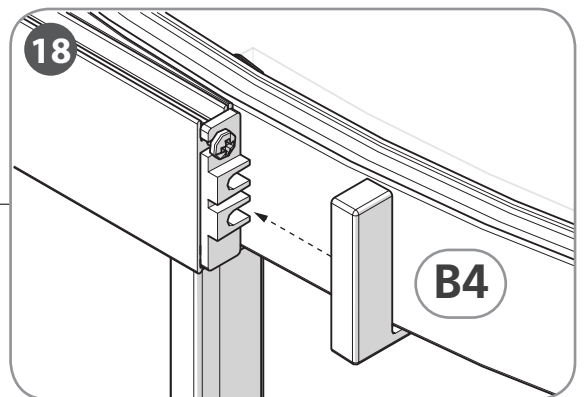
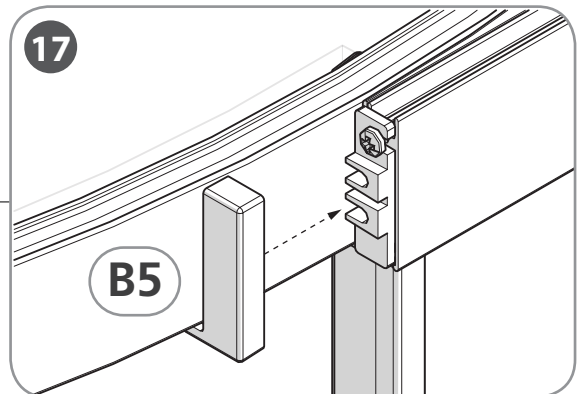
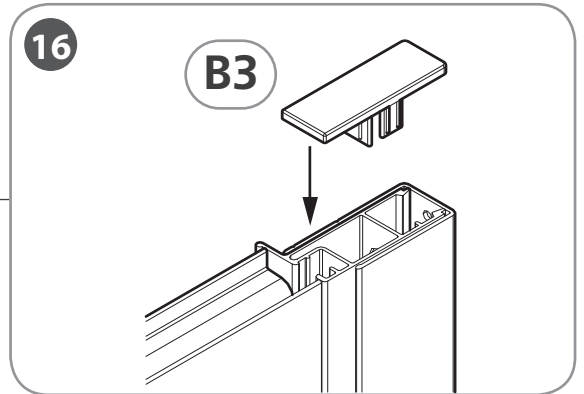
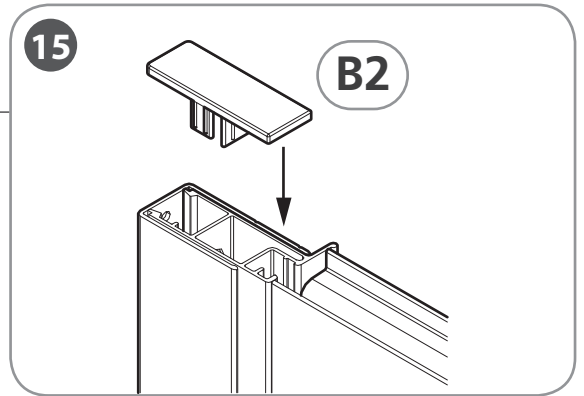
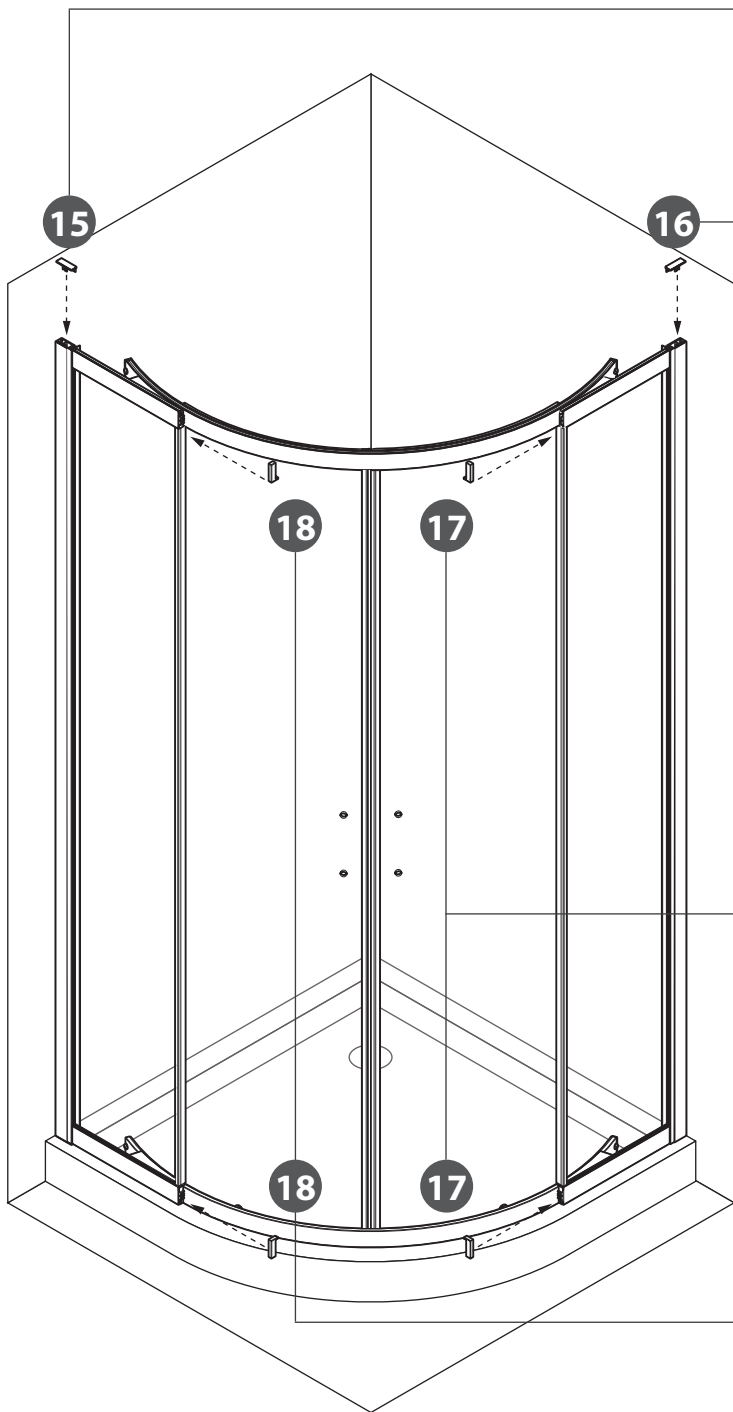


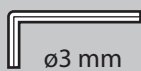
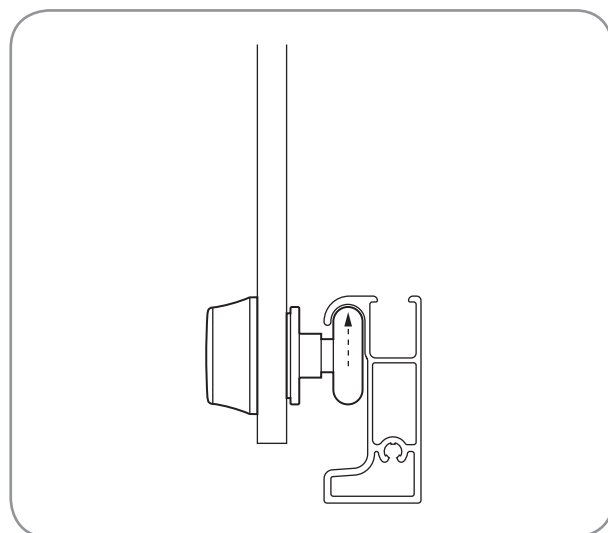
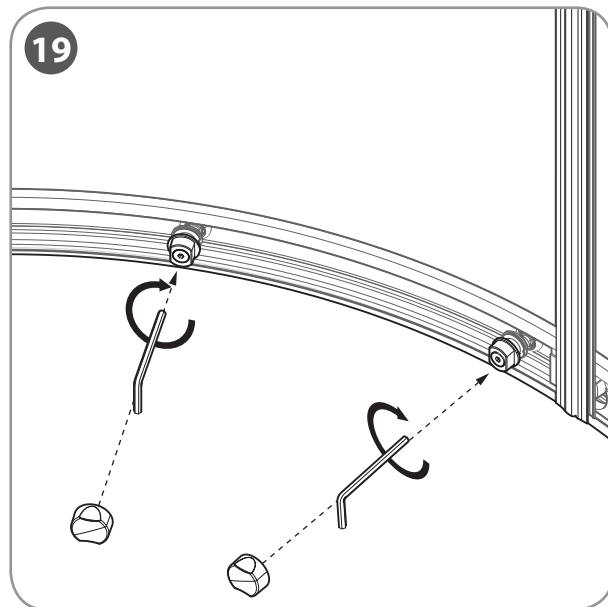
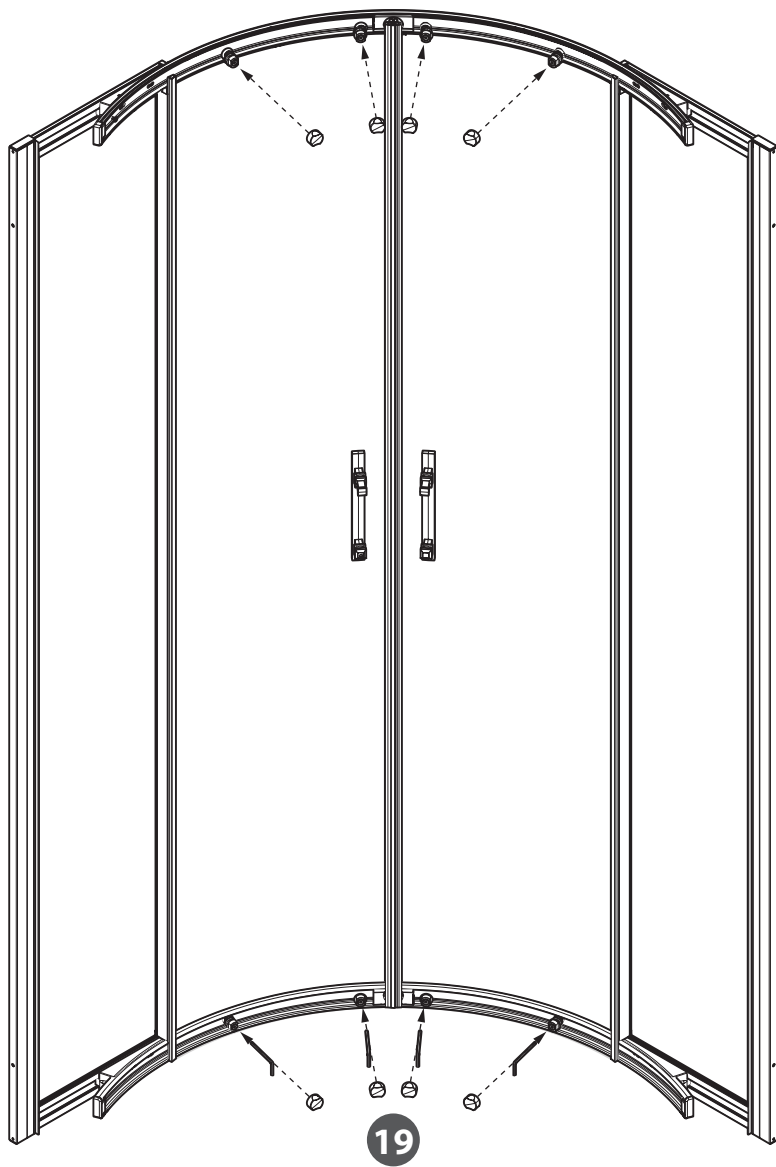
C5 x4

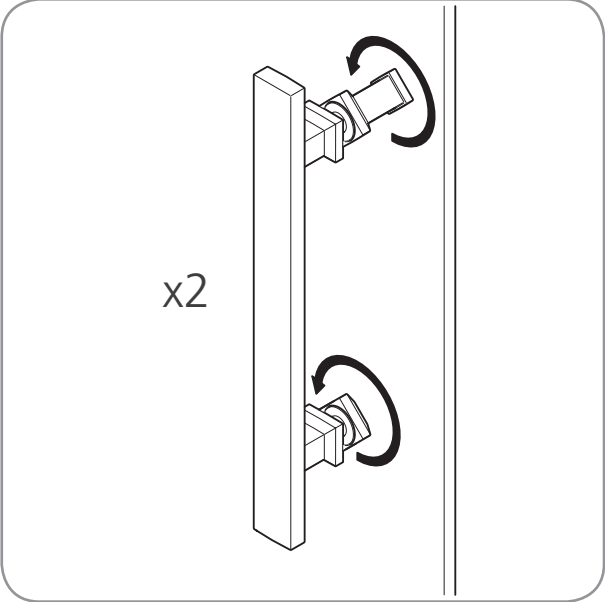
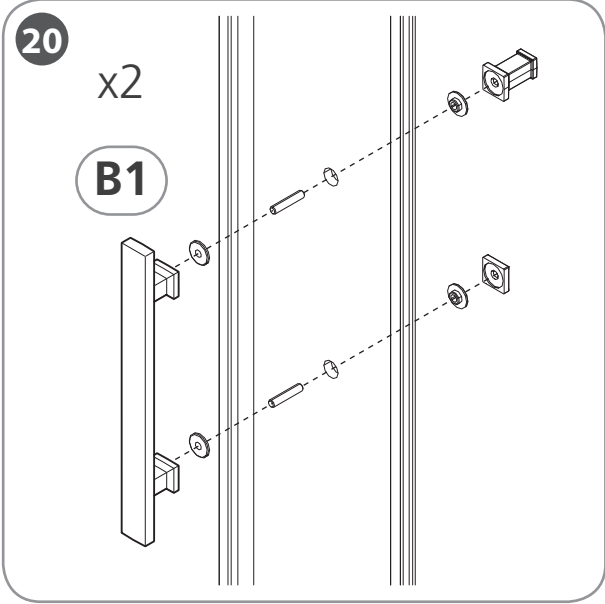
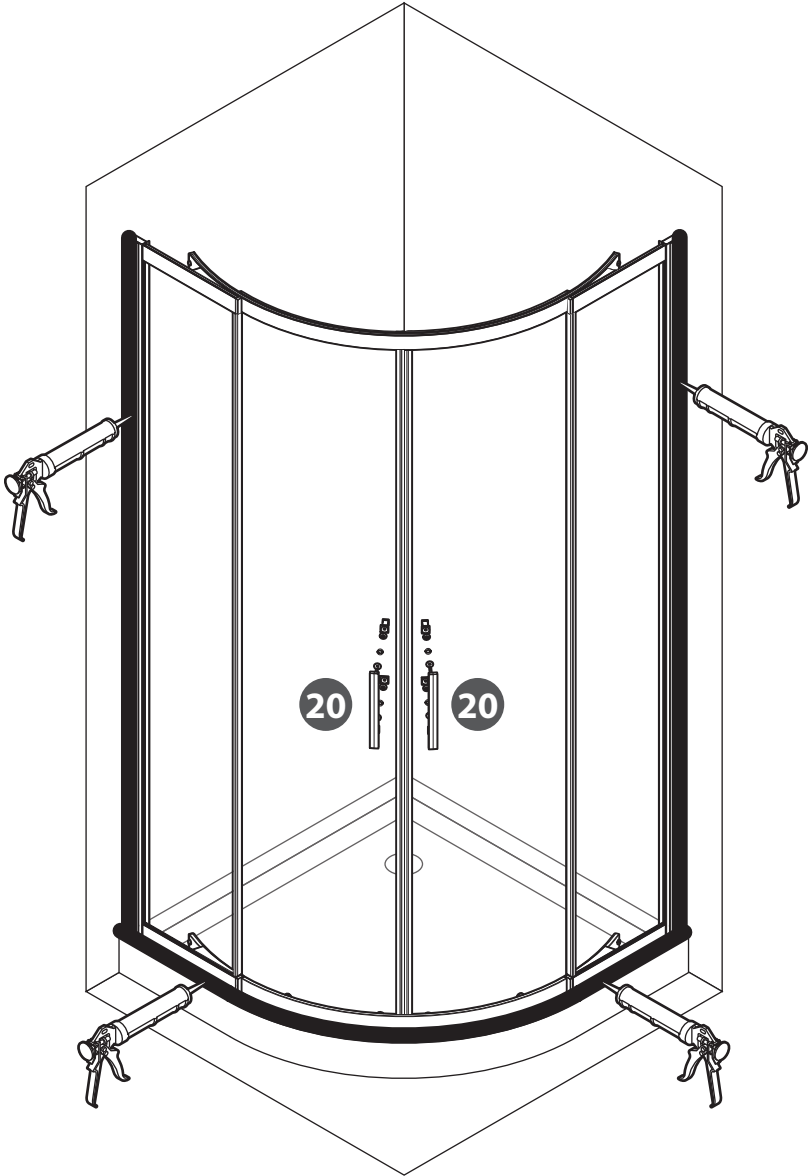

3,5x10 mm

D4 x4









24h

B1

