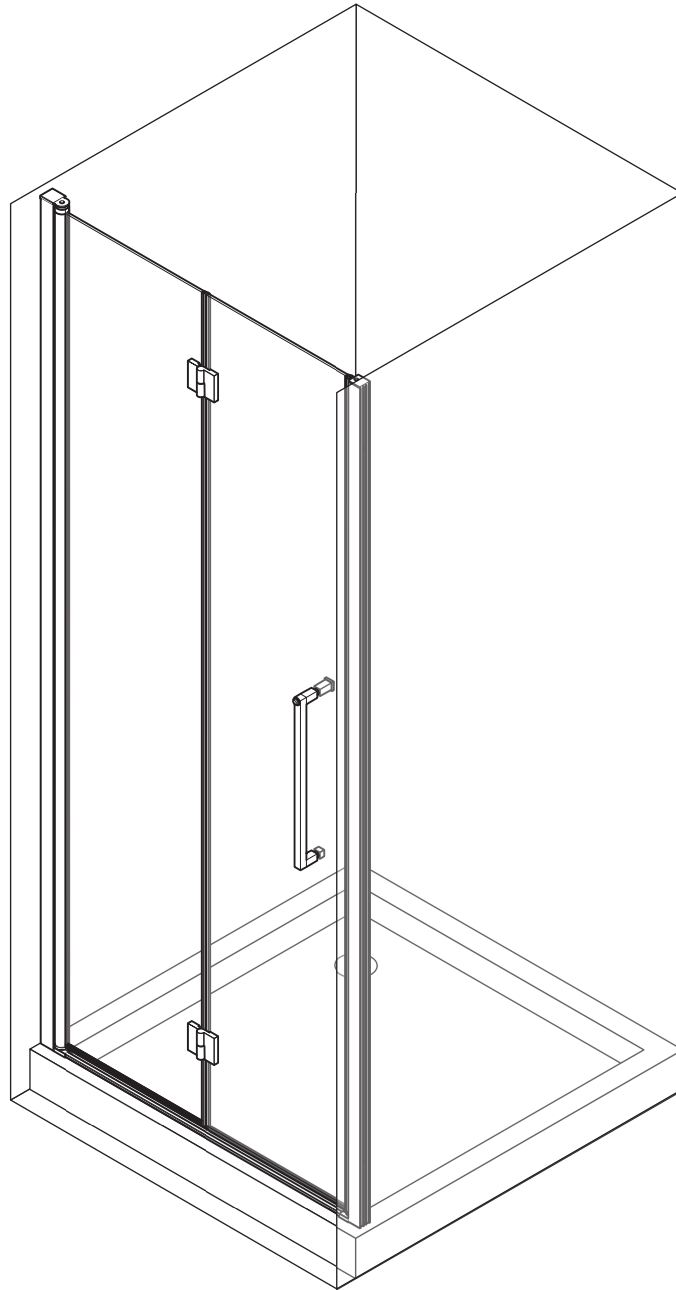
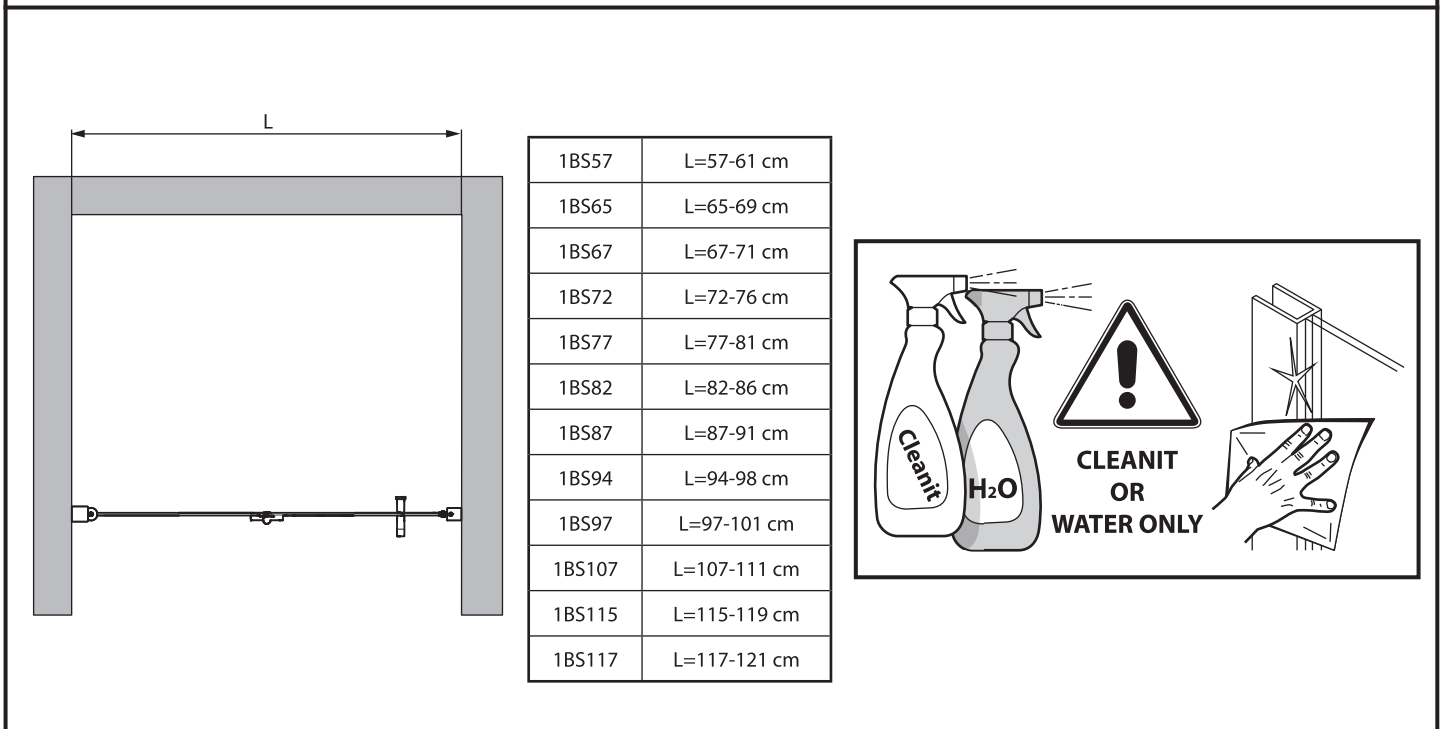
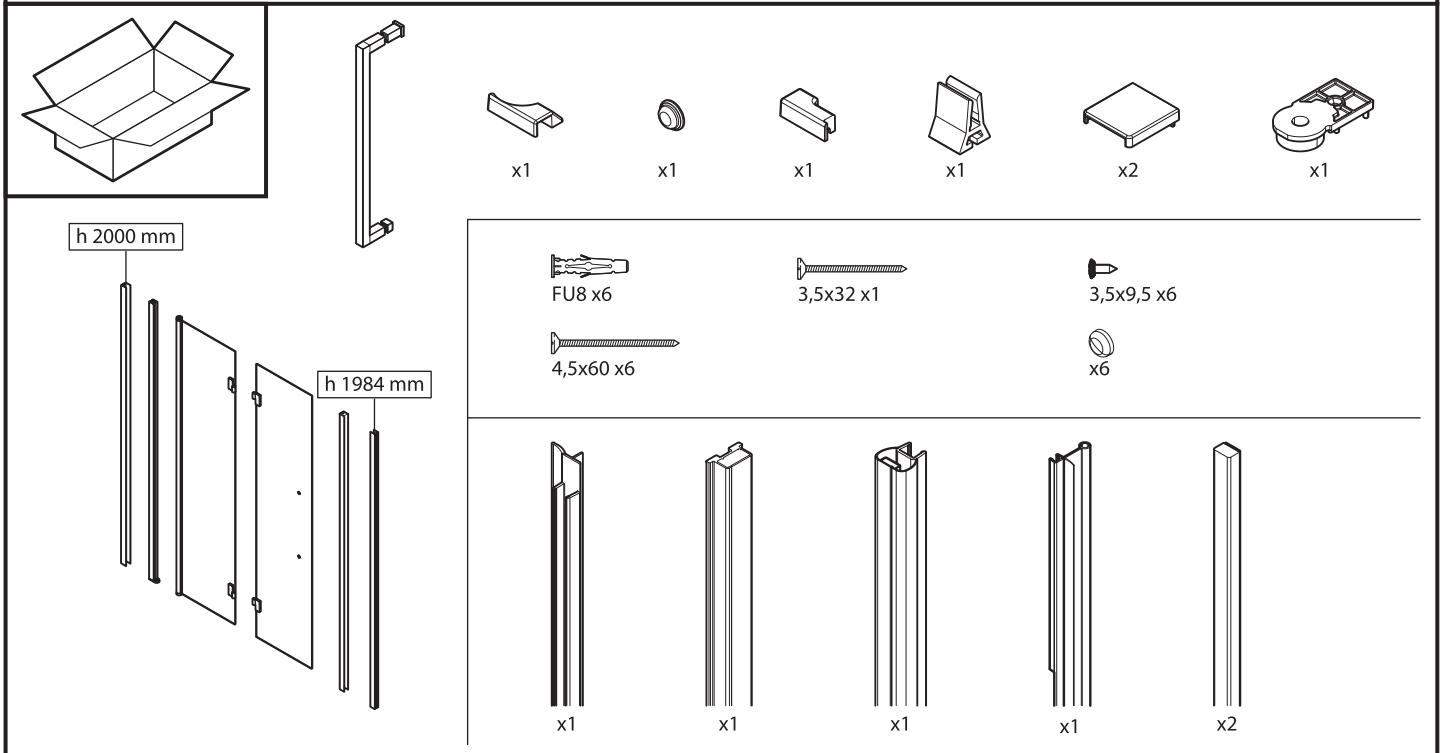
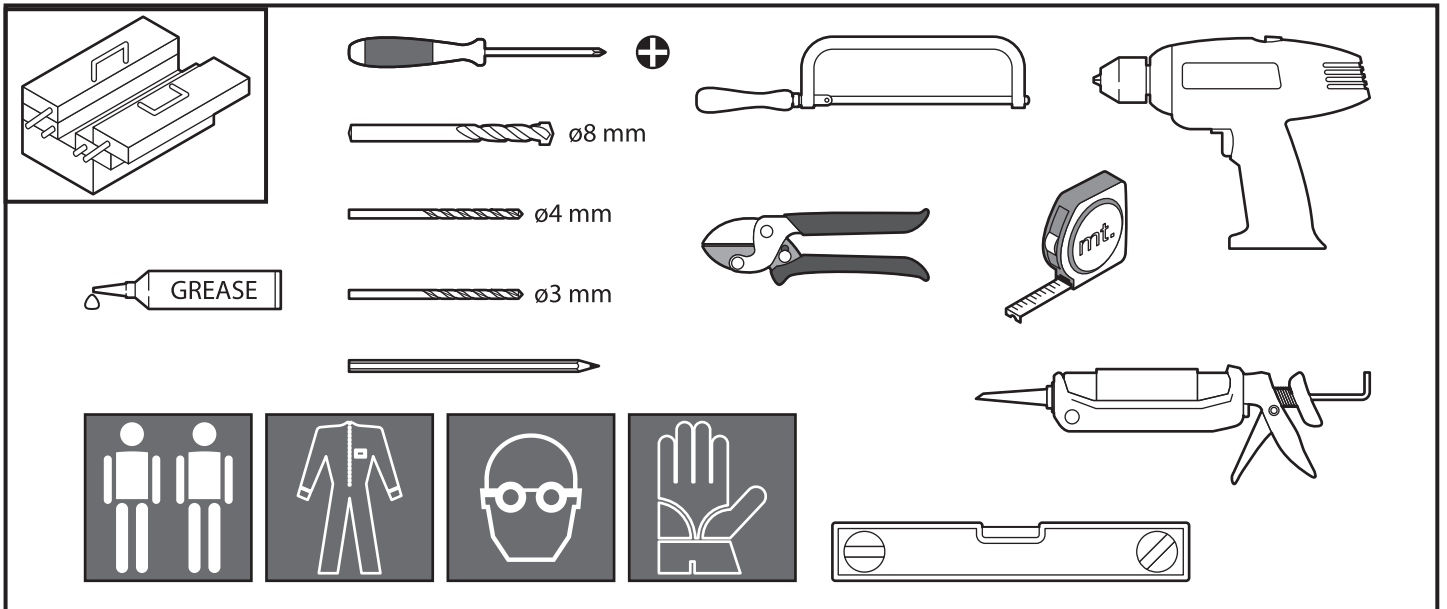
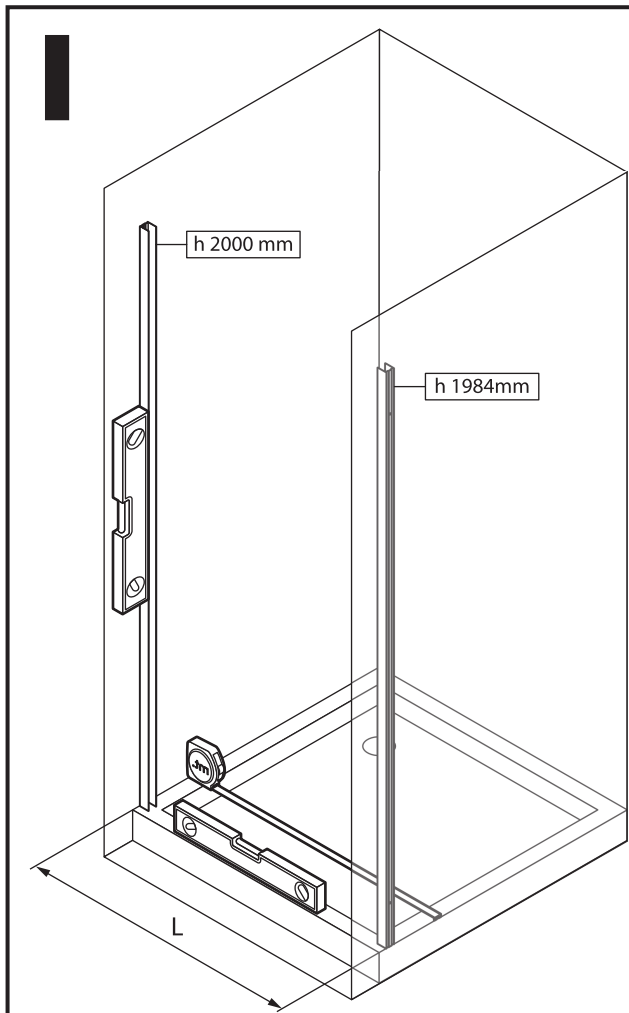


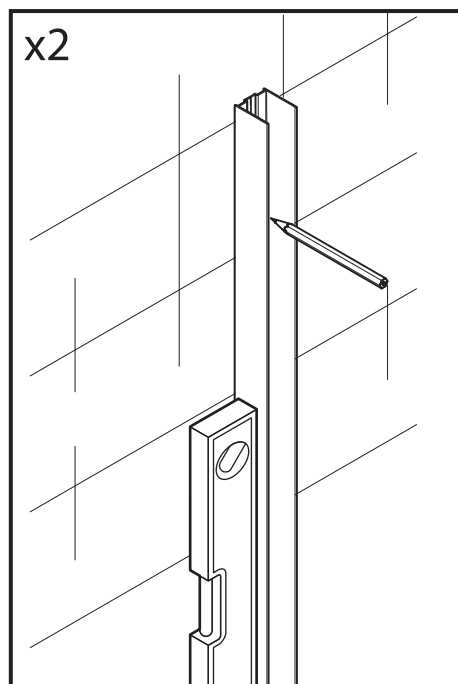
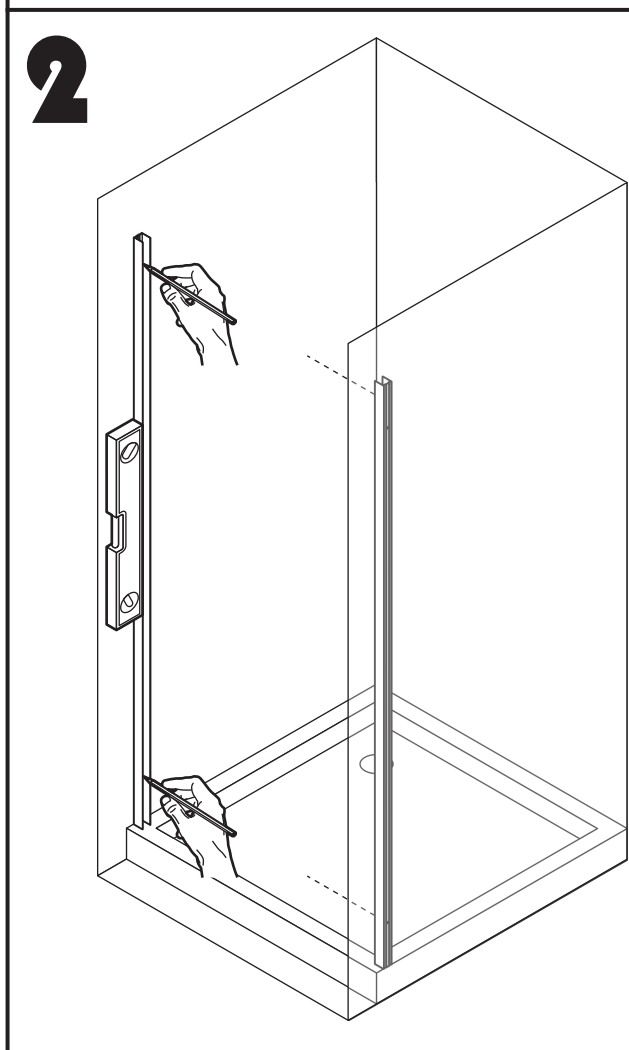
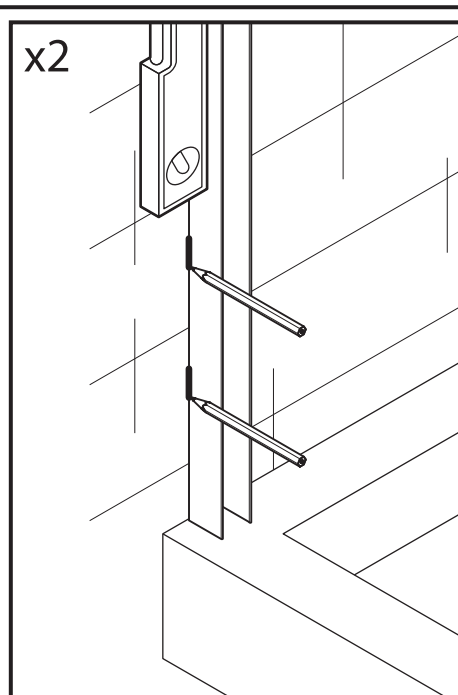
1BS







1BS57	L=57-61 cm
1BS65	L=65-69 cm
1BS67	L=67-71 cm
1BS72	L=72-76 cm
1BS77	L=77-81 cm
1BS82	L=82-86 cm
1BS87	L=87-91 cm
1BS94	L=94-98 cm
1BS97	L=97-101 cm
1BS107	L=107-111 cm
1BS115	L=115-119 cm
1BS117	L=117-121 cm

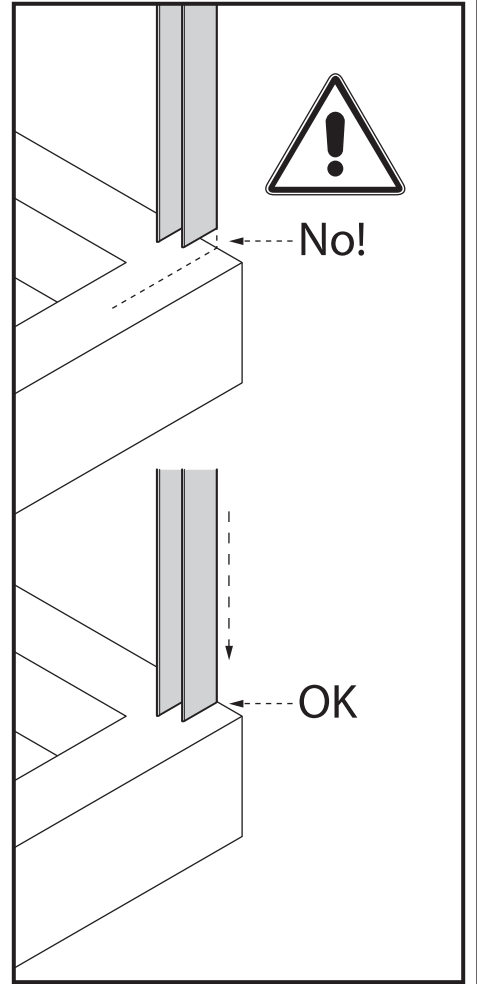
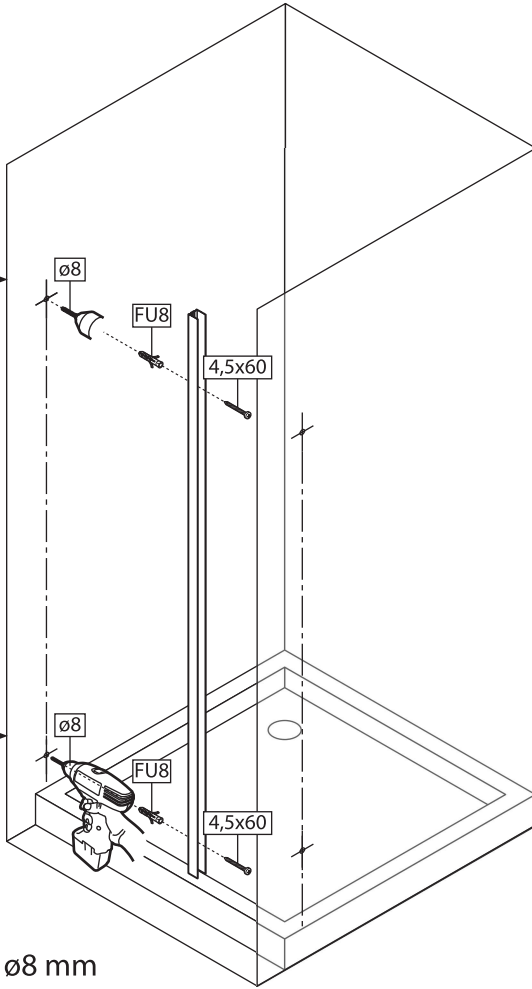


3

2°

1°

Ø8 mm

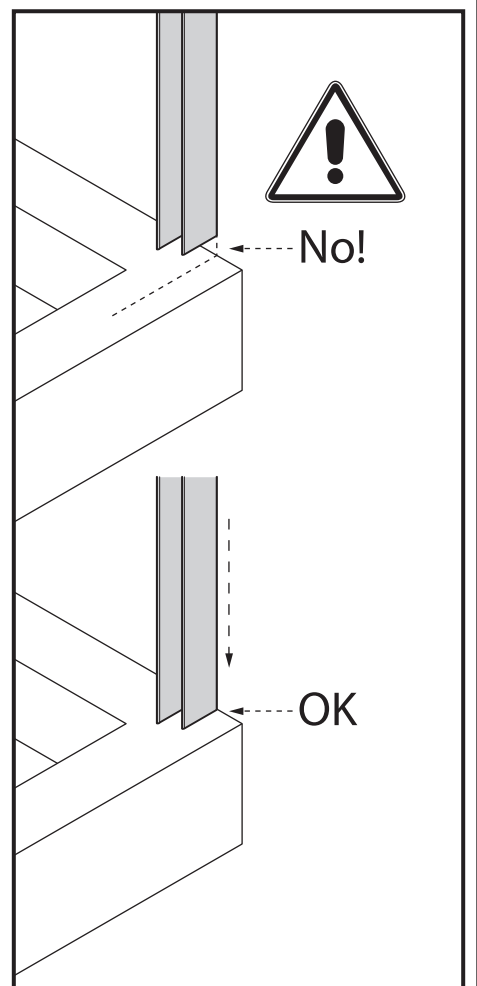
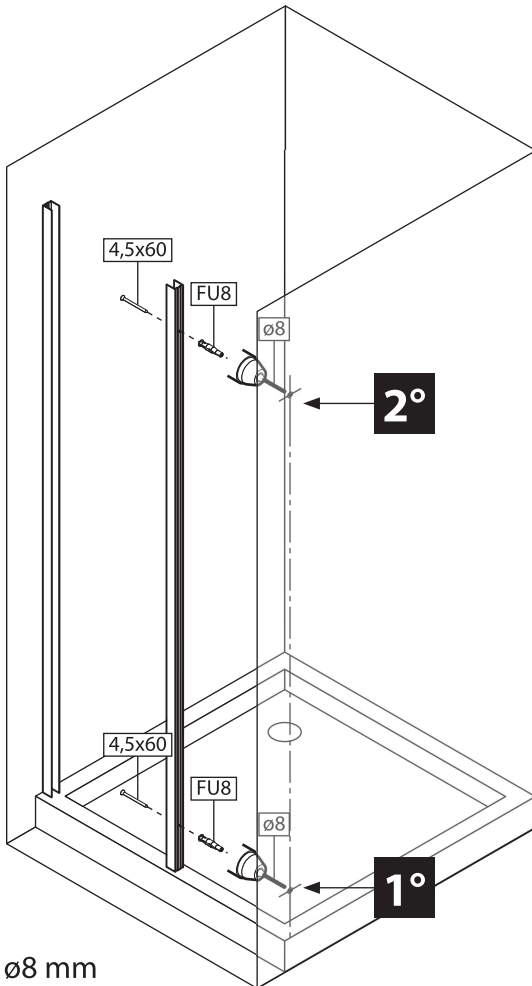


4

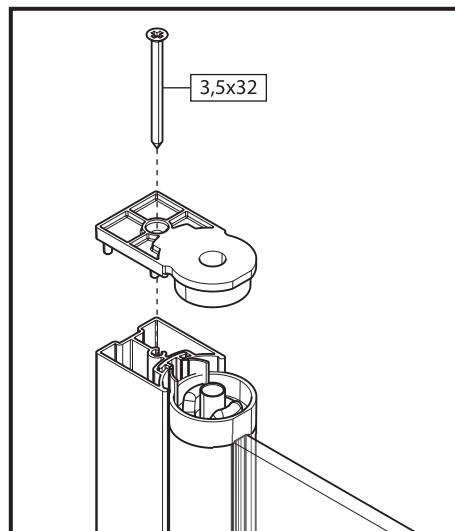
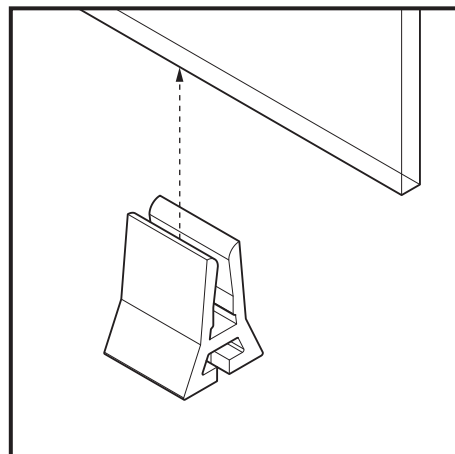
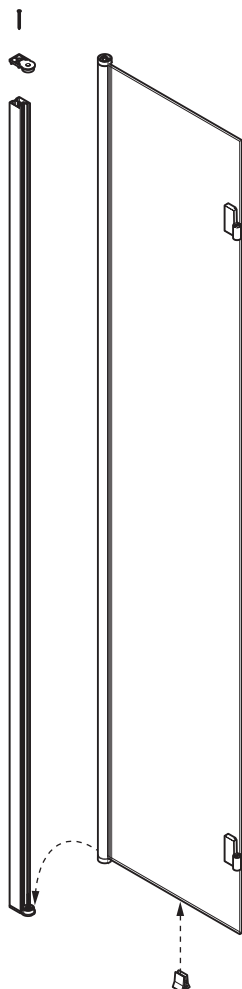
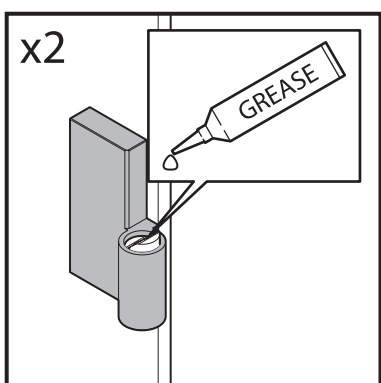
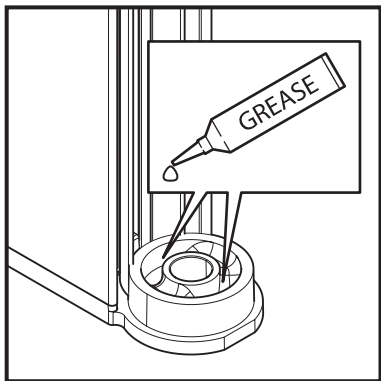
2°

1°

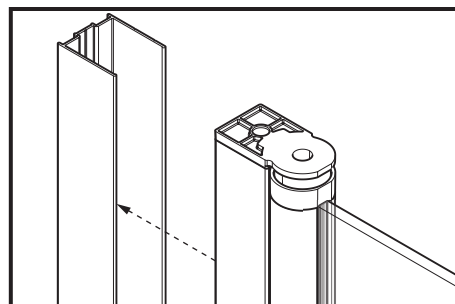
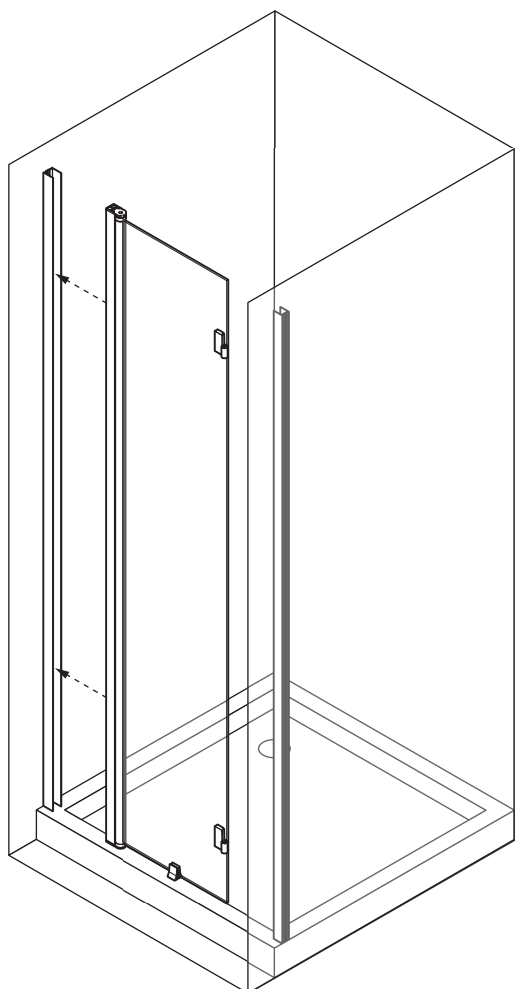
Ø8 mm



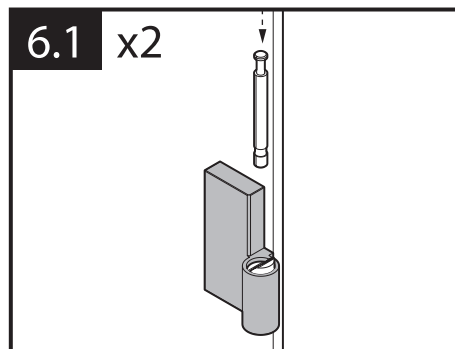
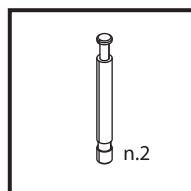
5



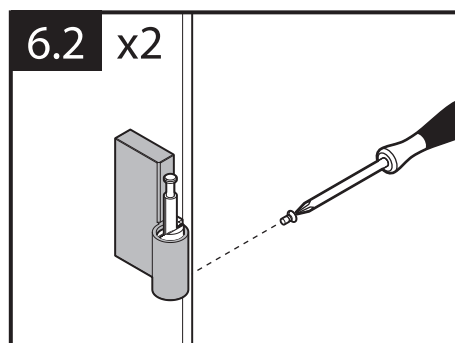
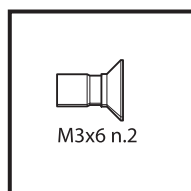
6



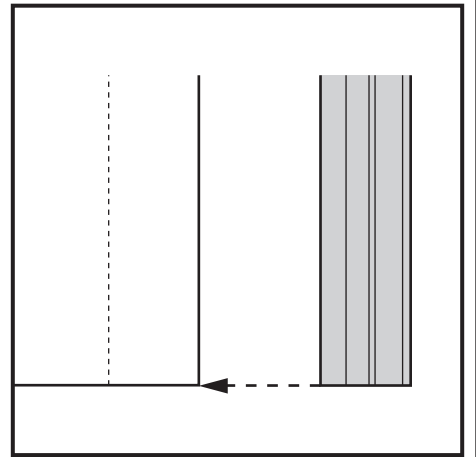
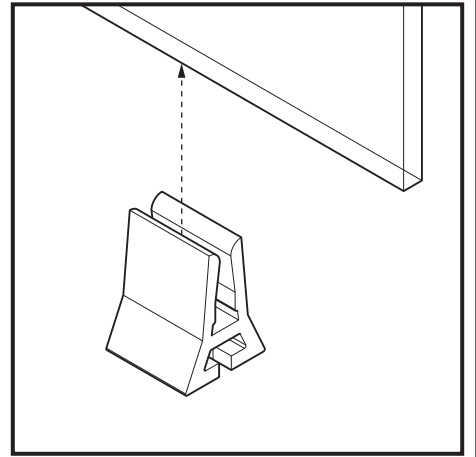
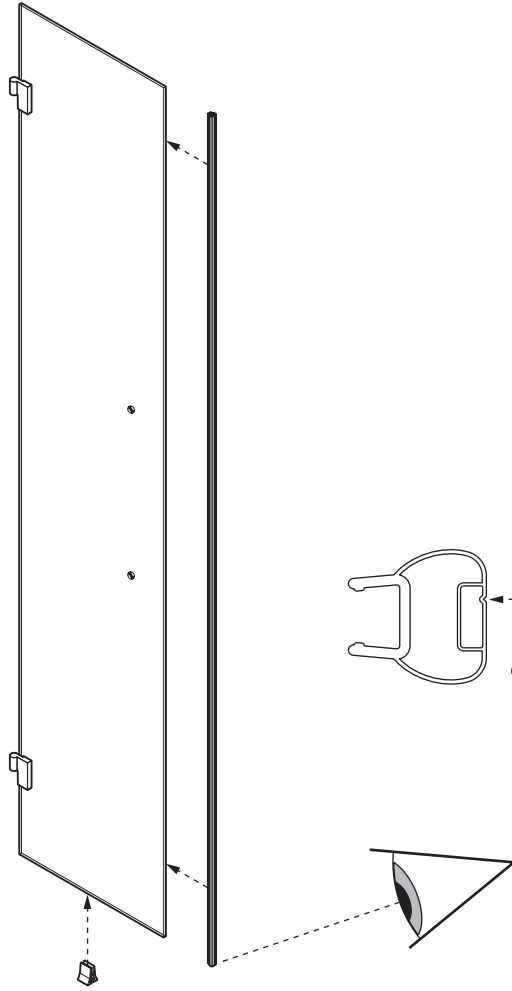
6.1 x2



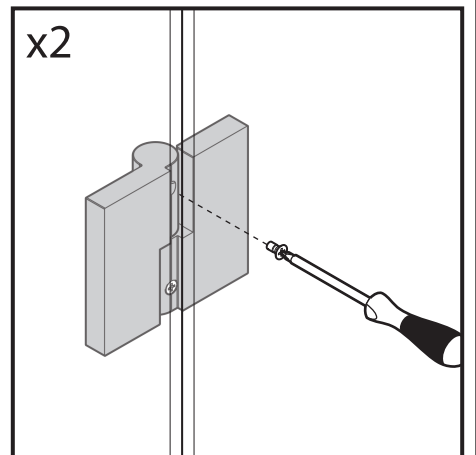
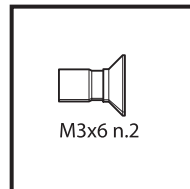
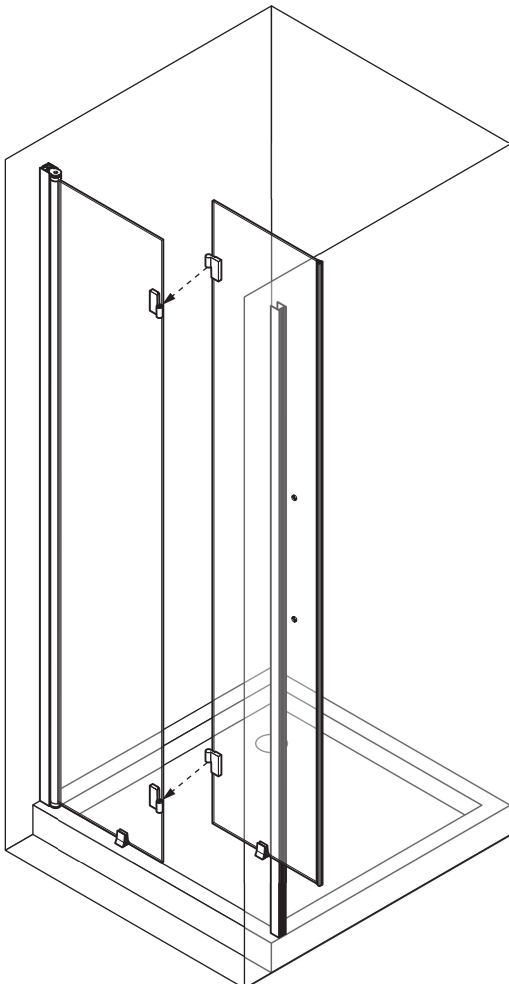
6.2 x2



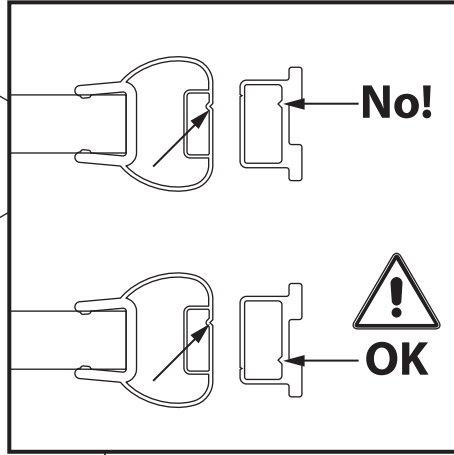
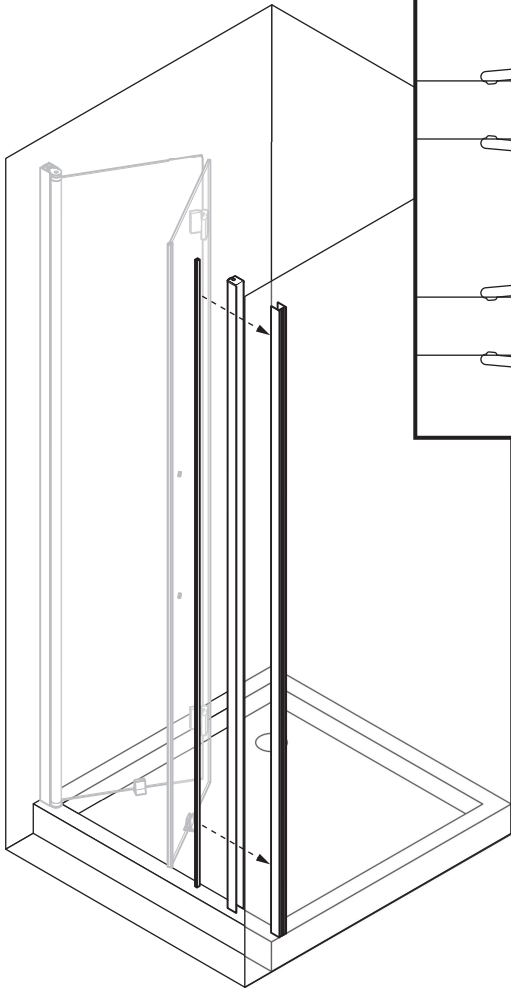
7



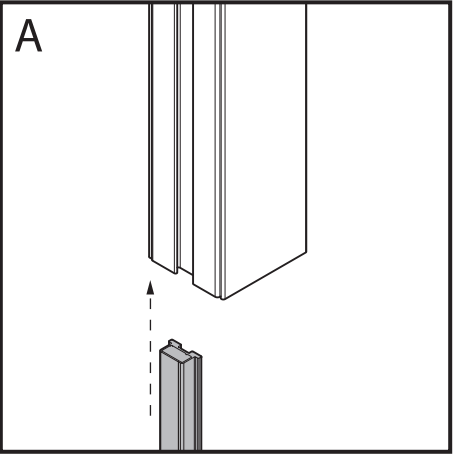
8



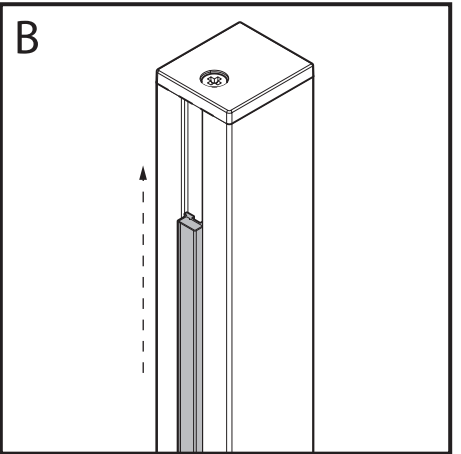
9



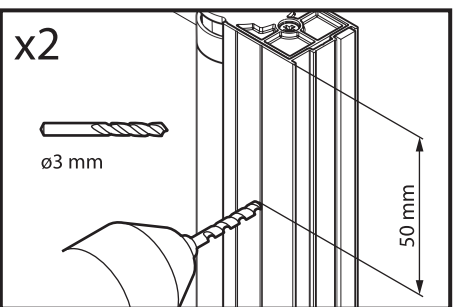
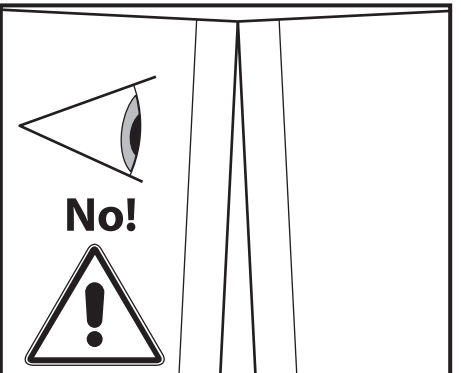
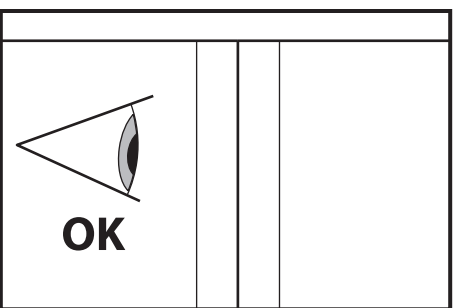
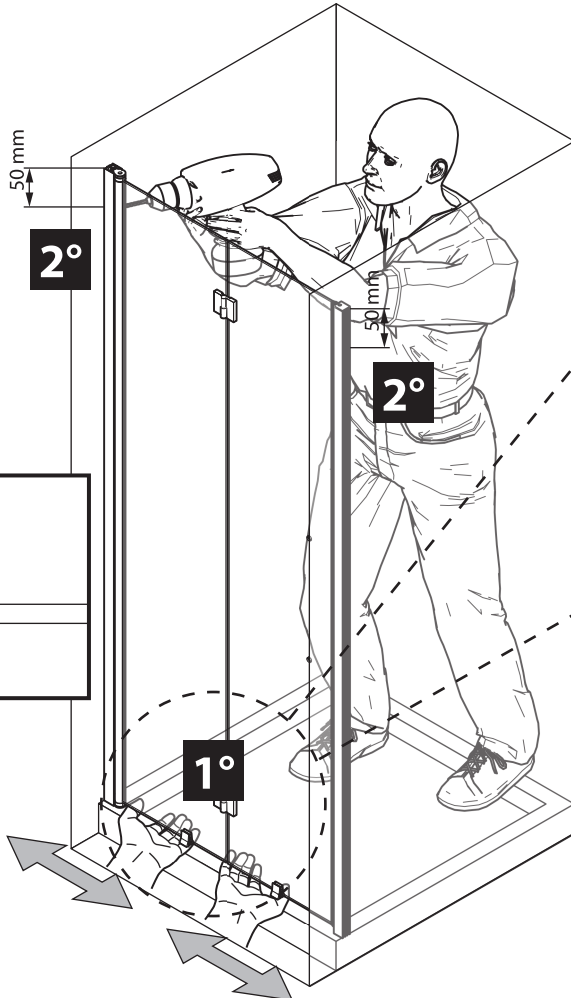
A



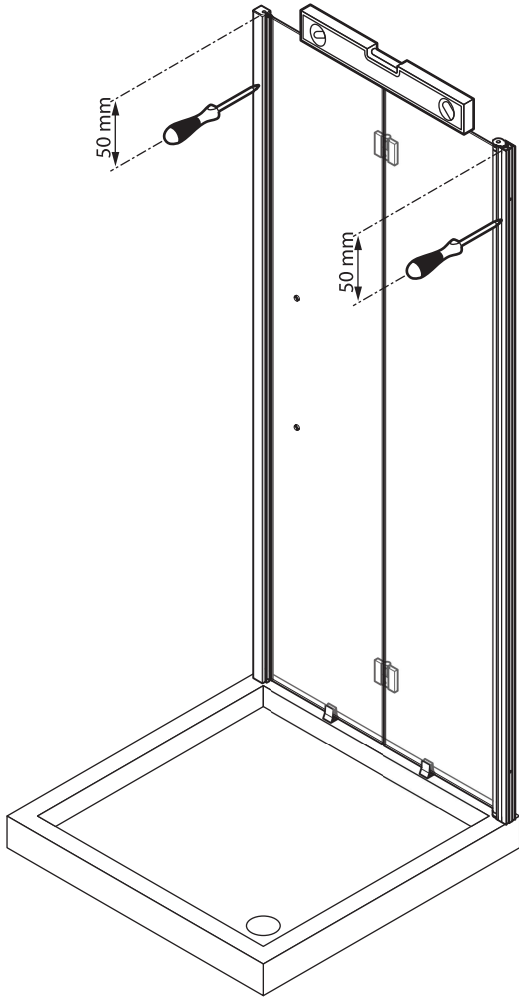
B



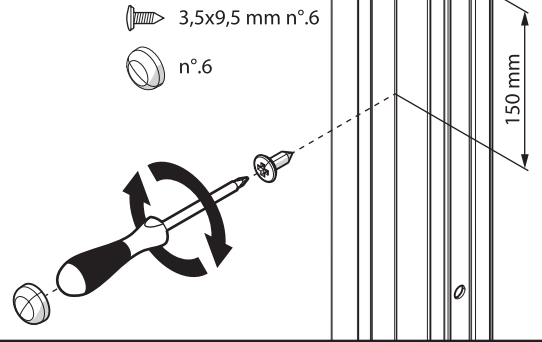
10



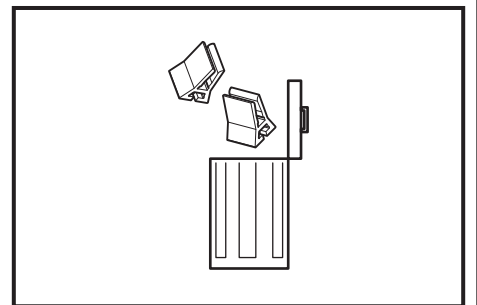
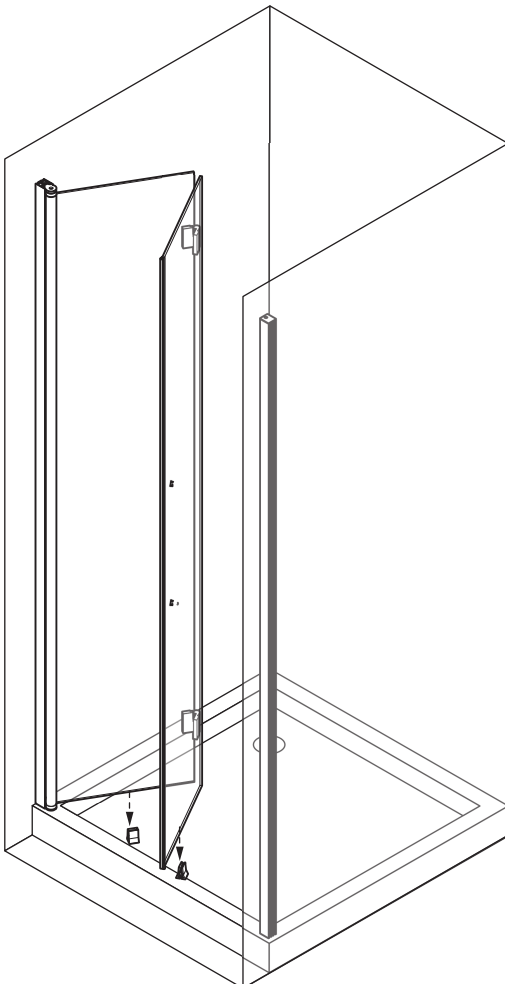
11



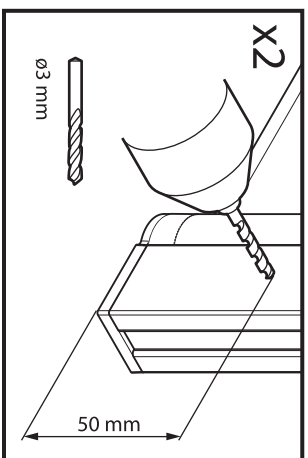
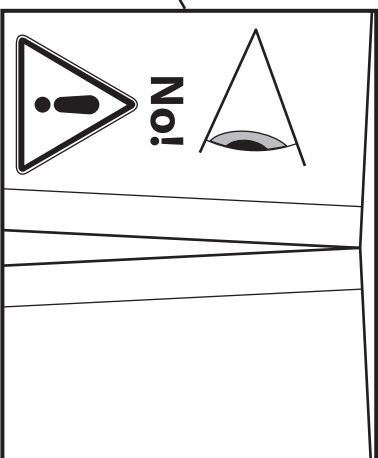
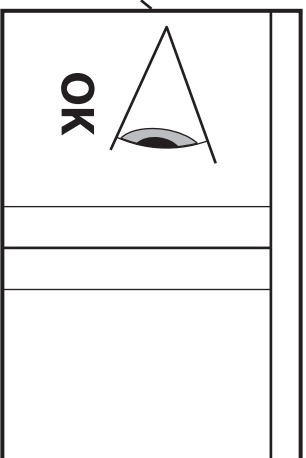
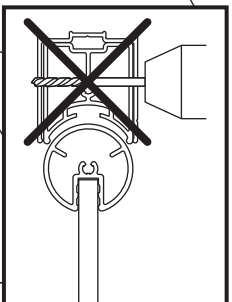
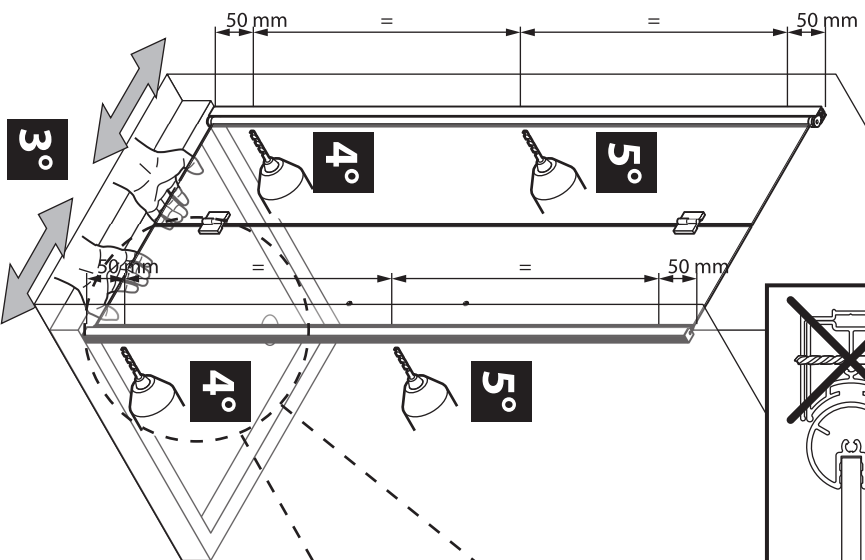
x2



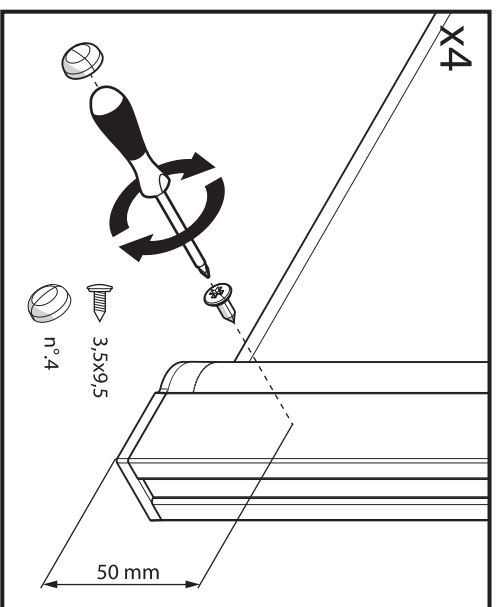
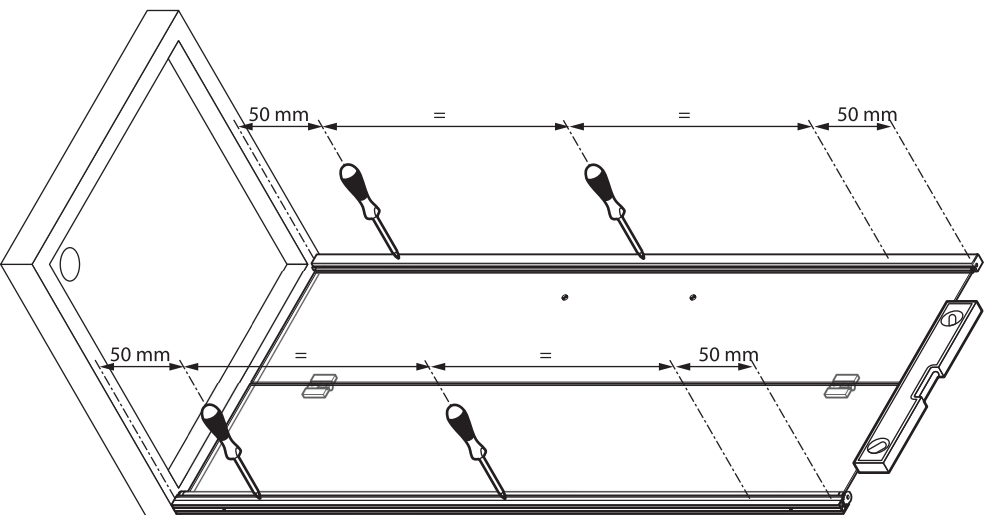
12



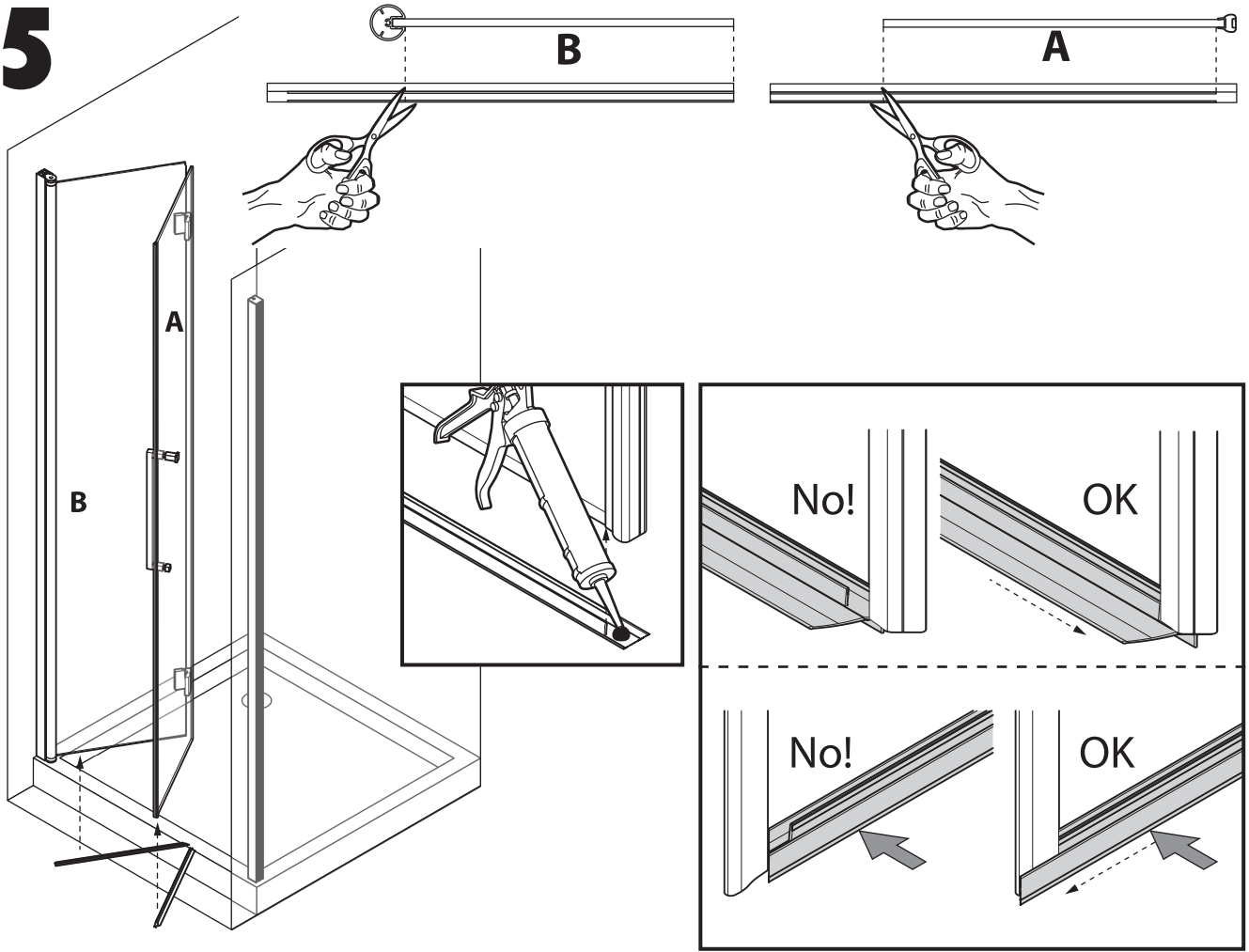
13



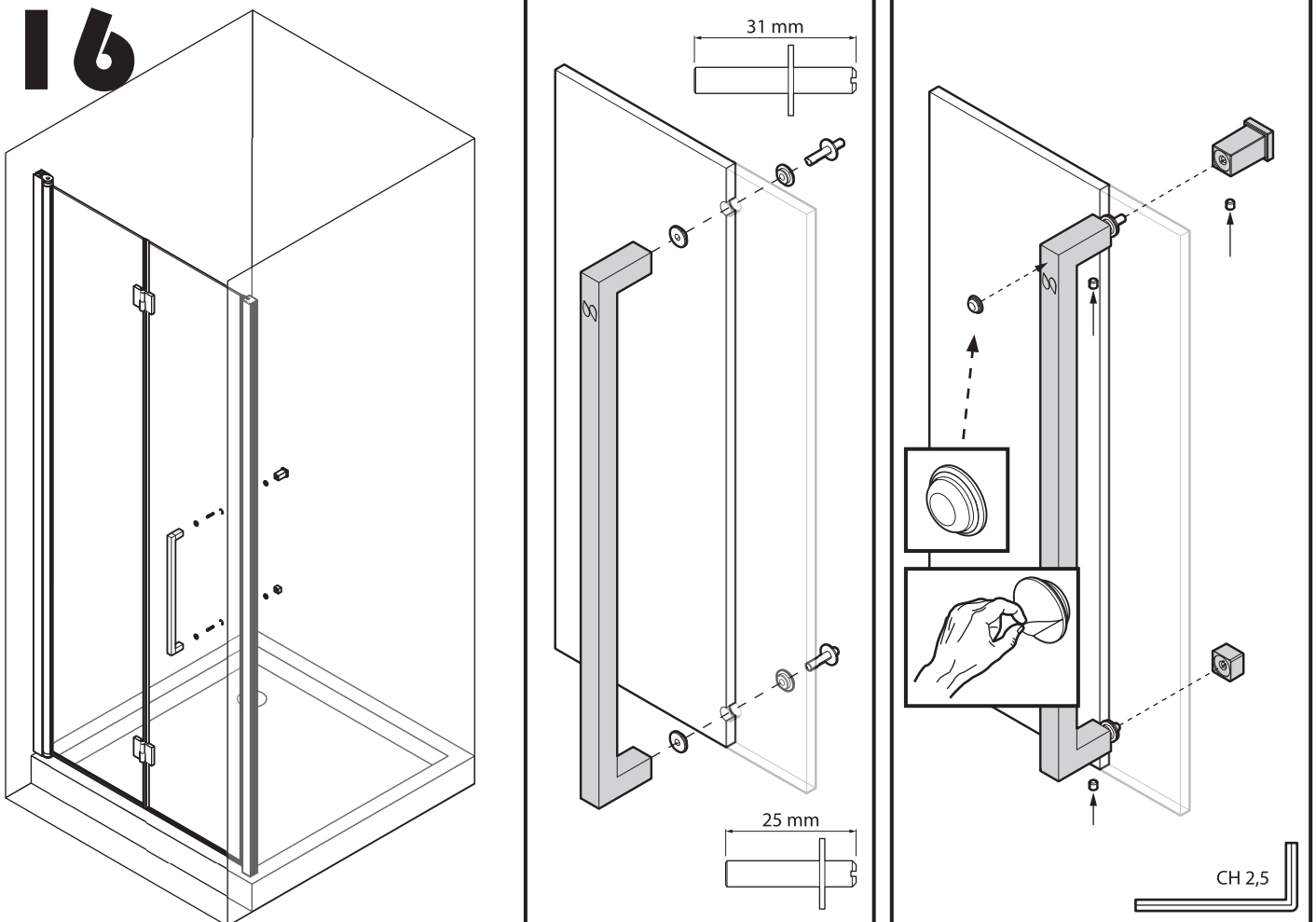
14



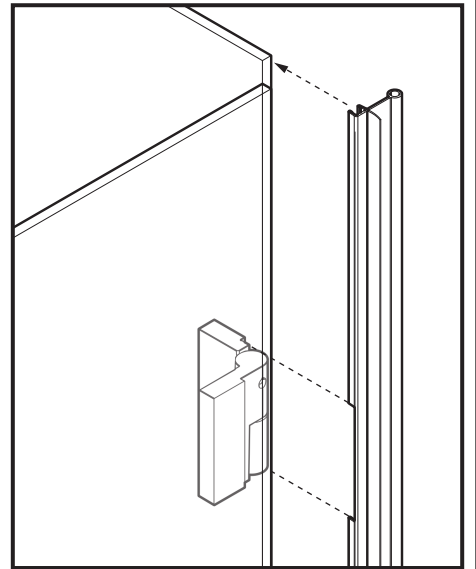
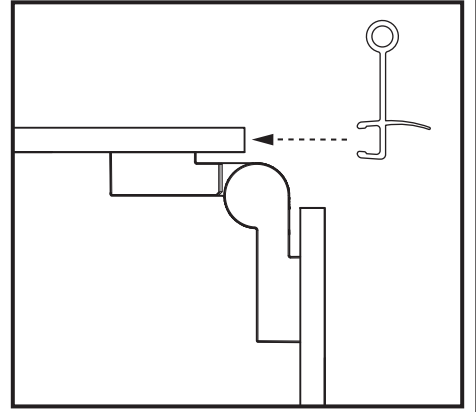
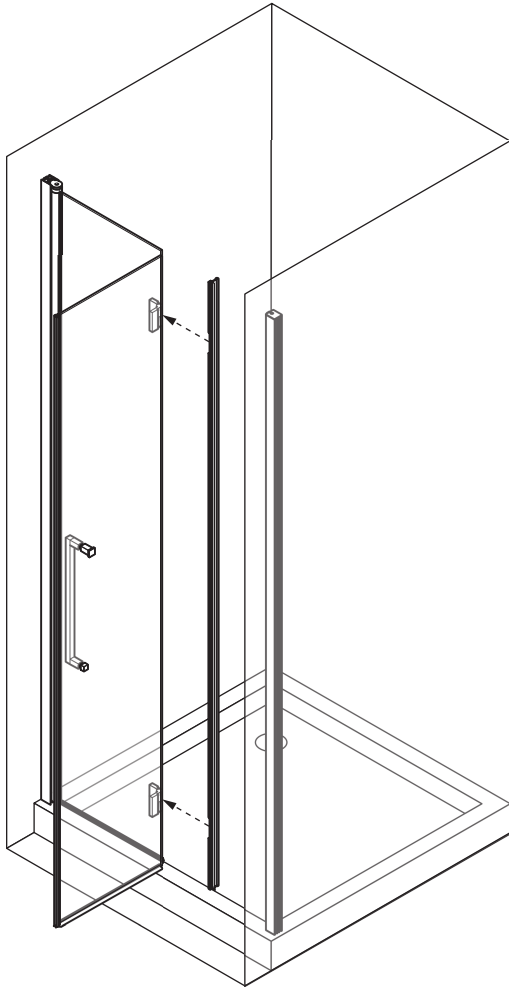
15



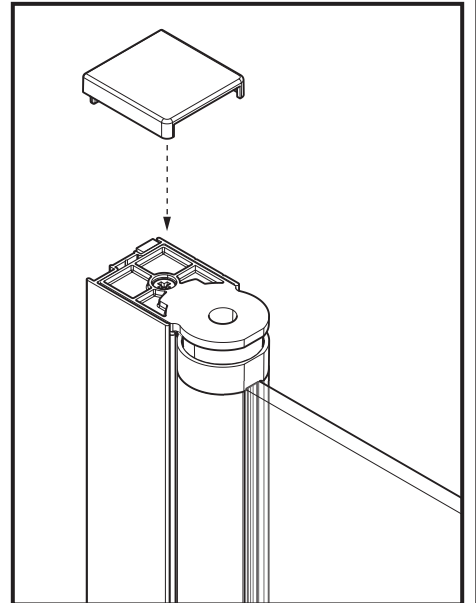
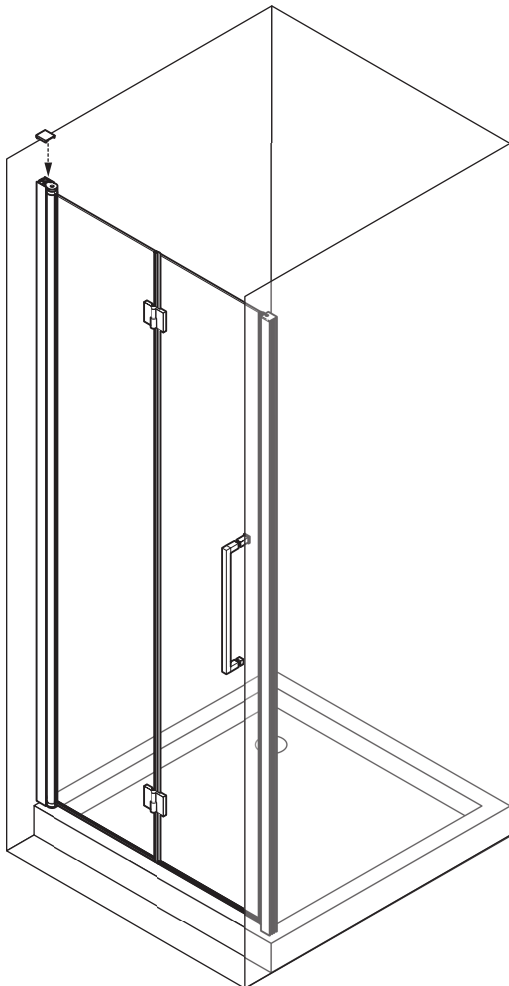
16



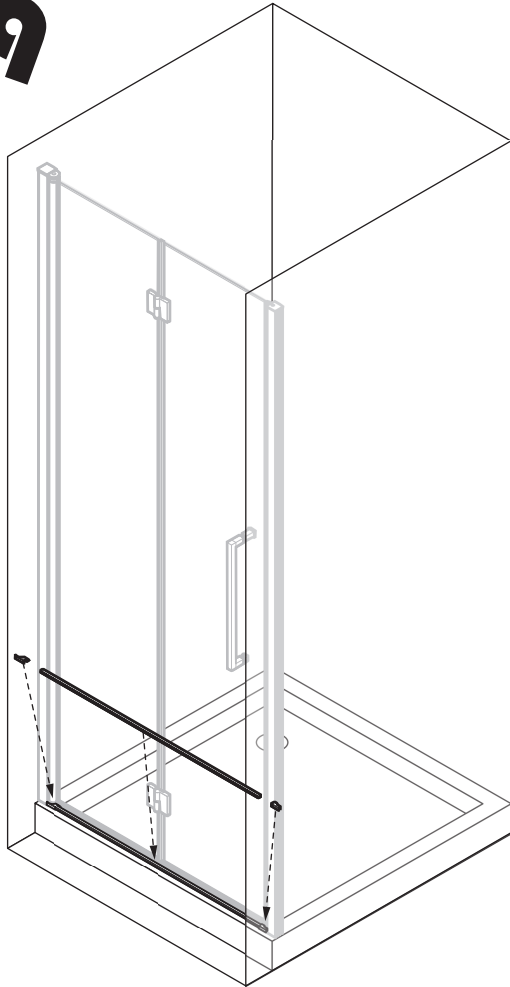
17



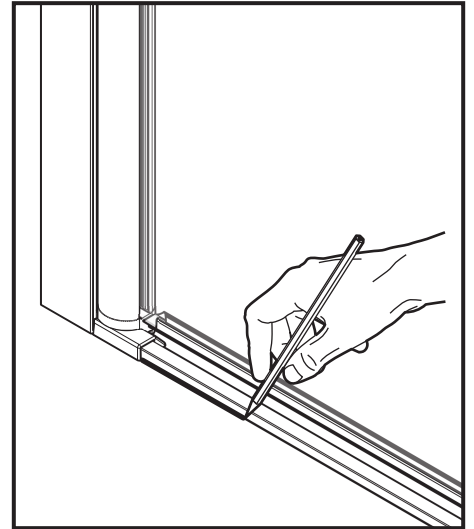
18



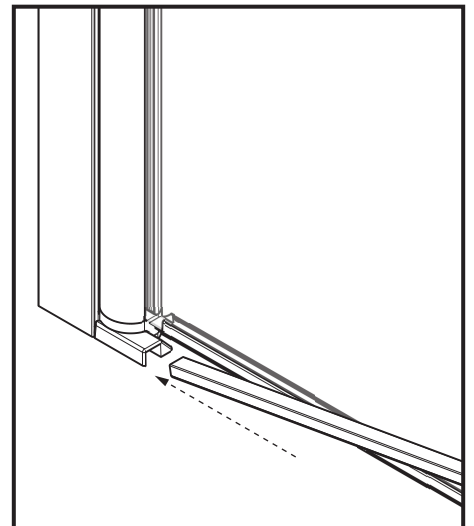
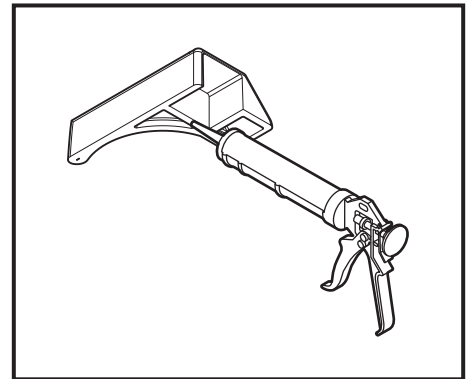
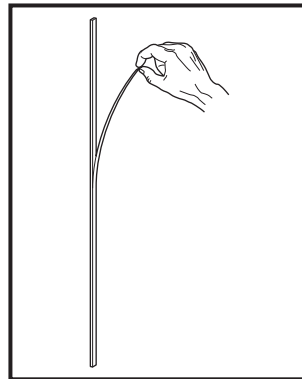
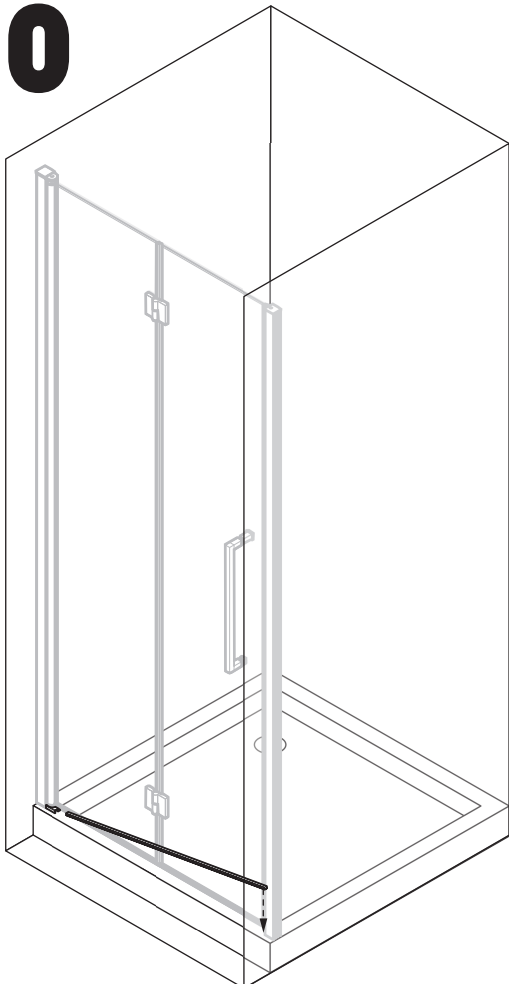
19



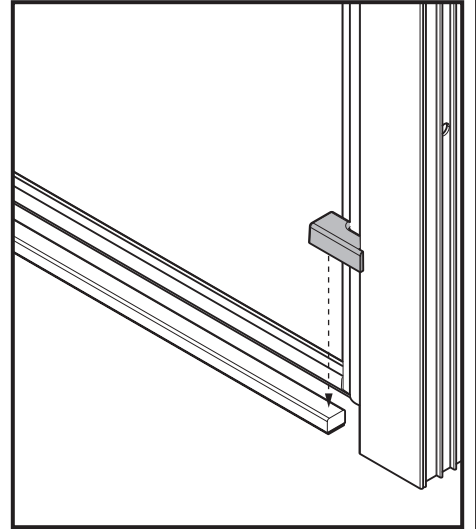
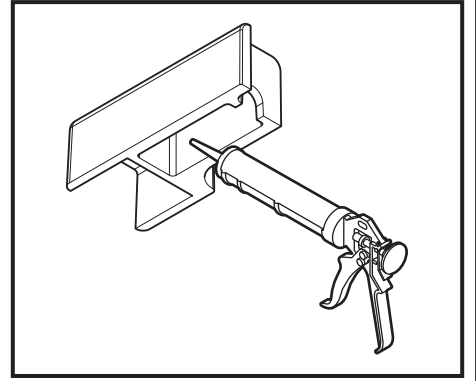
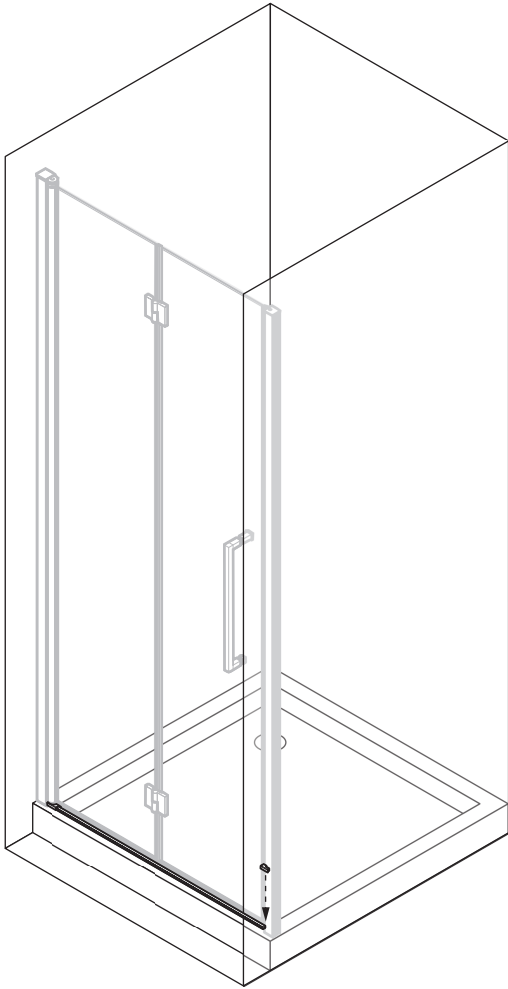
mod. 1BS	mm
1BS57	458
1BS65	538
1BS67	558
1BS72	608
1BS77	658
1BS82	708
1BS87	758
1BS94	828
1BS97	858
1BS107	958
1BS115	1038
1BS117	1058



20



21



22

