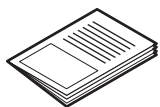
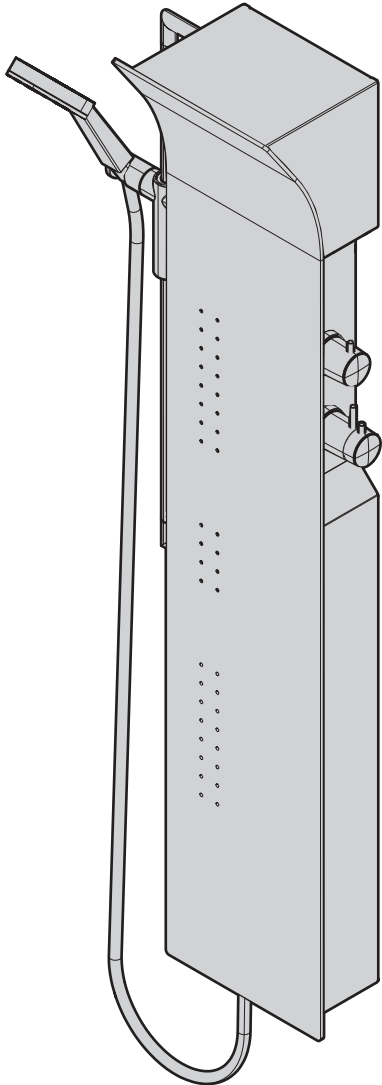
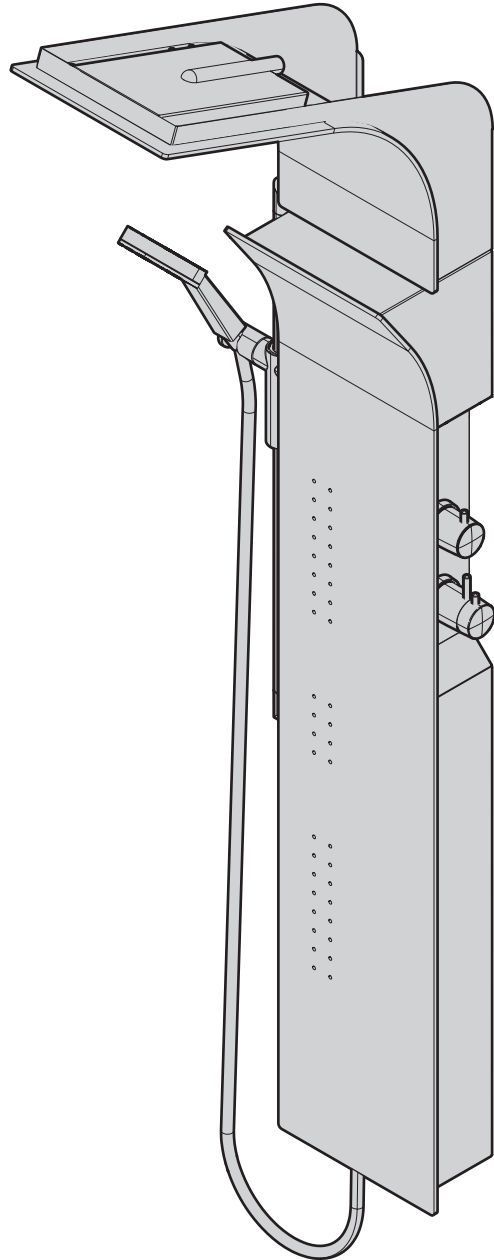


VANITY

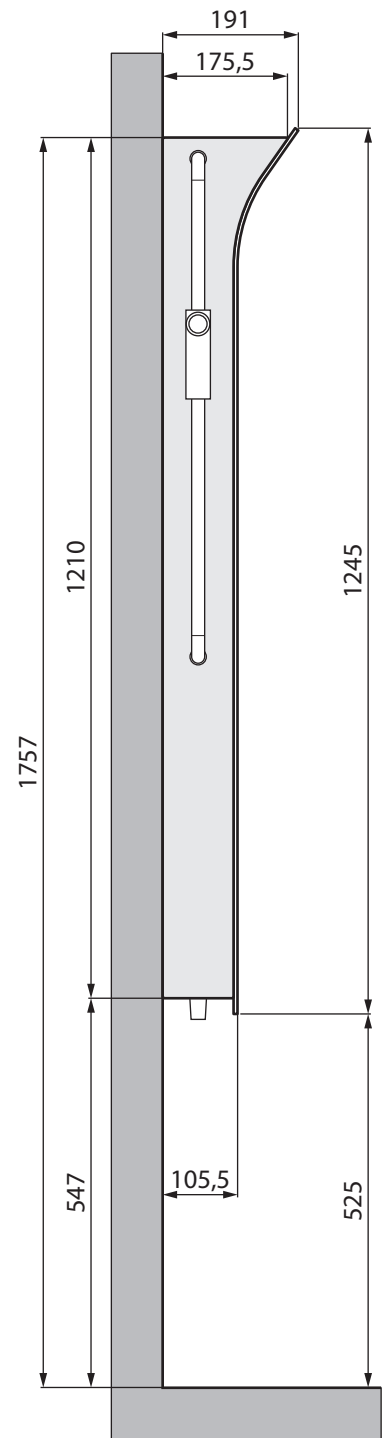
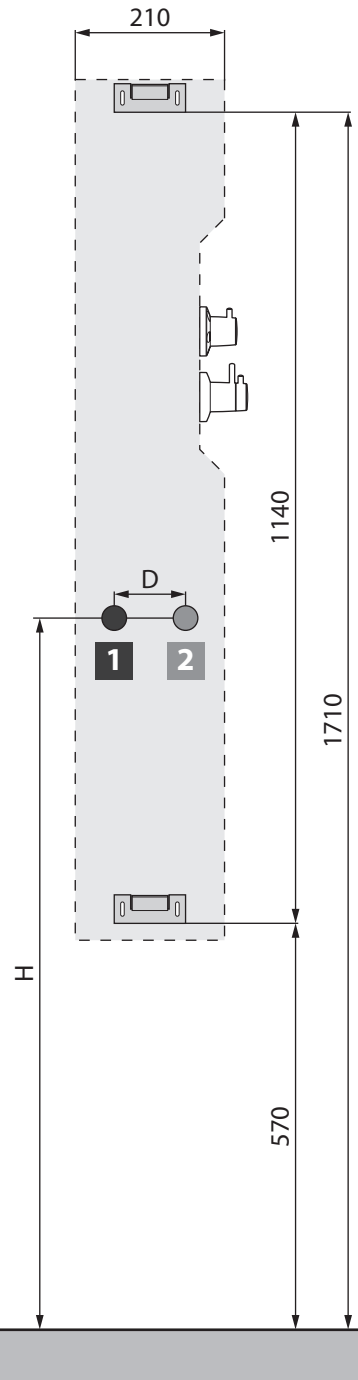
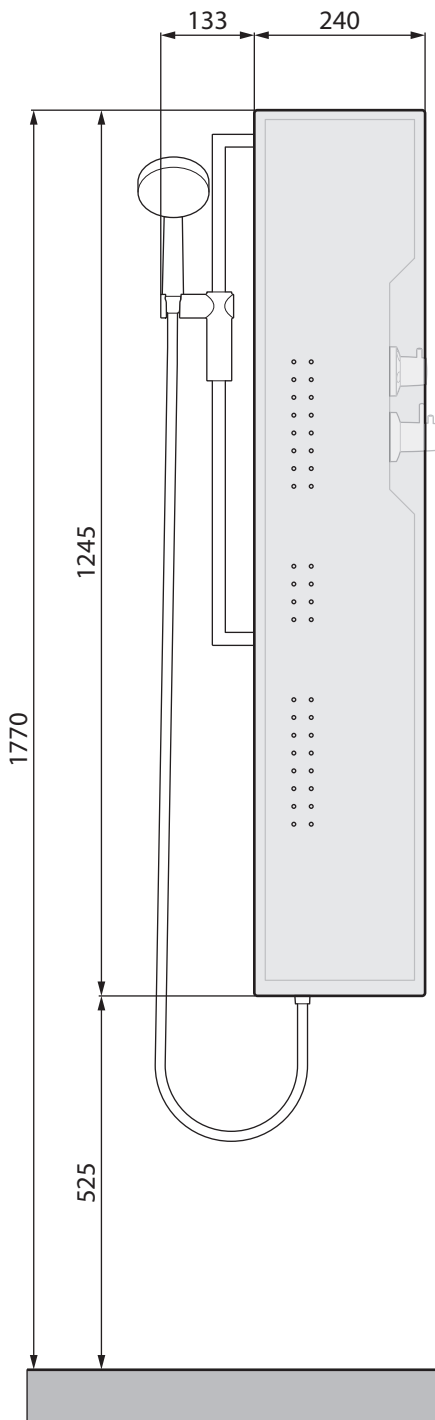


Pag. 2



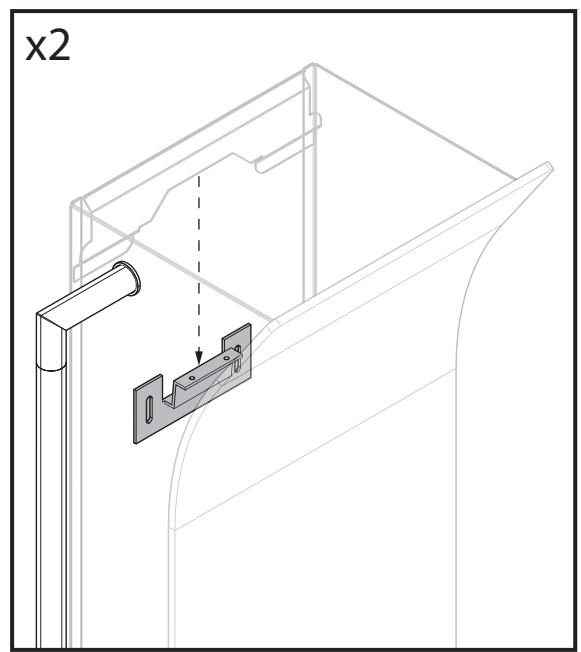
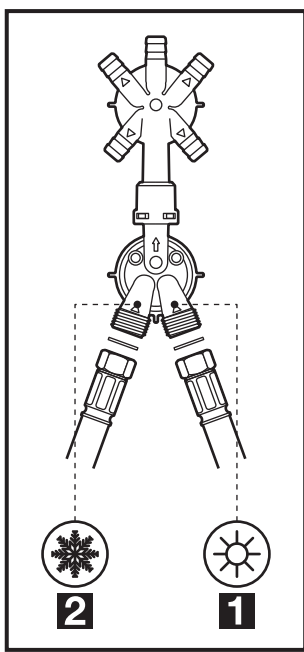
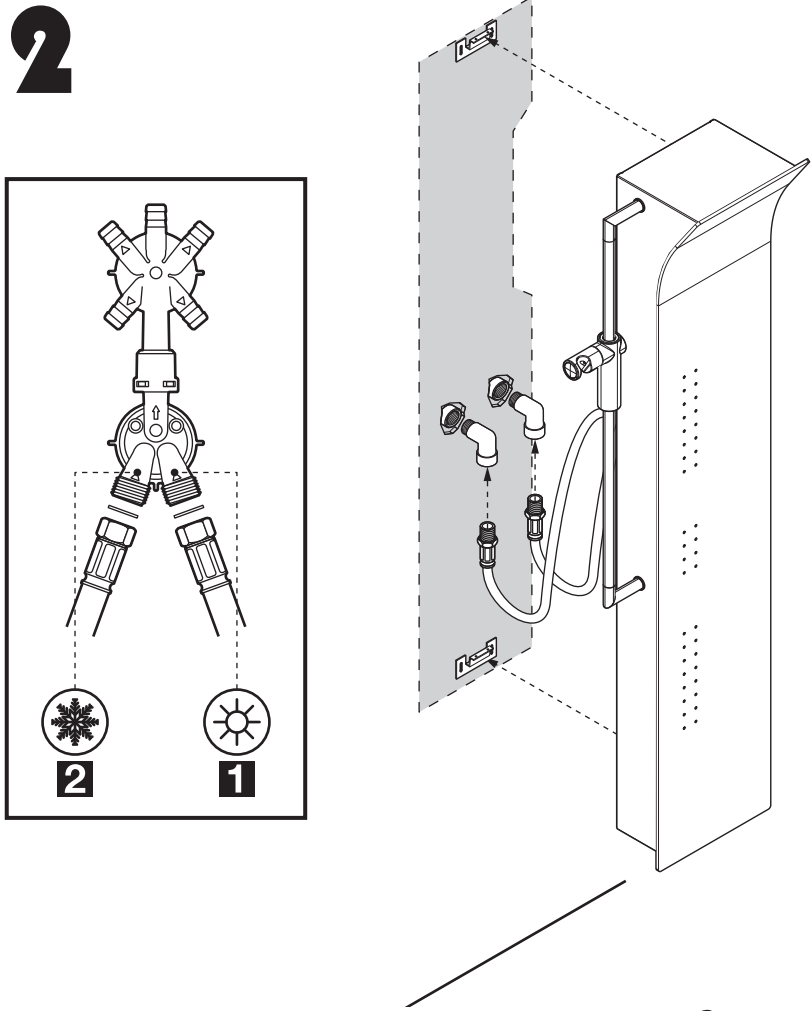
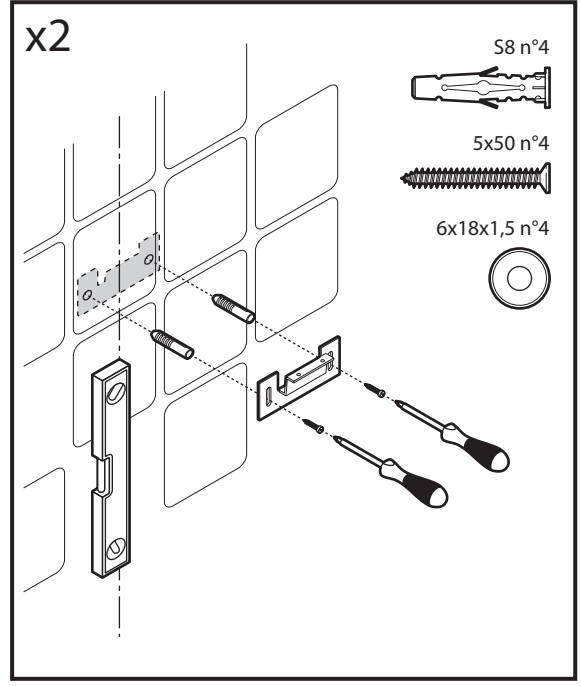
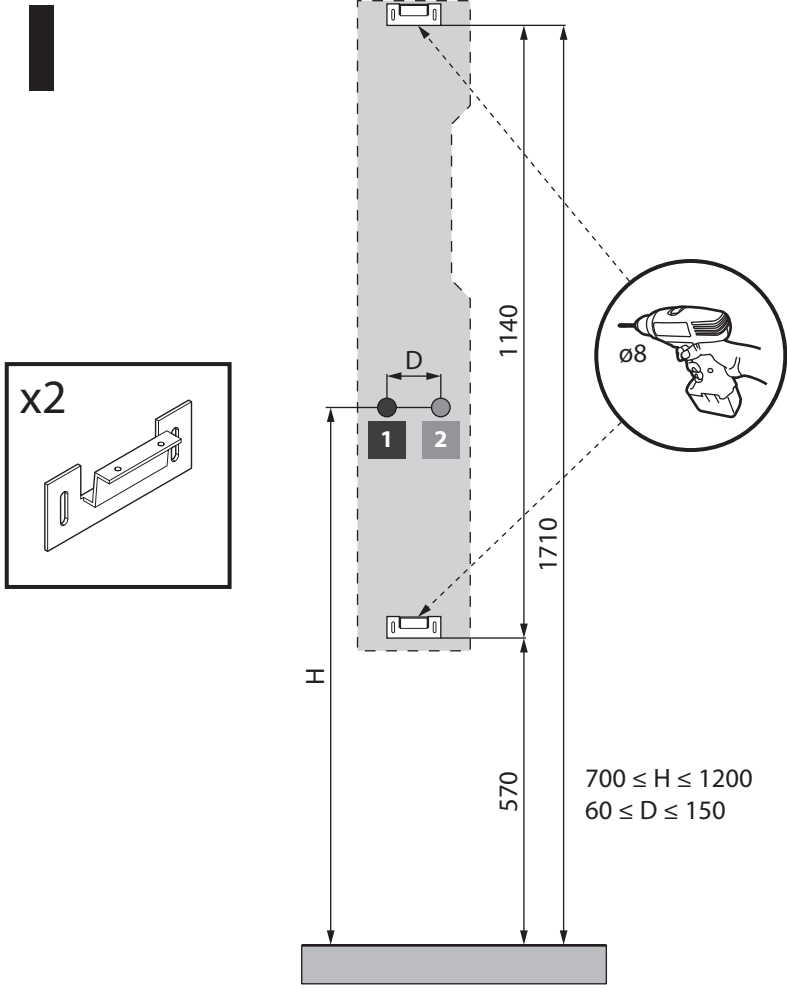
Pag. 5

VANITY

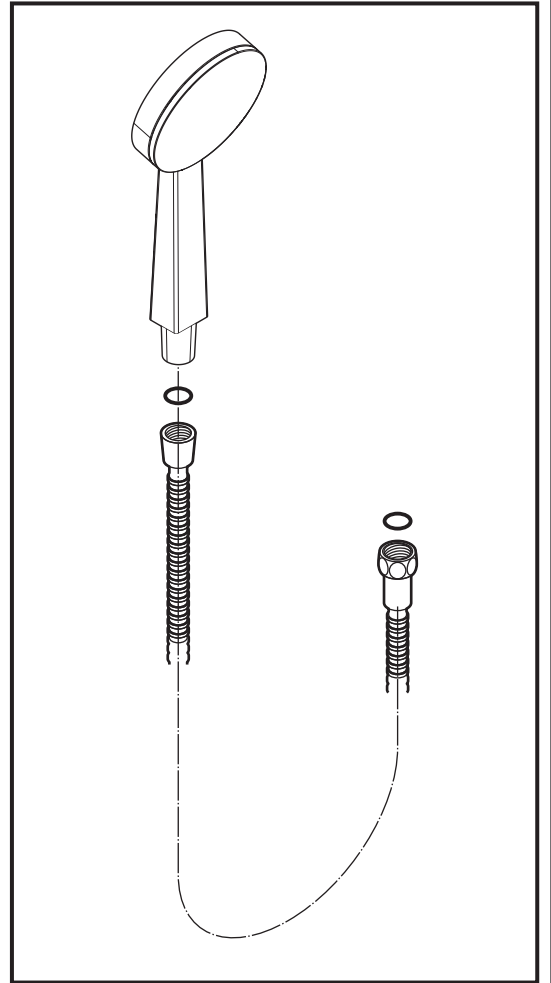
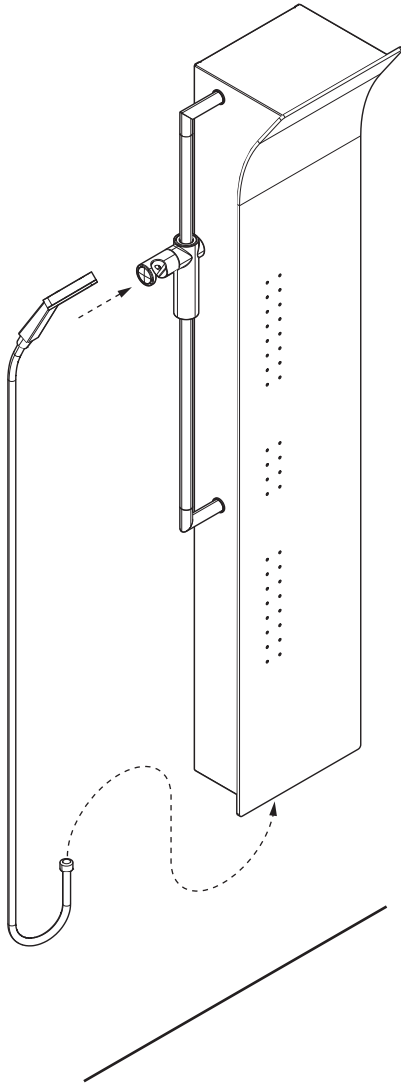


$700 \leq H \leq 1200$
 $60 \leq D \leq 150$

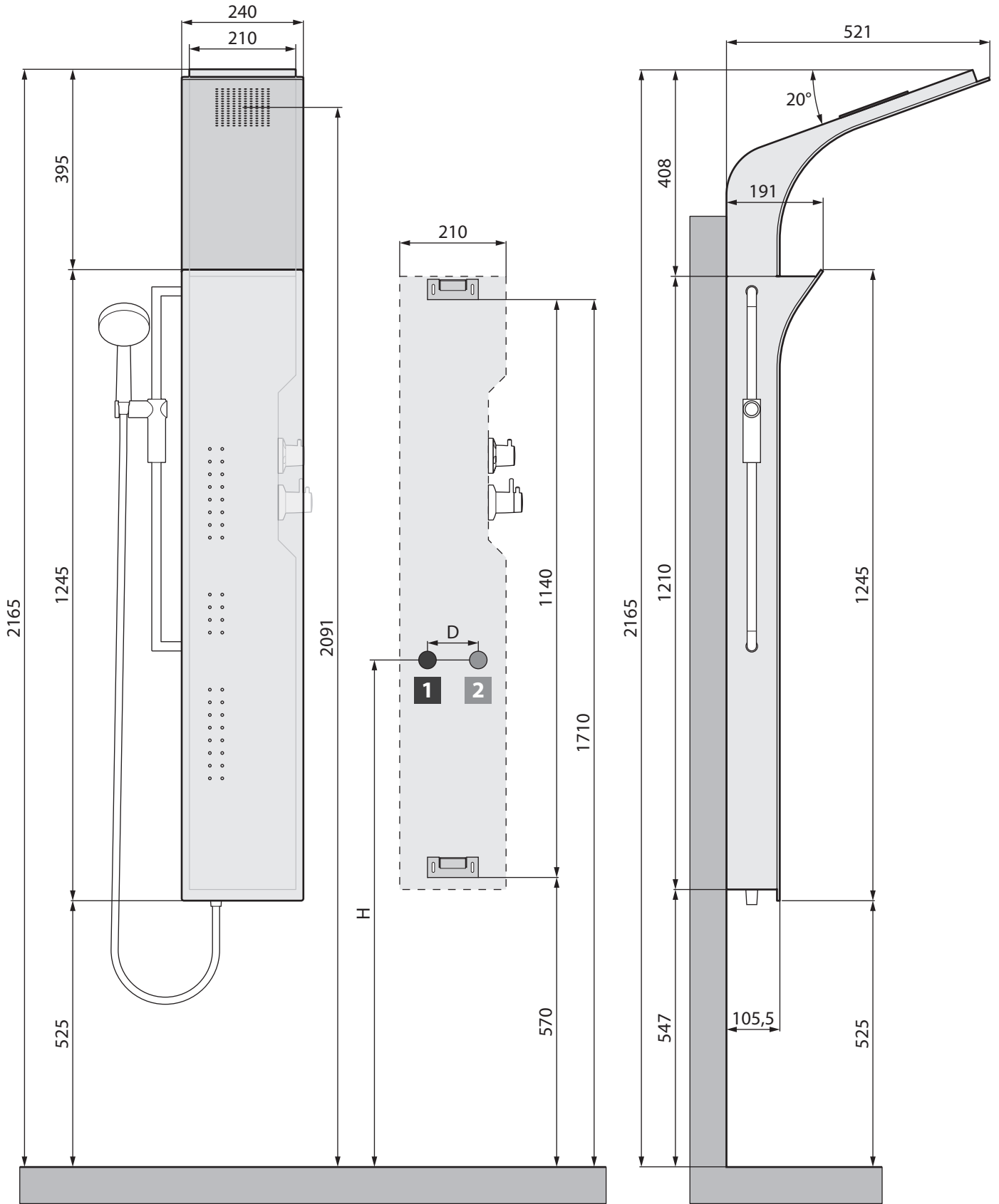




3

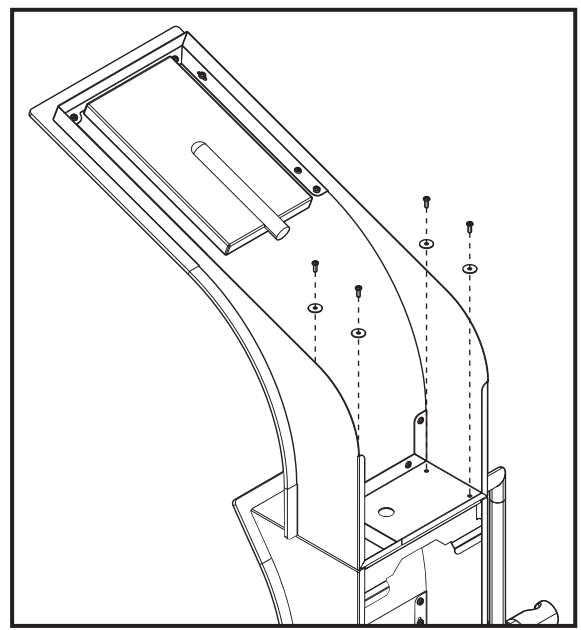
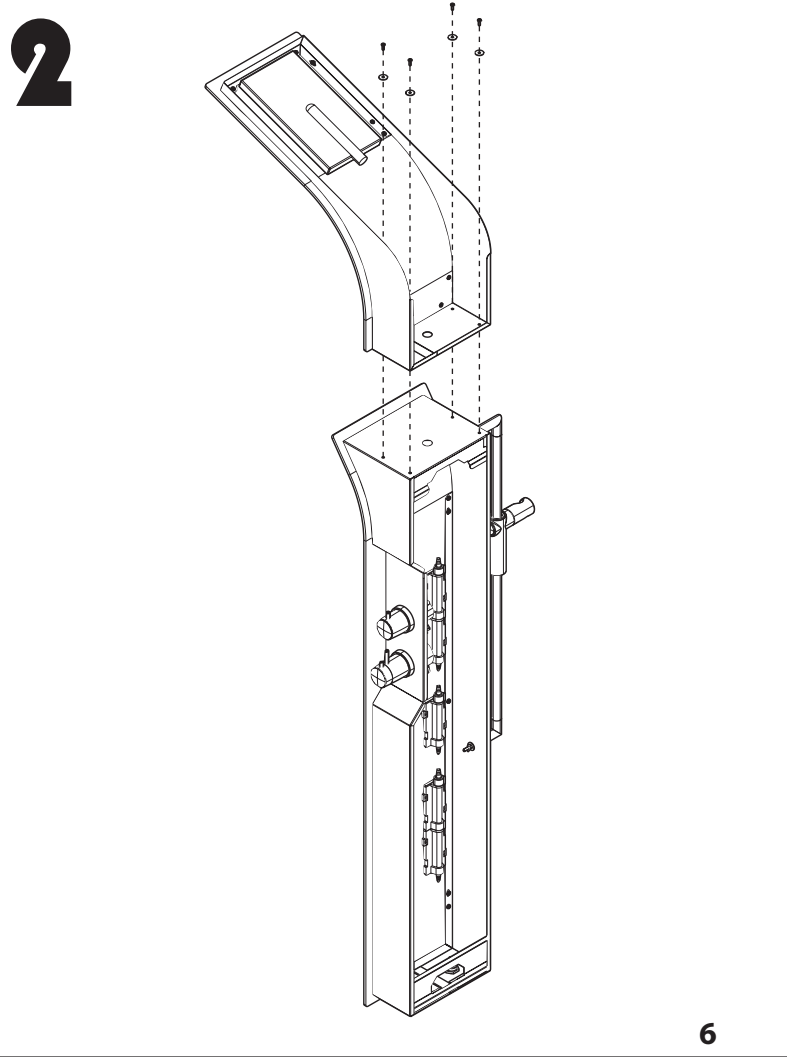
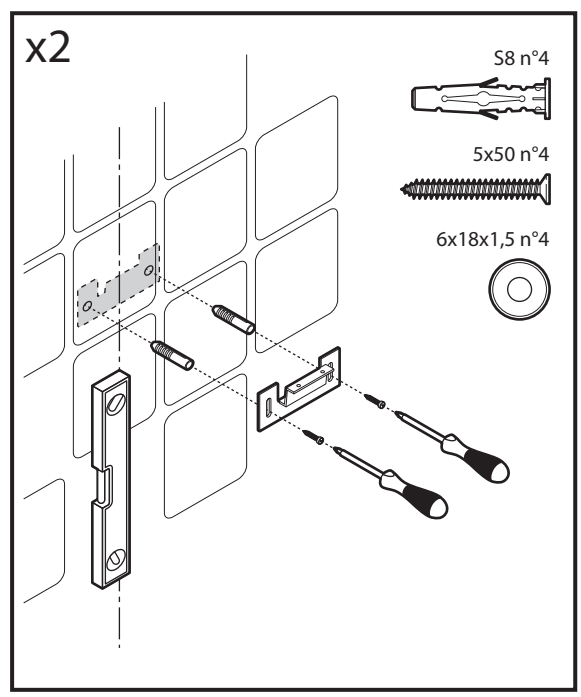
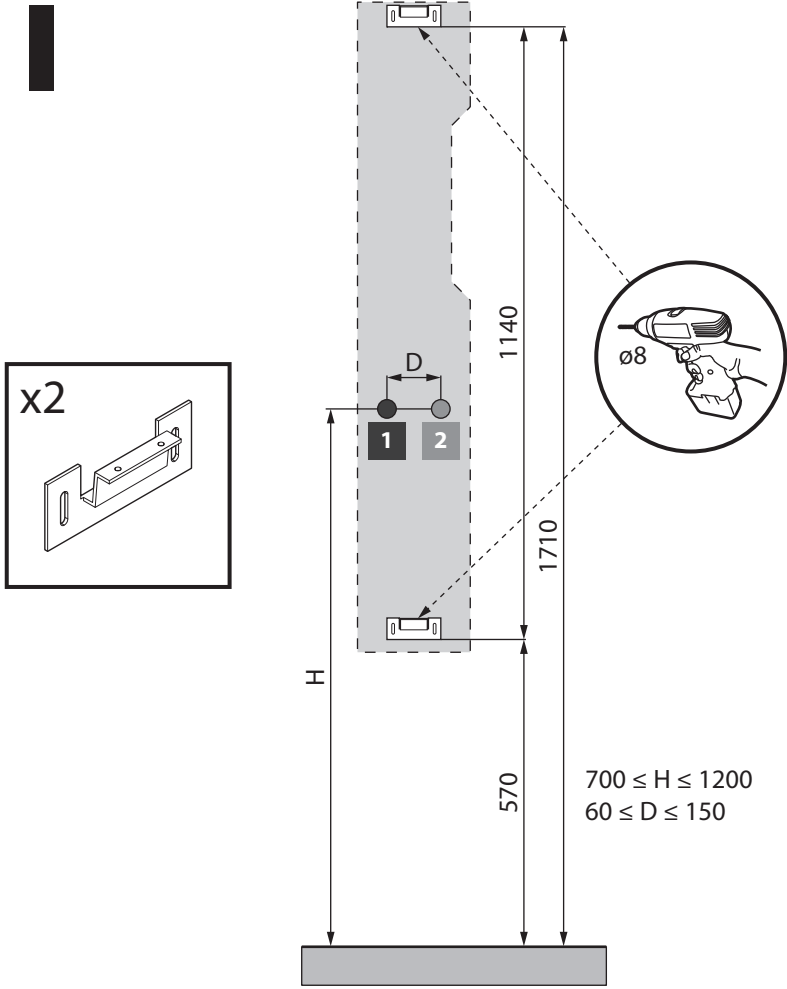


VANITY S

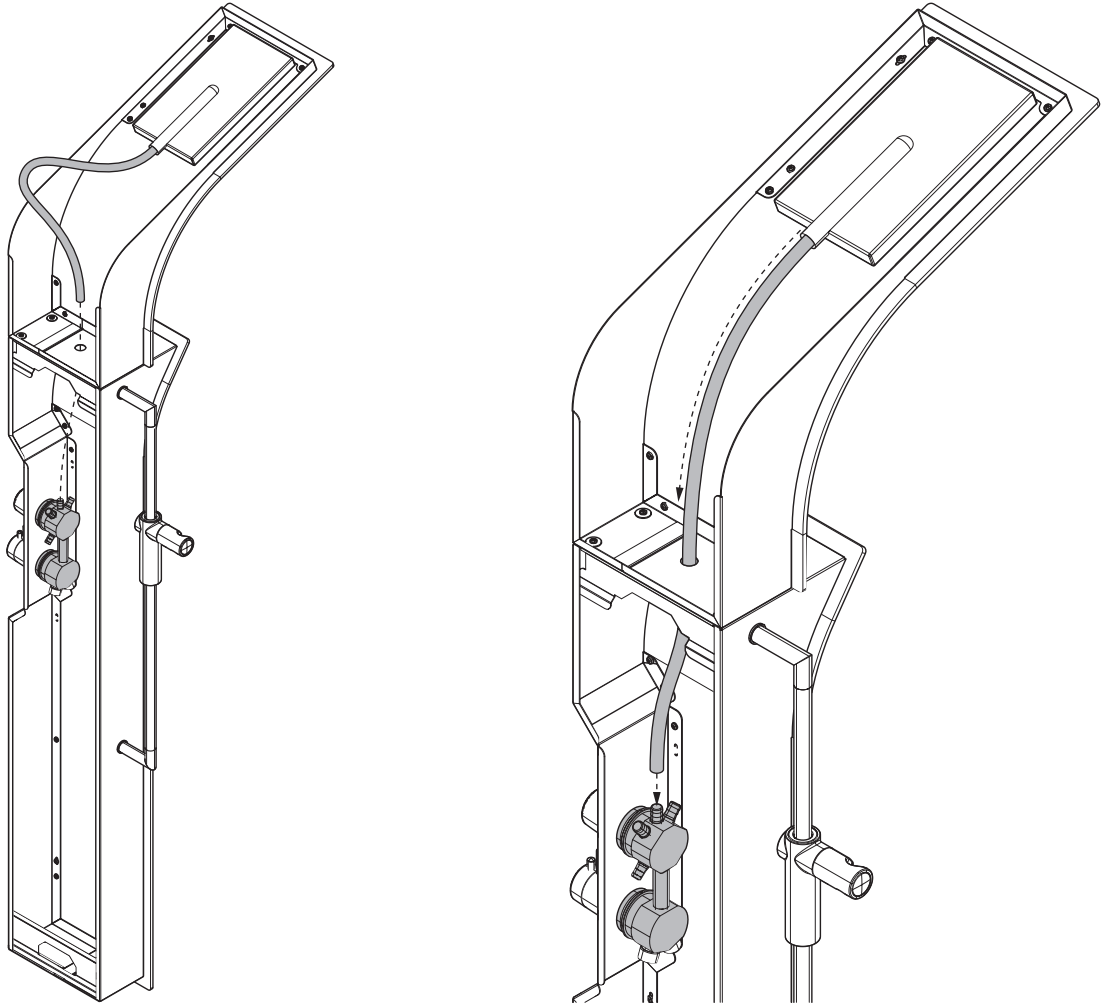


700 ≤ H ≤ 1200
60 ≤ D ≤ 150

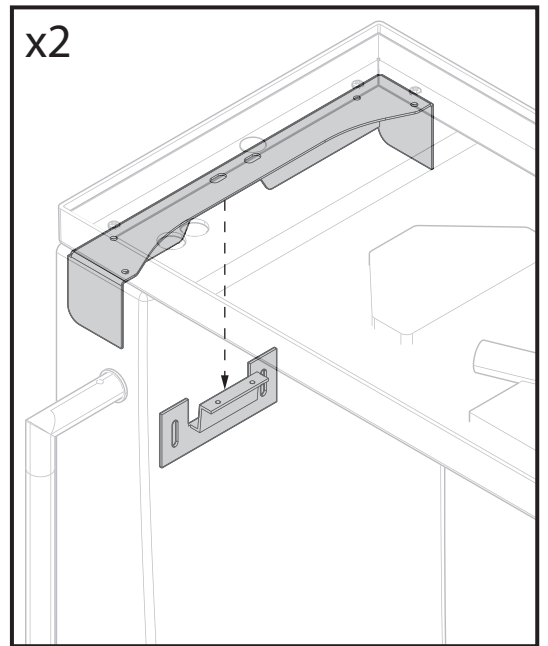
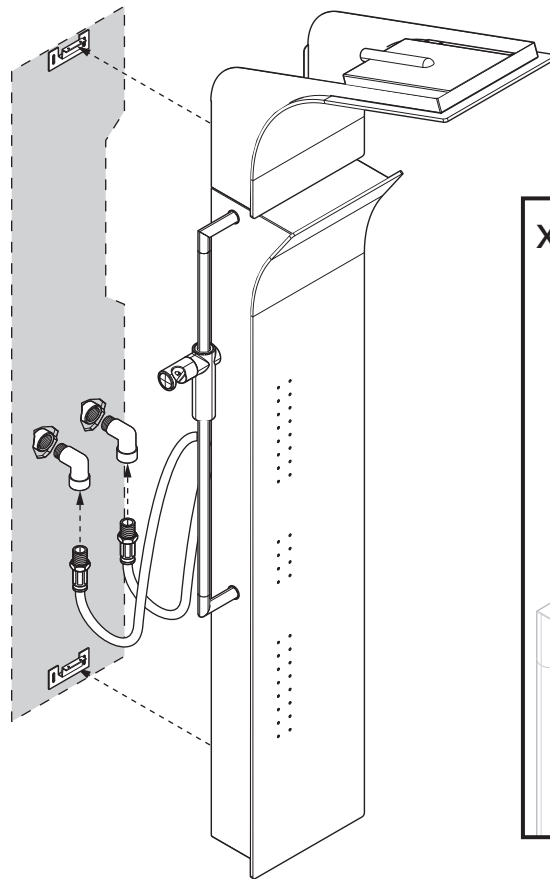
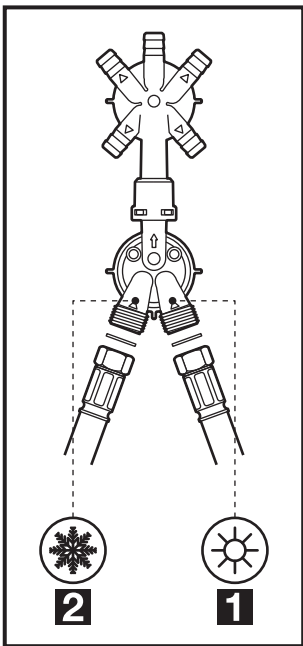




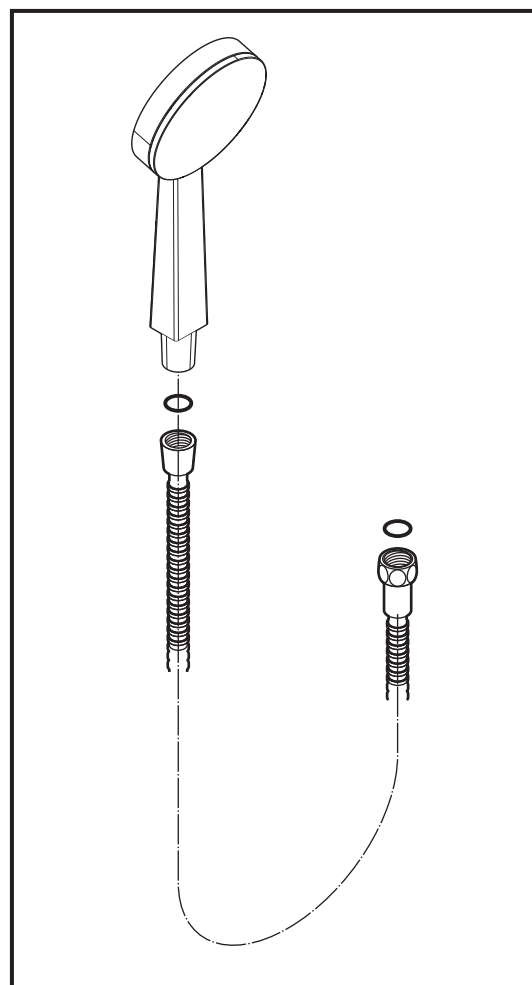
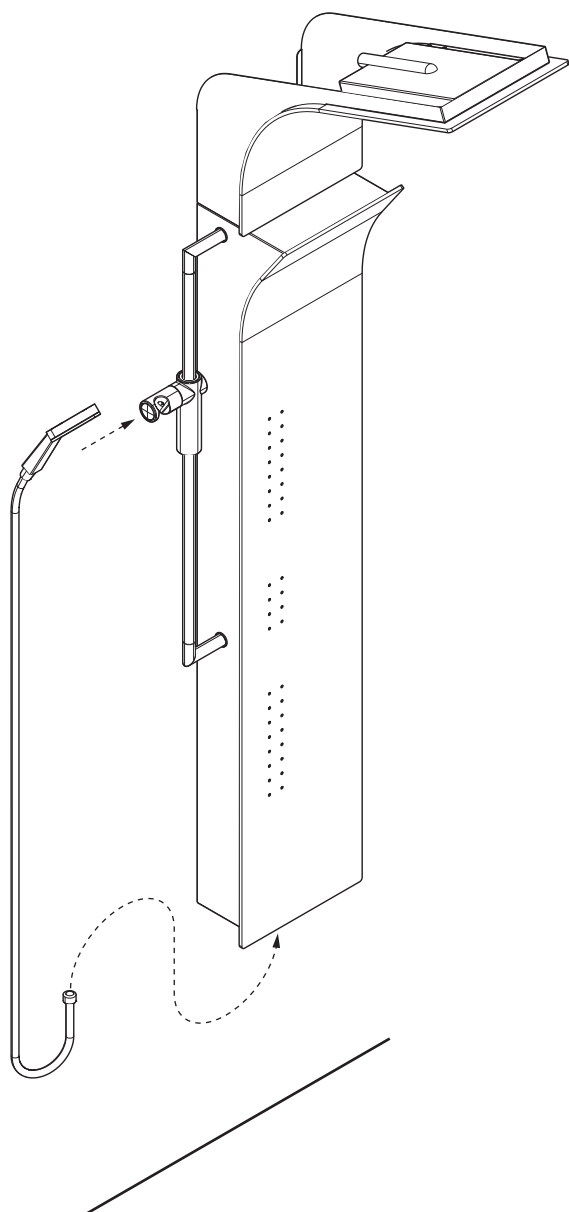
3



4



5



203319

NOVELLINI S.p.A.

Via Mantova, 1023 - 46030 Romanore di Borgo Virgilio (Mn)

Tel. +39 0376 6421 - Fax +39 0376 642250 - e-mail: novellini@novellini.it

www.novellini.com

60713IST (02 2016)