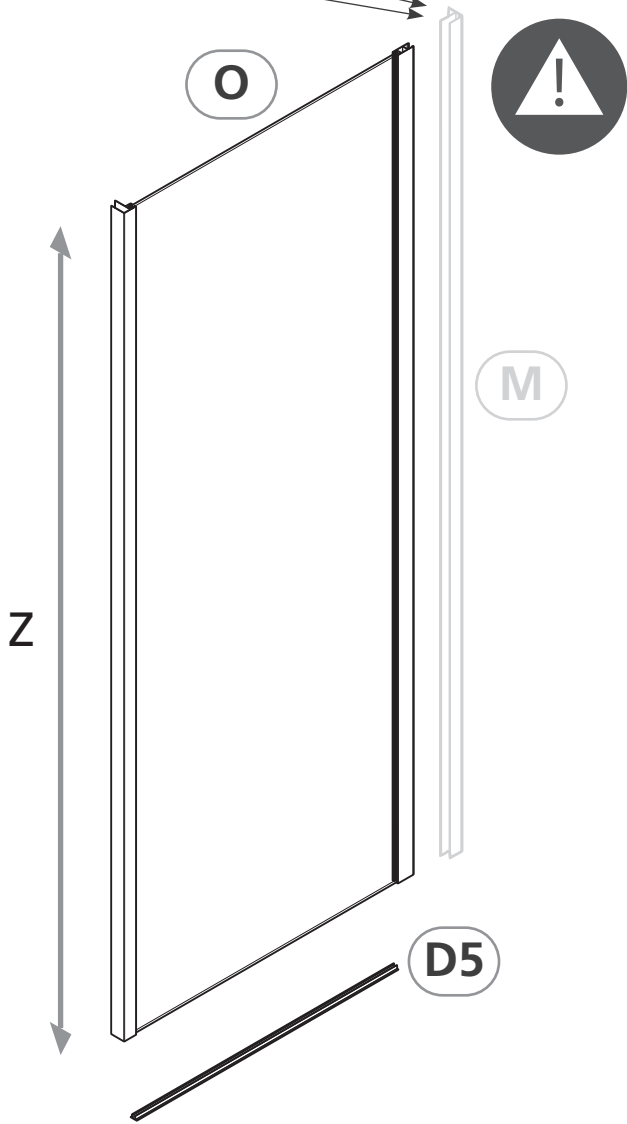
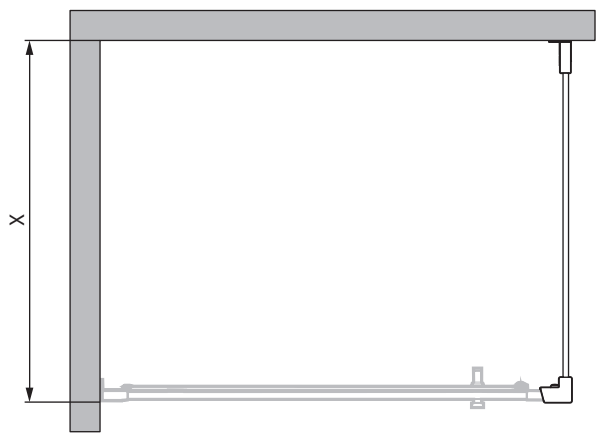
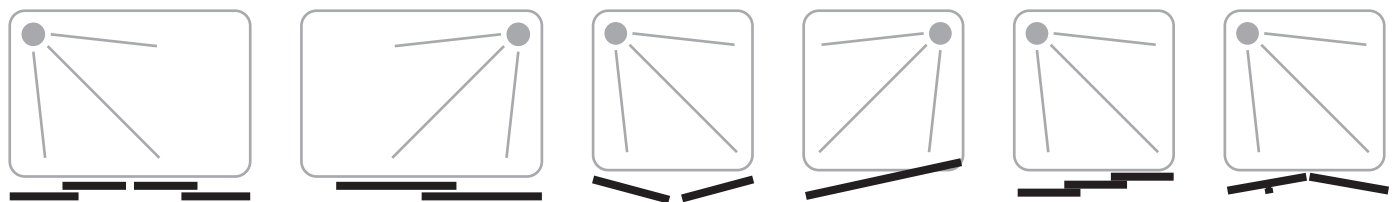
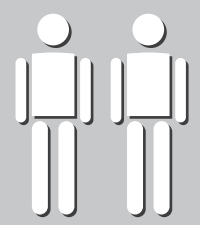
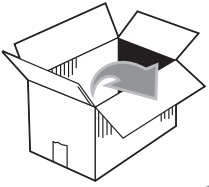


<hr/> <hr/> <hr/> <hr/>	<hr/> <hr/> <hr/> <hr/>
-------------------------	-------------------------

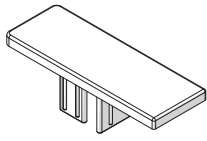


F66	X=66-69 cm	Z=195 cm
F68	X=68-71 cm	Z=195 cm
F73	X=73-76 cm	Z=195 cm
F76	X=76-79 cm	Z=195 cm
F78	X=78-81 cm	Z=195 cm
F83	X=83-86 cm	Z=195 cm
F88	X=88-91 cm	Z=195 cm
F93	X=93-96 cm	Z=195 cm
F98	X=98-101 cm	Z=195 cm
F118	X=118-121 cm	Z=195 cm

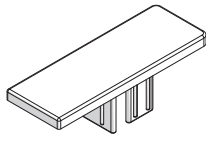




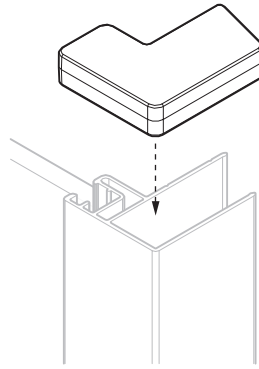
B2



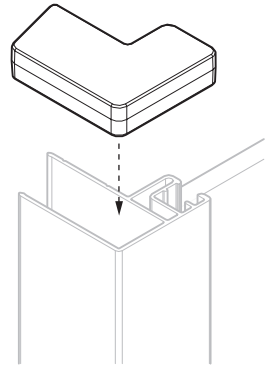
B3



B4



B5



C5



3,5x9,5 mm

x2

C6

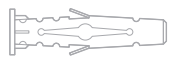


x4

M



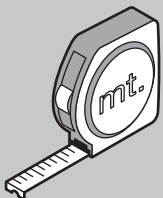
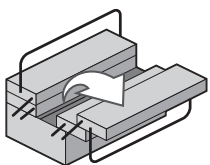
C1 x2



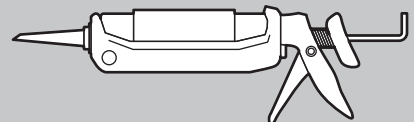
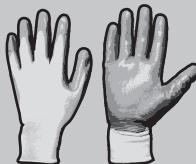
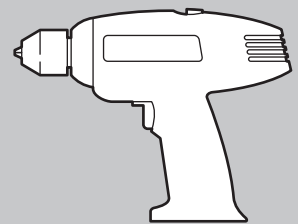
C2 x2



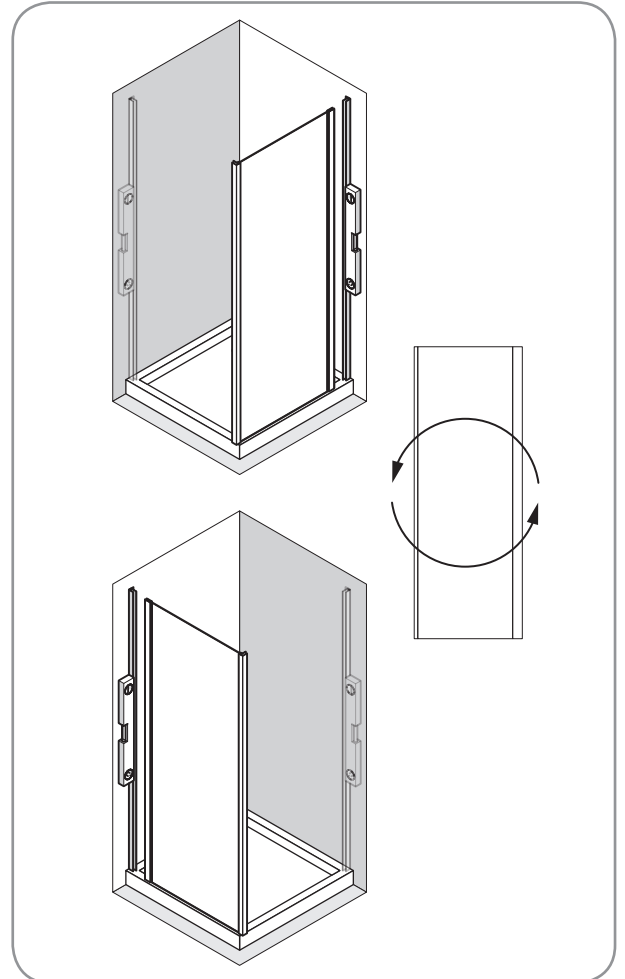
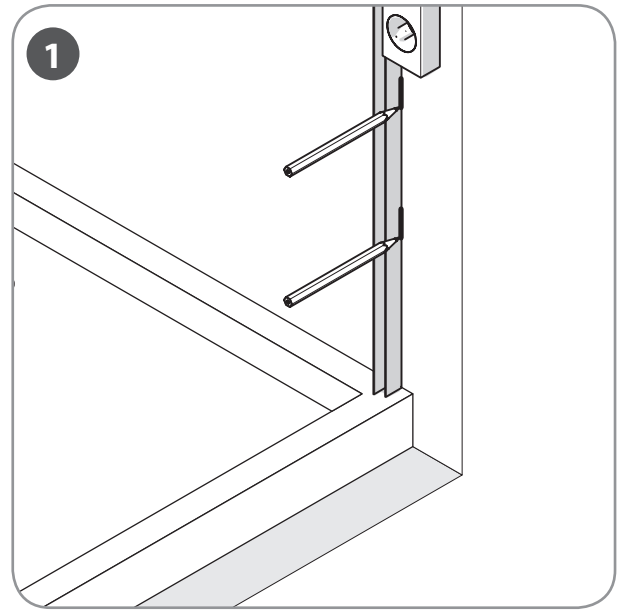
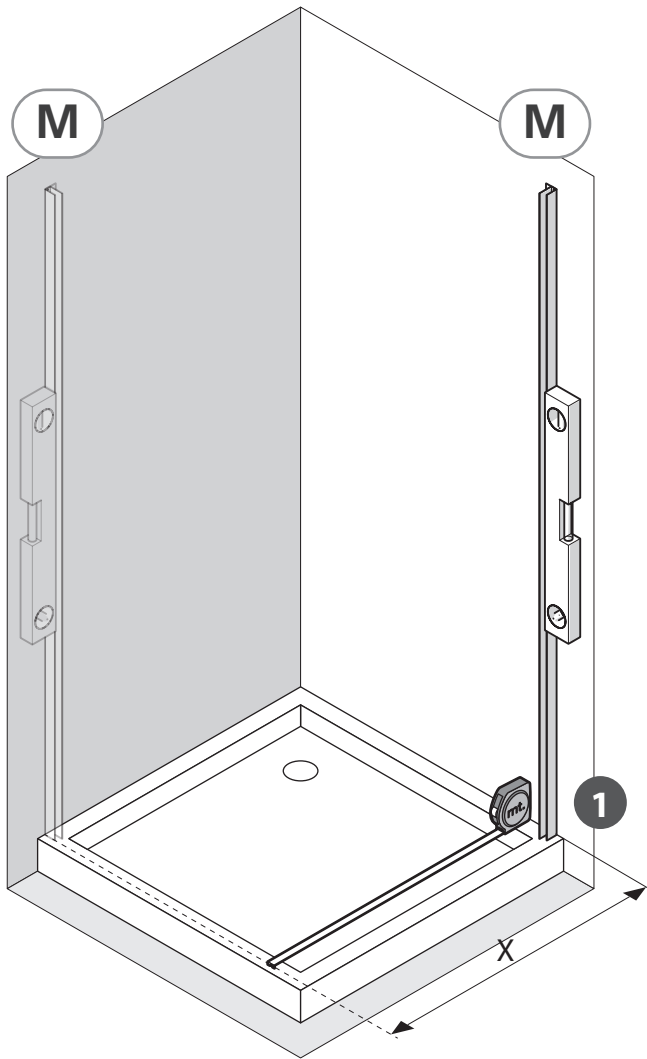
4X35 mm



ø6 mm

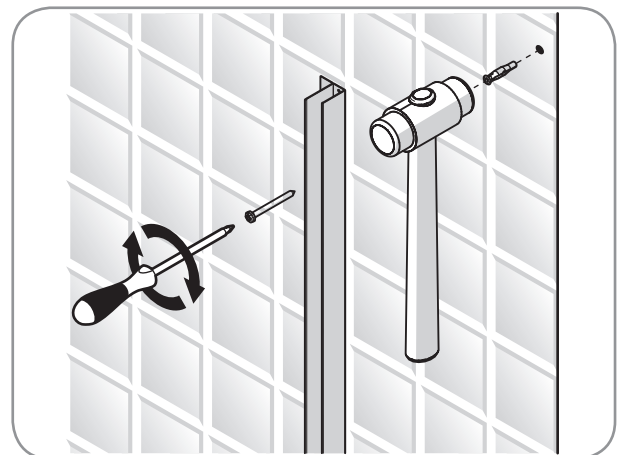
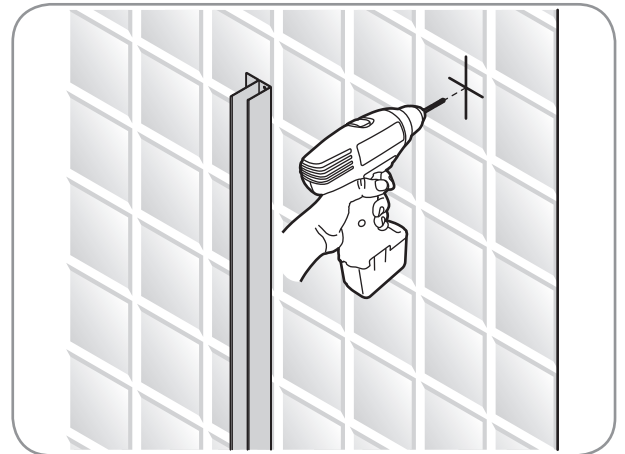
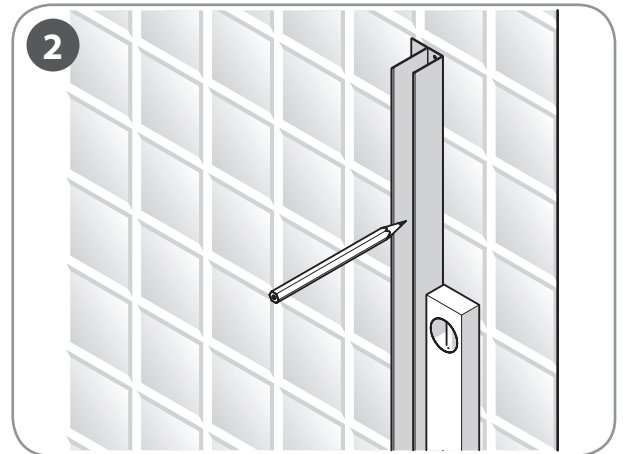
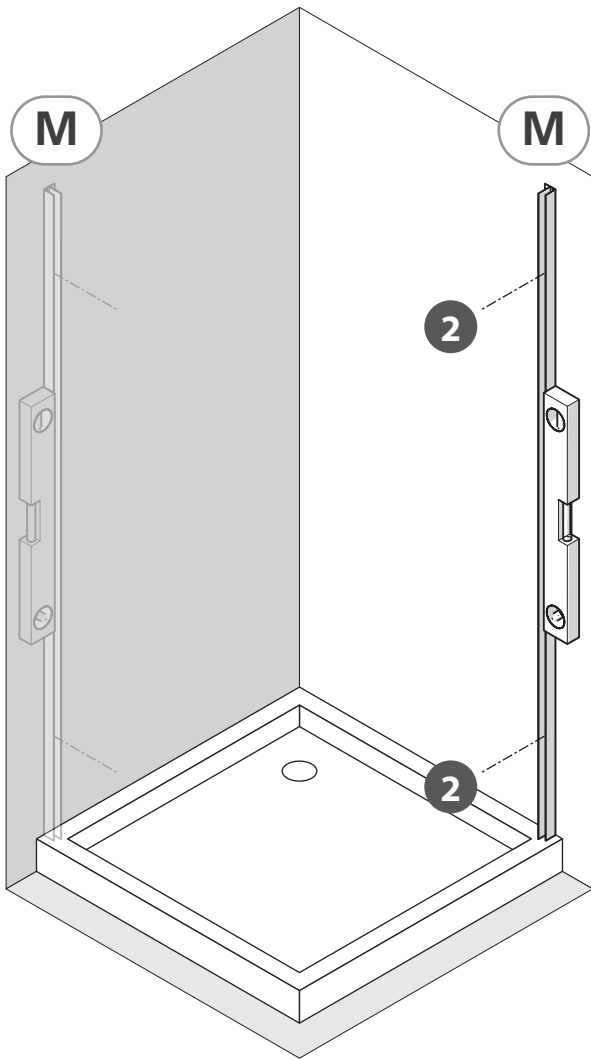


1



F66	X=66-69 cm
F68	X=68-71 cm
F73	X=73-76 cm
F76	X=76-79 cm
F78	X=78-81 cm
F83	X=83-86 cm
F88	X=88-91 cm
F93	X=93-96 cm
F98	X=98-101 cm
F118	X=118-121 cm

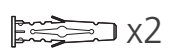




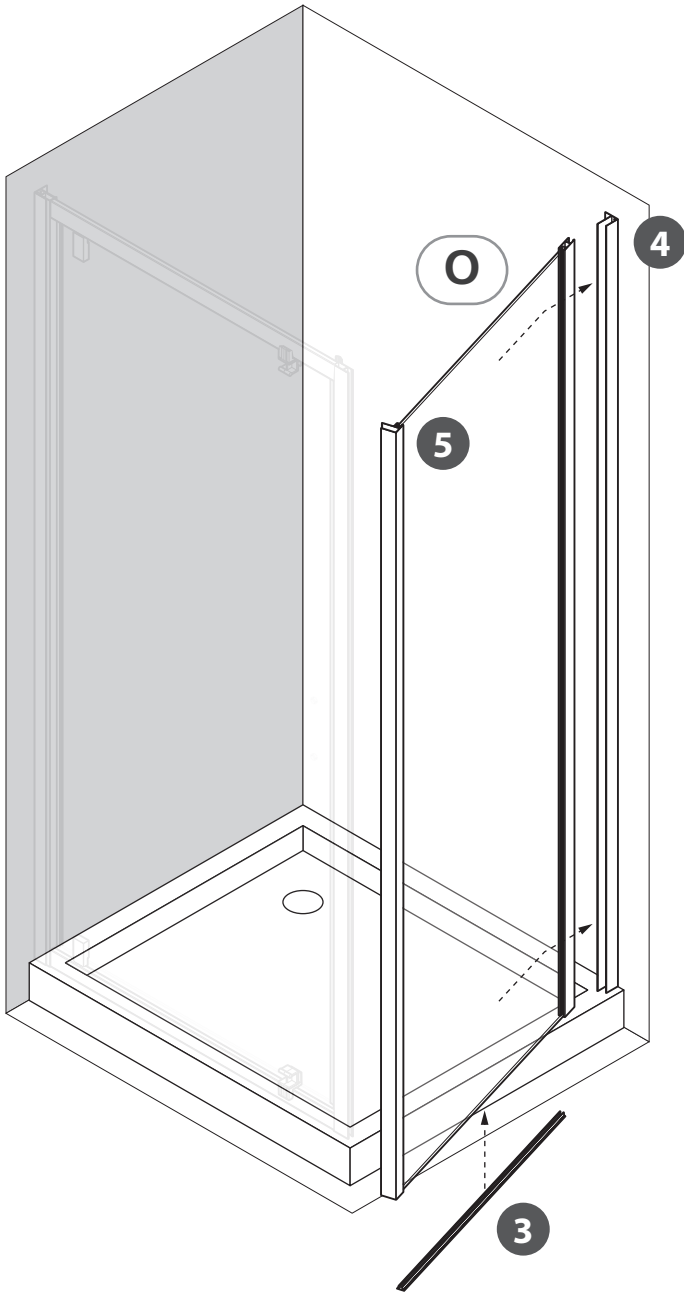
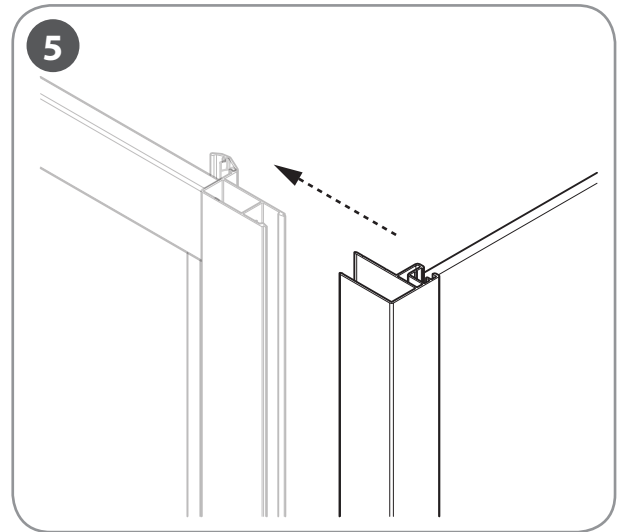
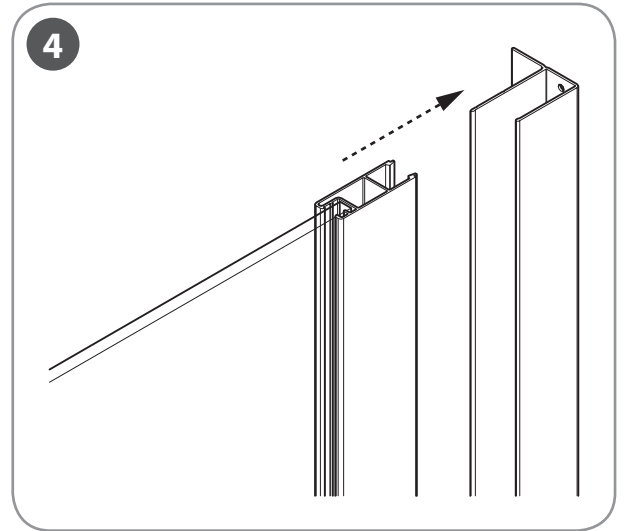
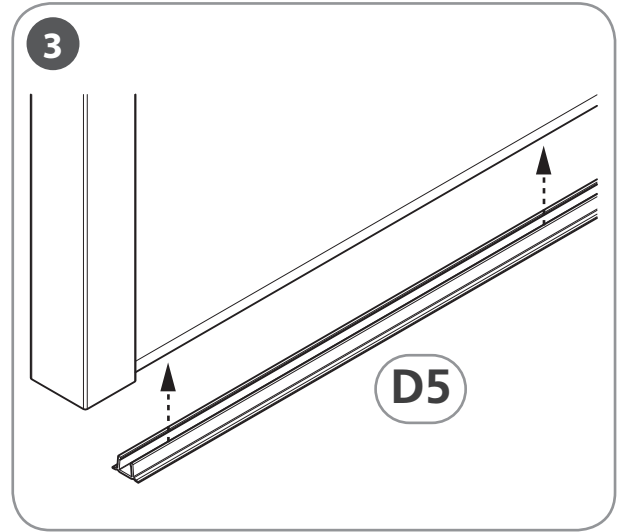
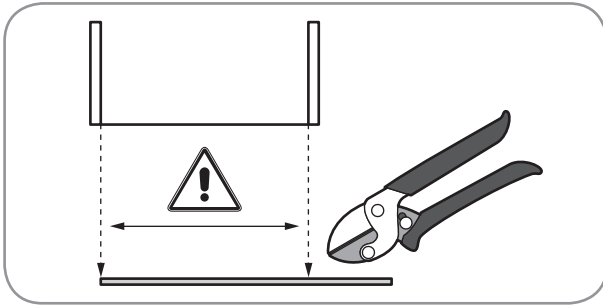
M



4X35 mm x2

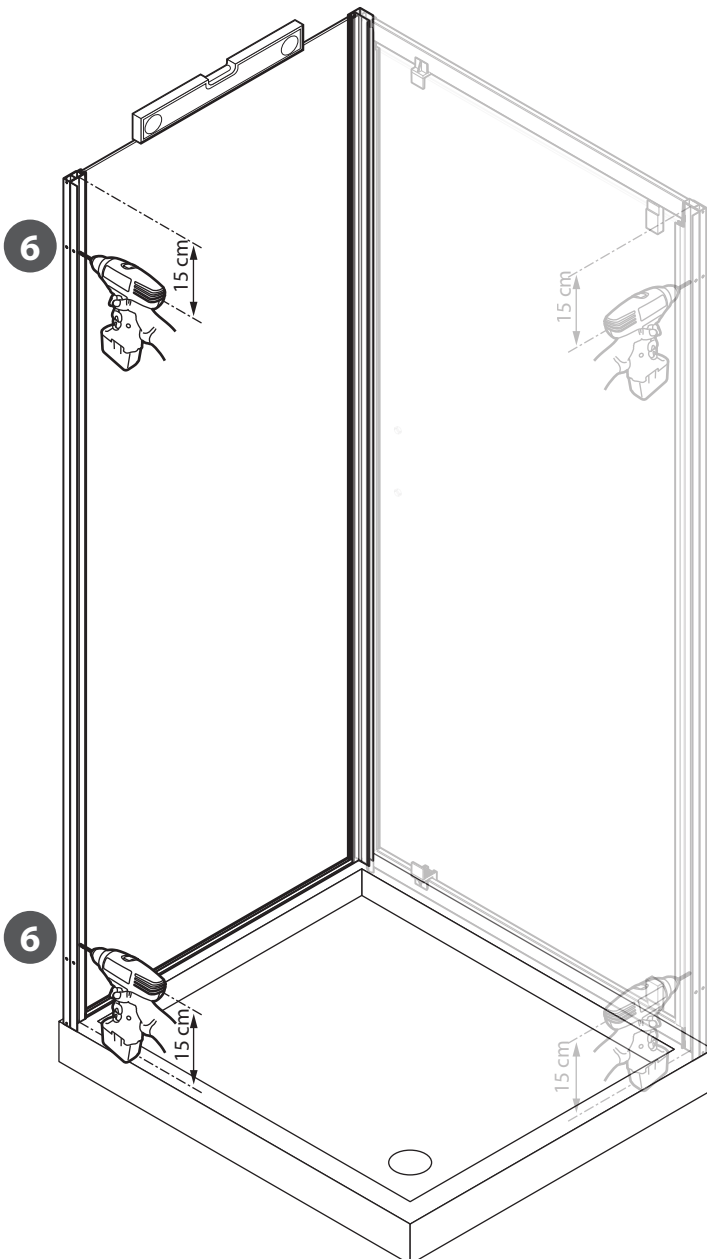
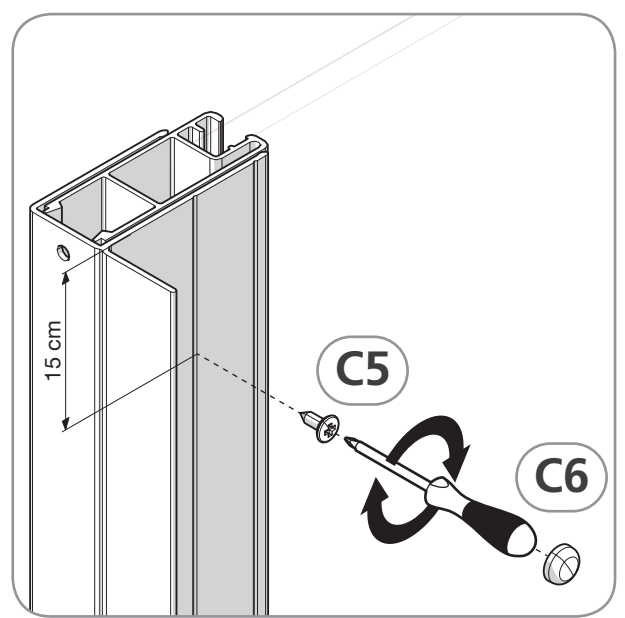
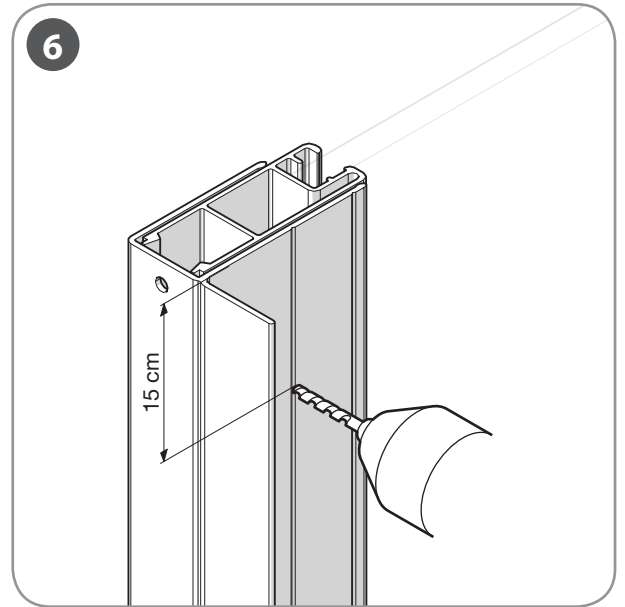
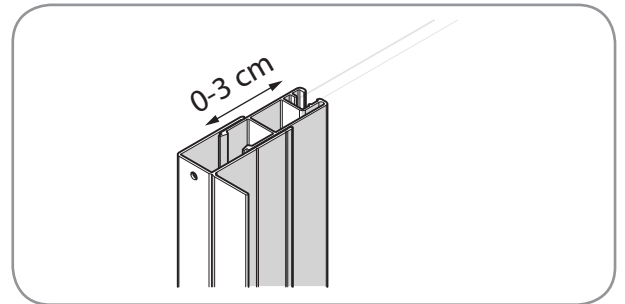
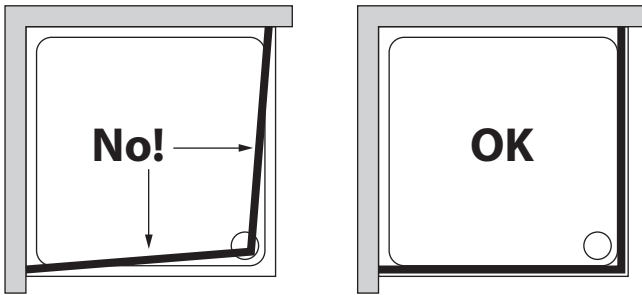


3



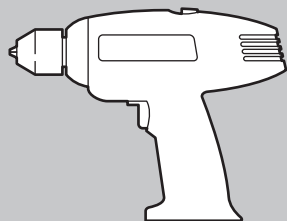
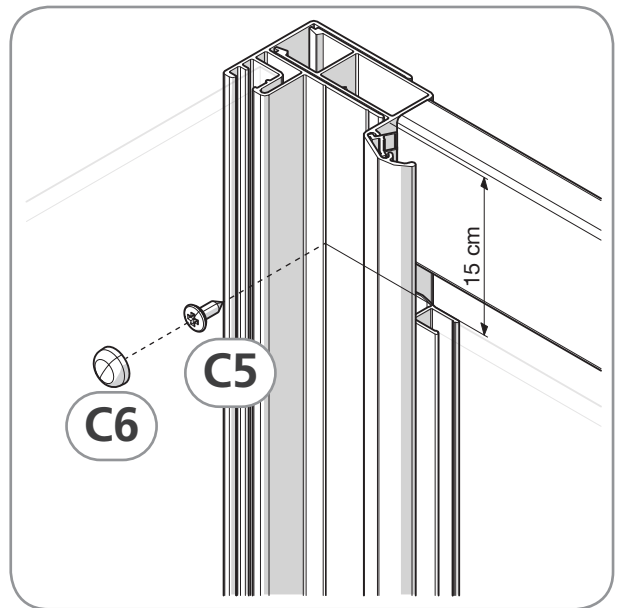
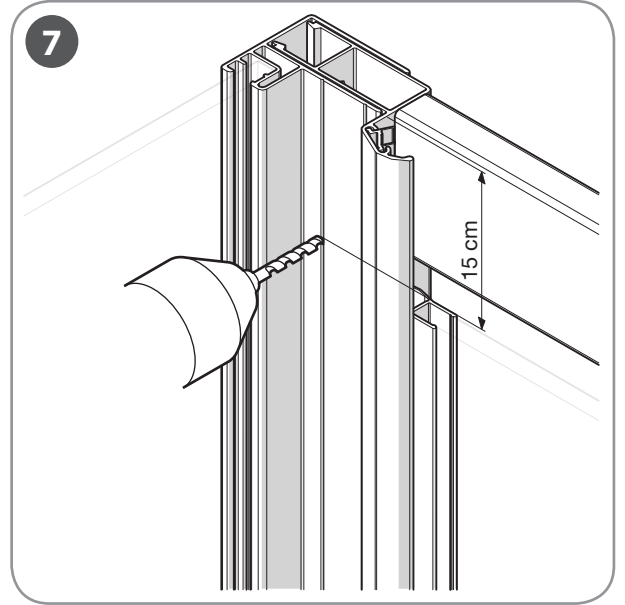
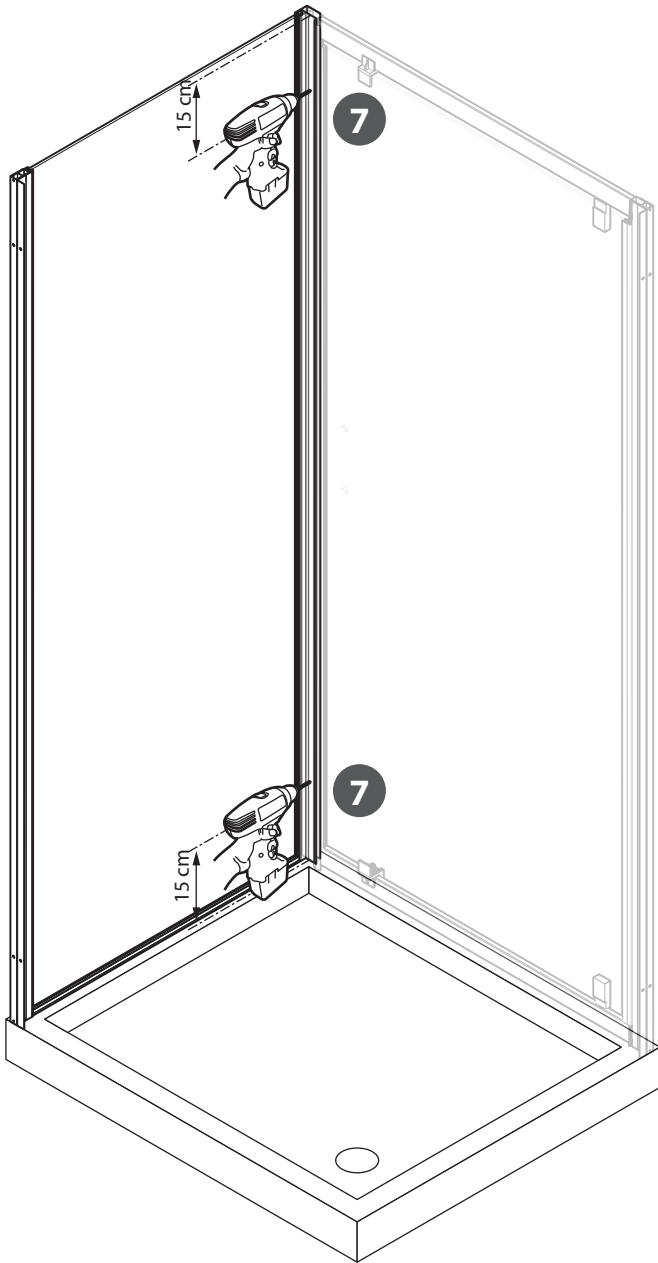
D5





	+			<p>3,5x9,5 mm x2</p>			<p>x2</p>
	<p>ø3 mm</p>						

5



ø3 mm

C5



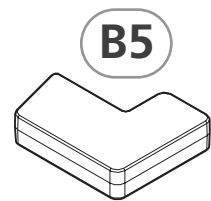
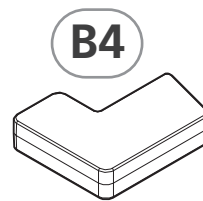
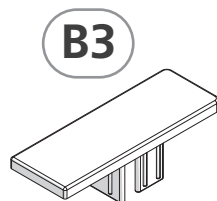
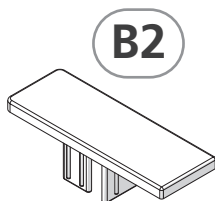
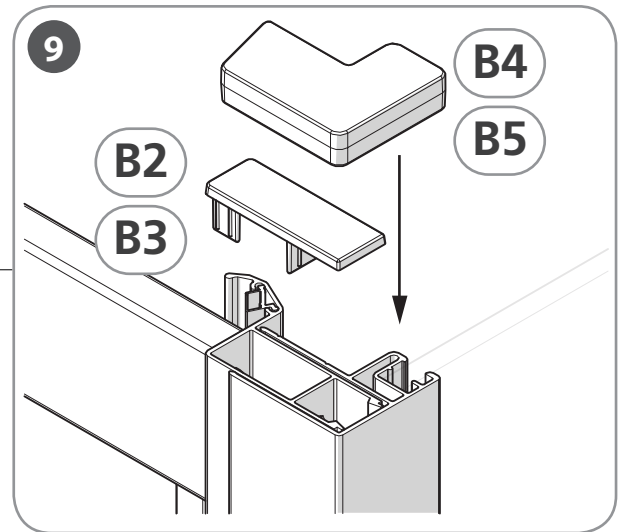
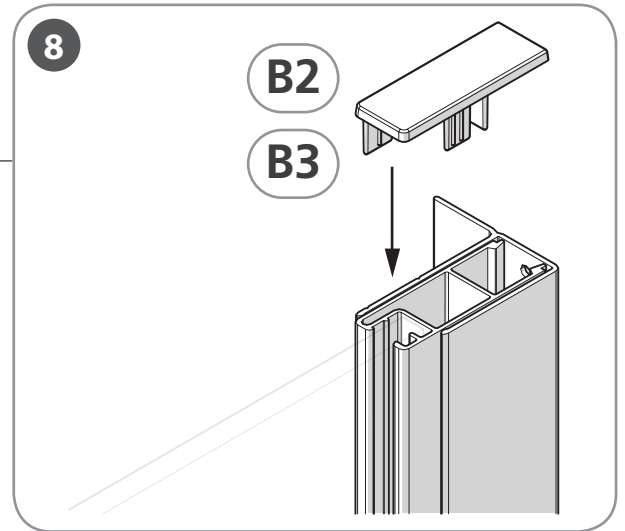
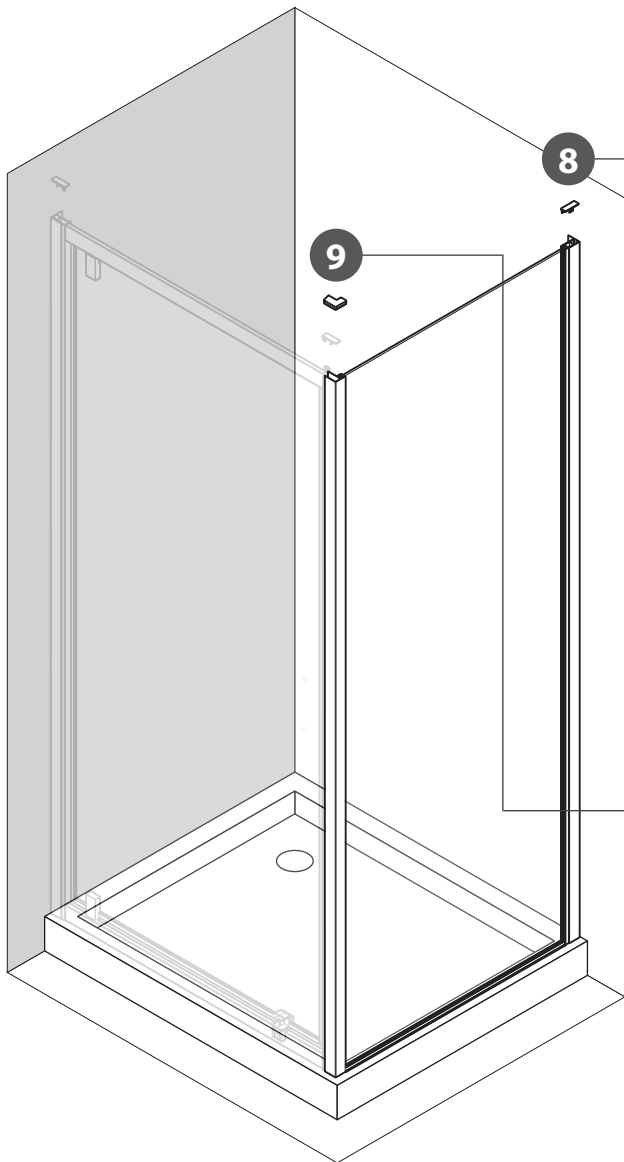
3,5x9,5 mm

x2

C6



x2



7

