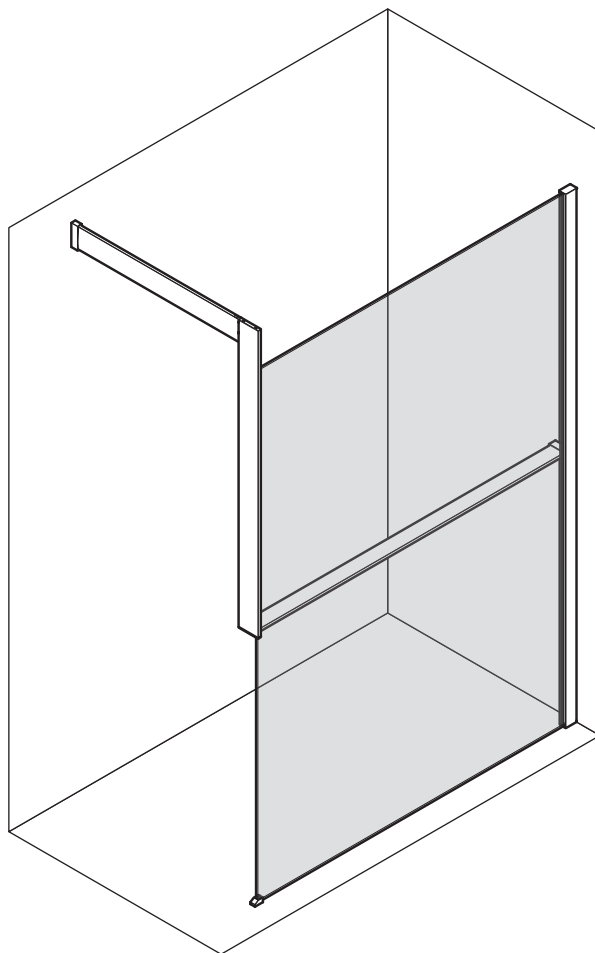
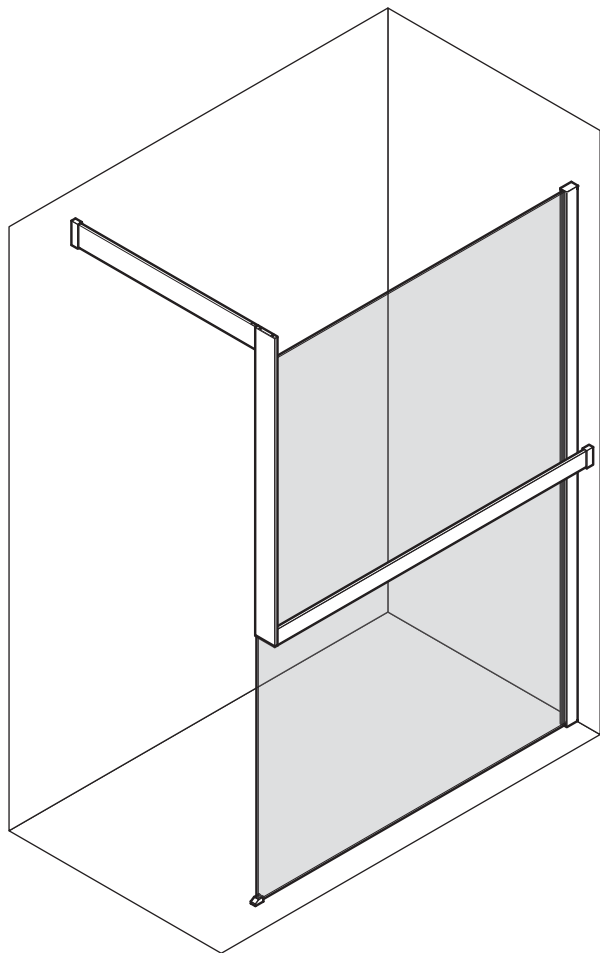


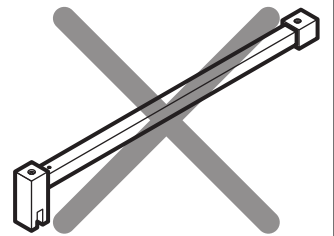
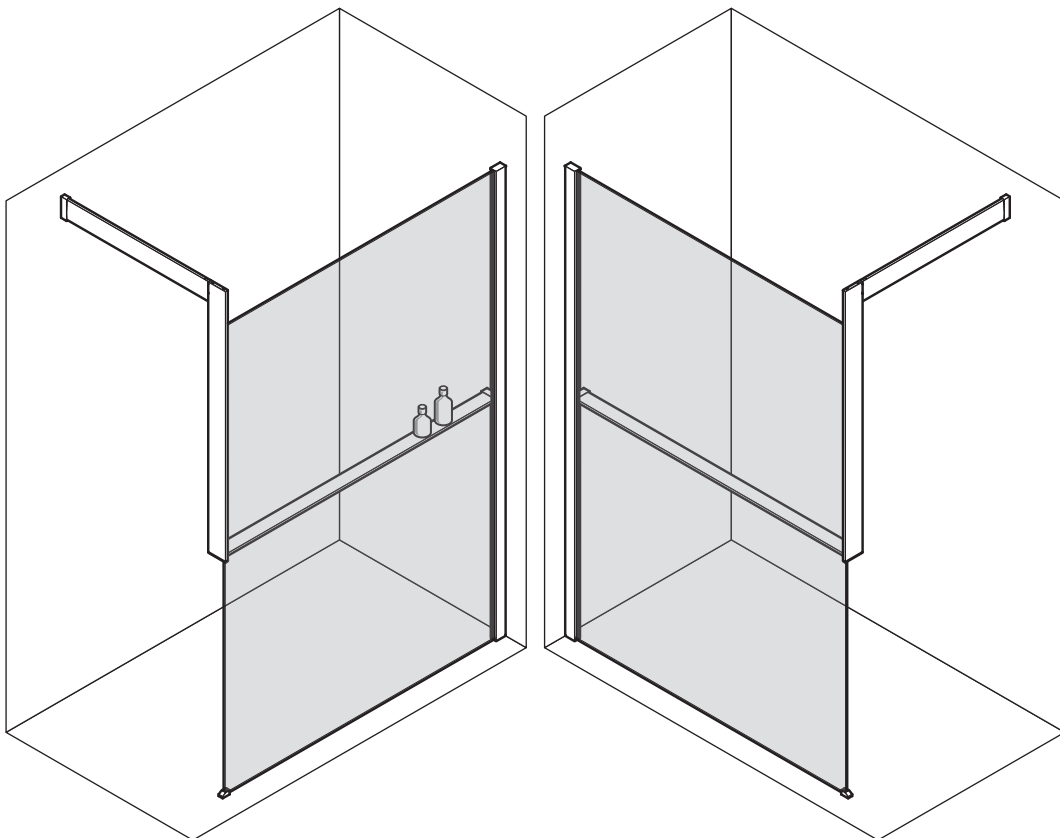
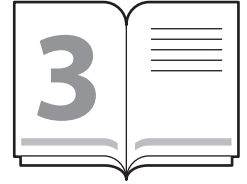
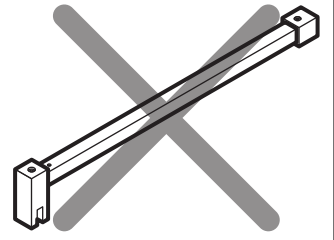
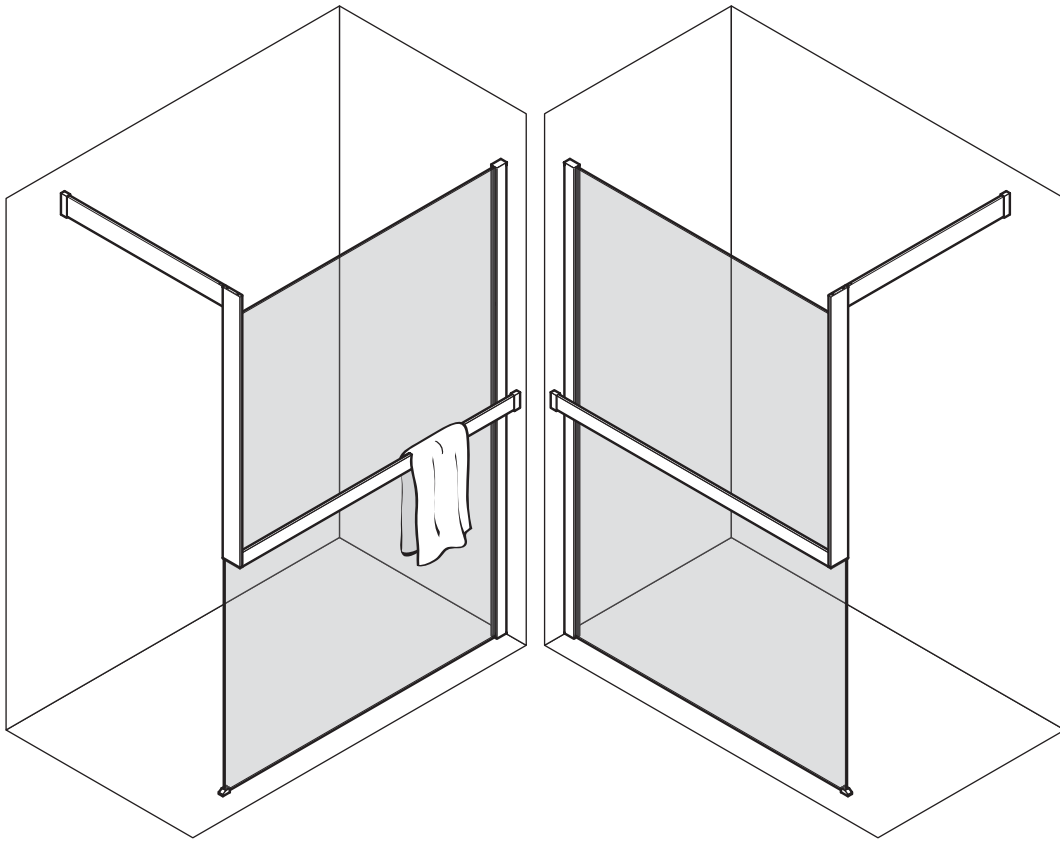
KIT FRAME

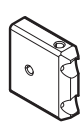
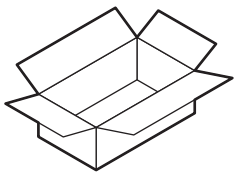
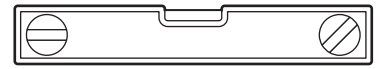
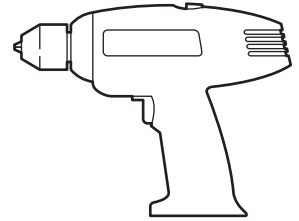
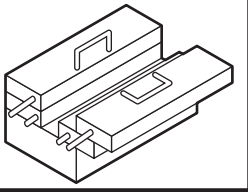


NOVELLINI

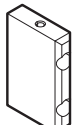


<hr/> <hr/> <hr/> <hr/>	<hr/> <hr/> <hr/> <hr/>
-------------------------	-------------------------

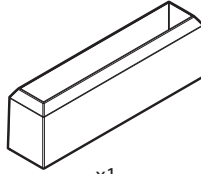




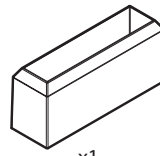
x1



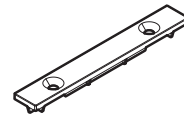
x1



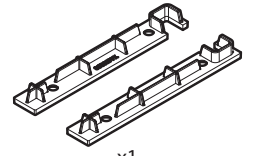
x1



x1



x1



x1



FU8x50 x4



3,5x19 x2



3,5x9,5 x2



M4x25 x1



4,5x60 x4



M4x16 x4



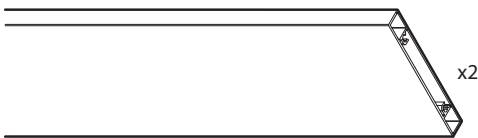
5,3x9,5x1 x4



3,5x25 x2

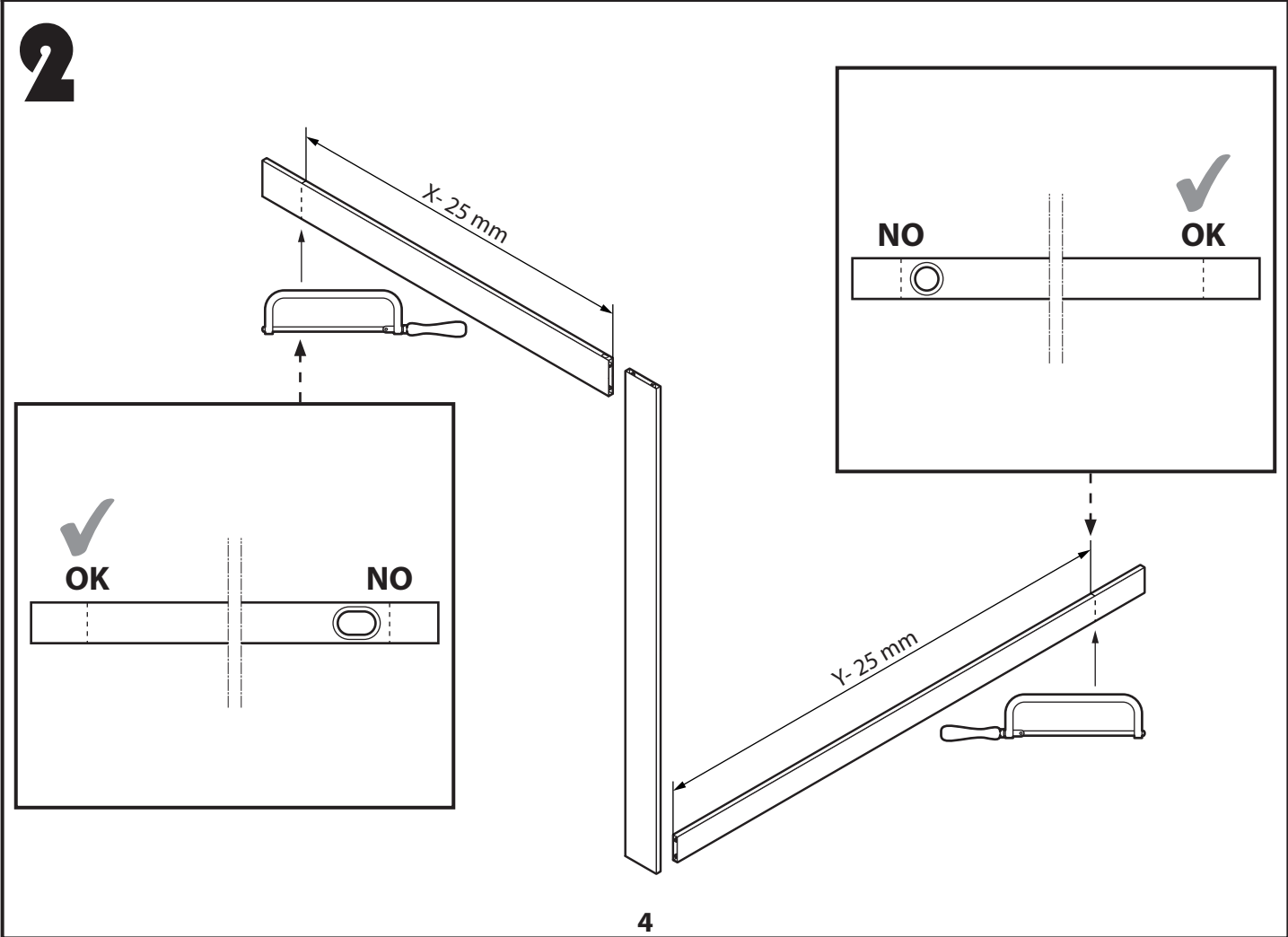
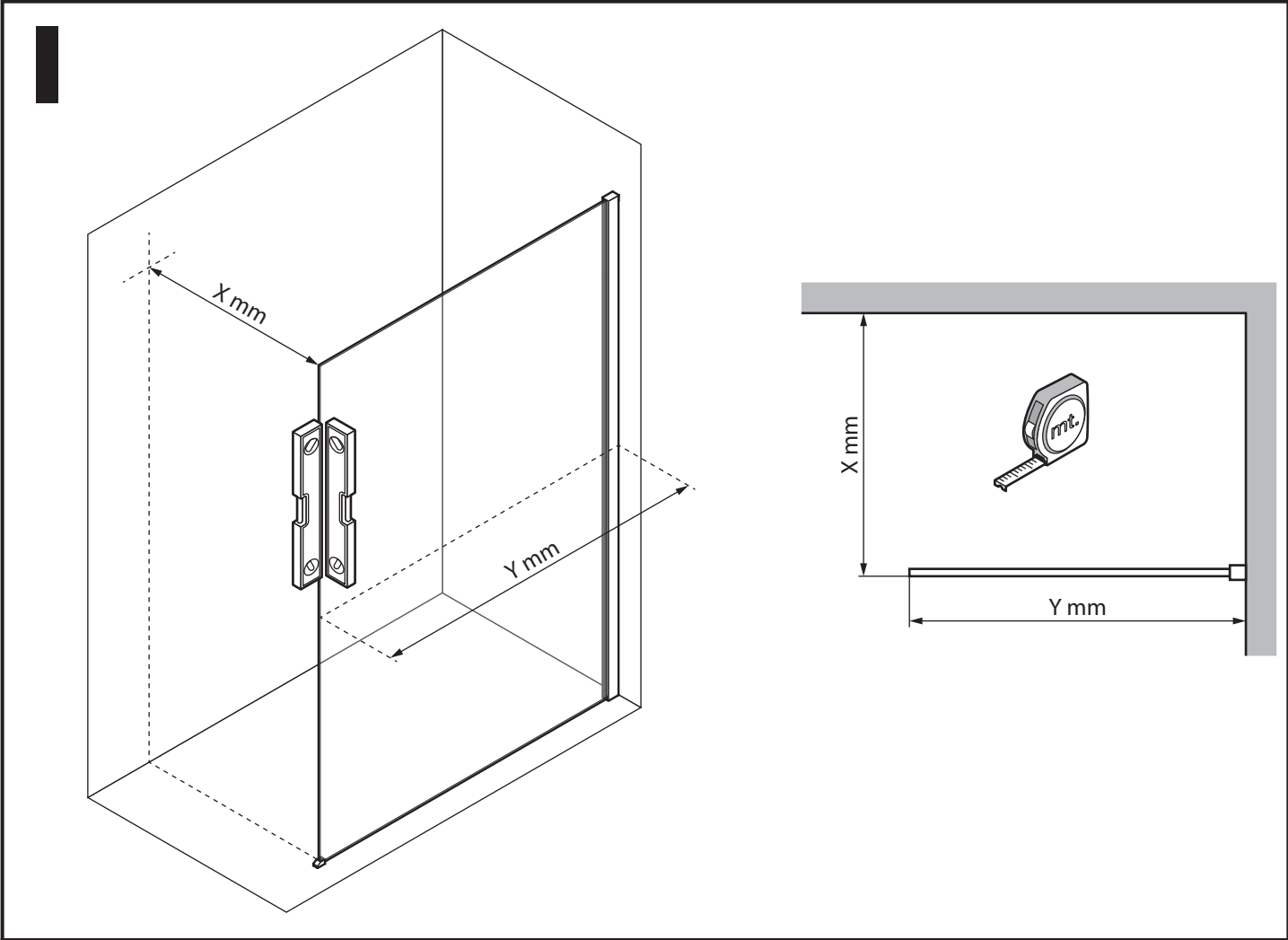


M4x25 x1

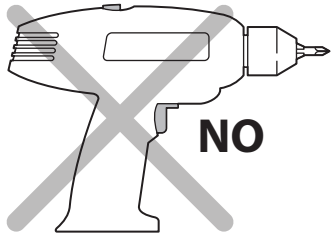


x1

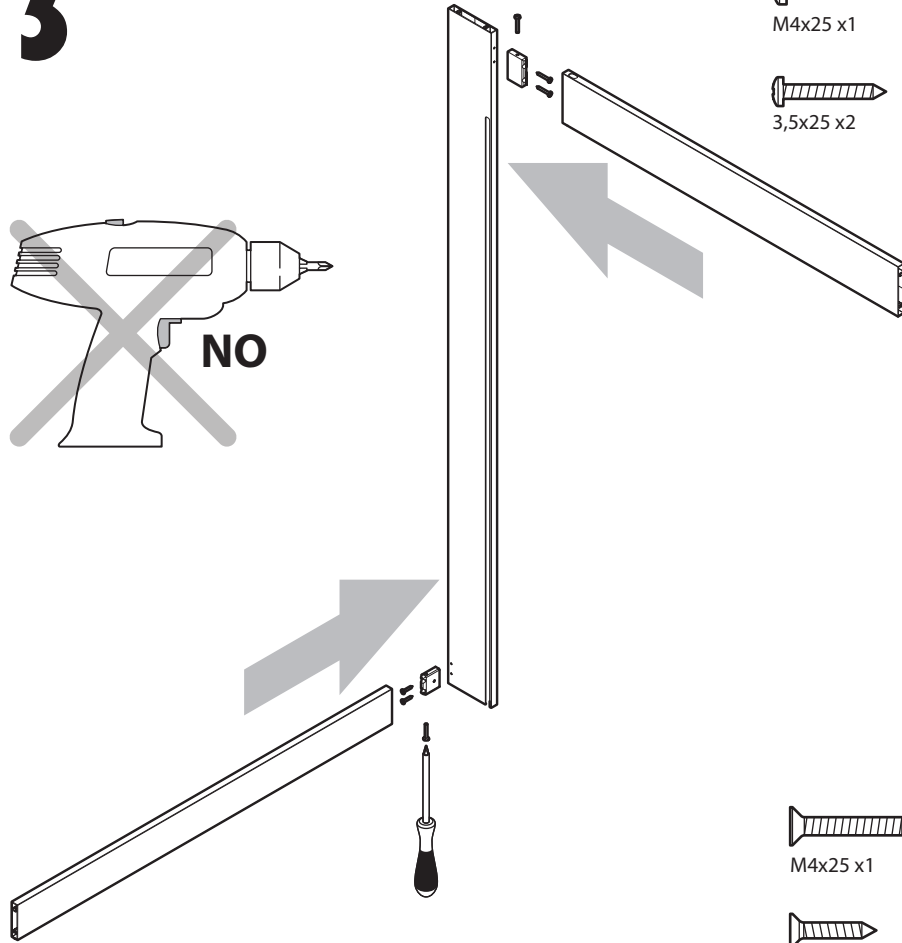




3

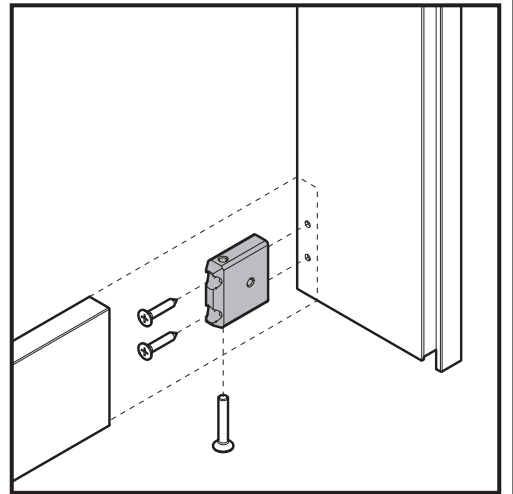
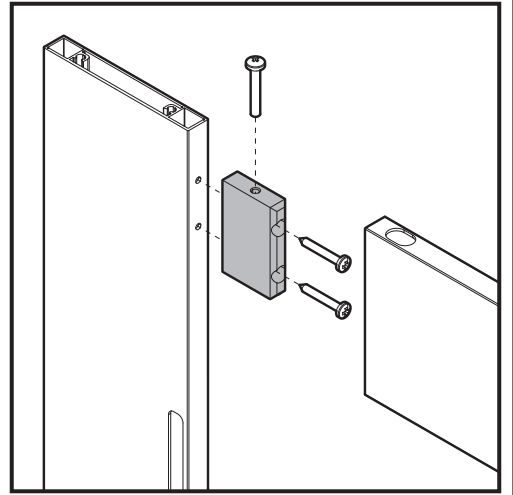


NO



M4x25 x1

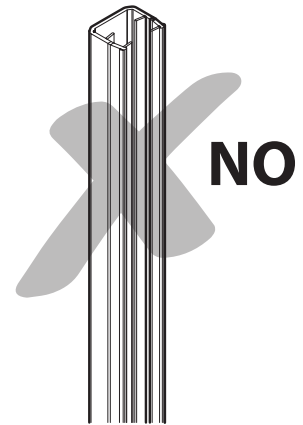
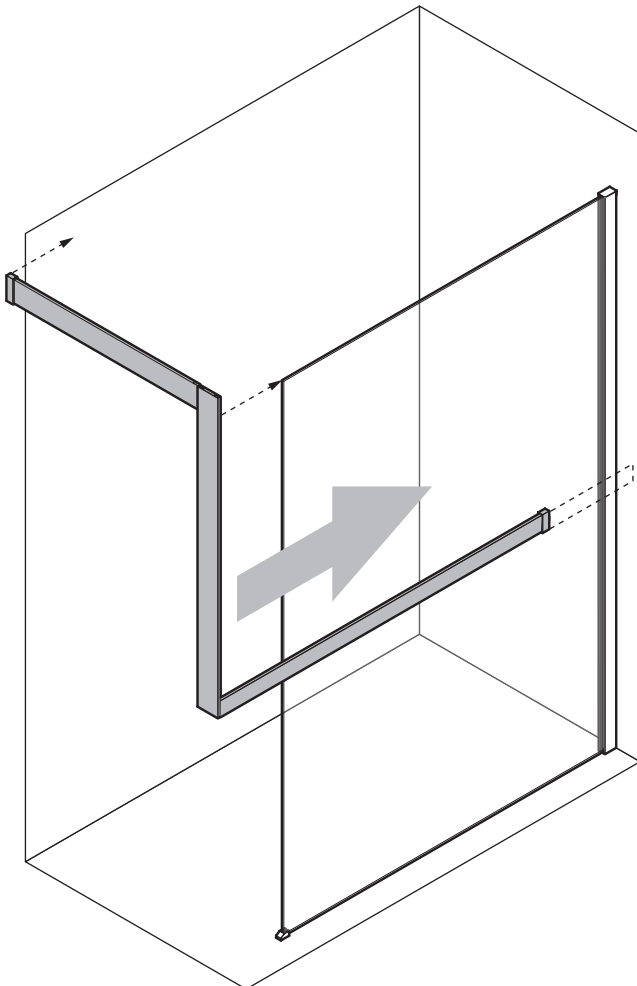
3,5x25 x2



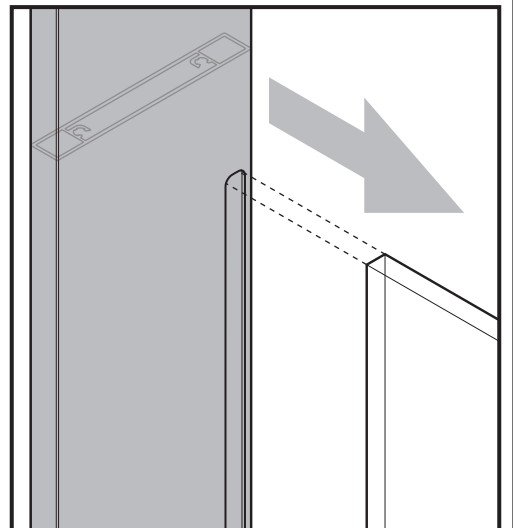
M4x25 x1

3,5x19 x2

4

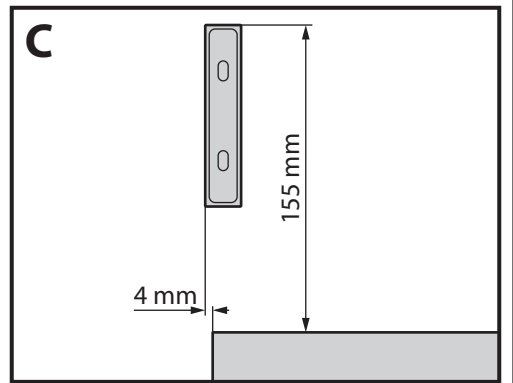
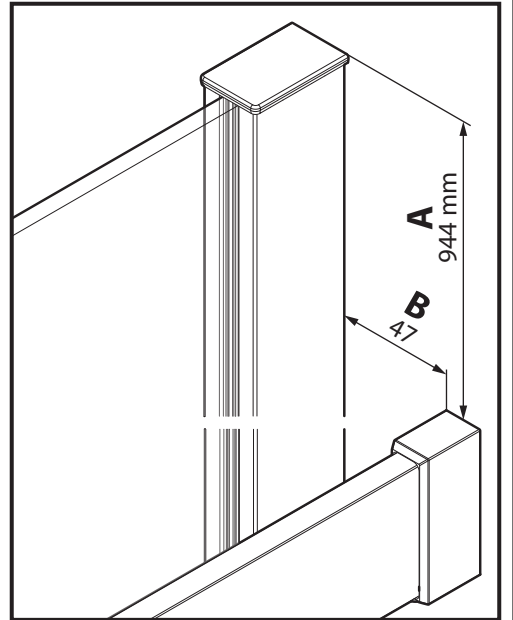
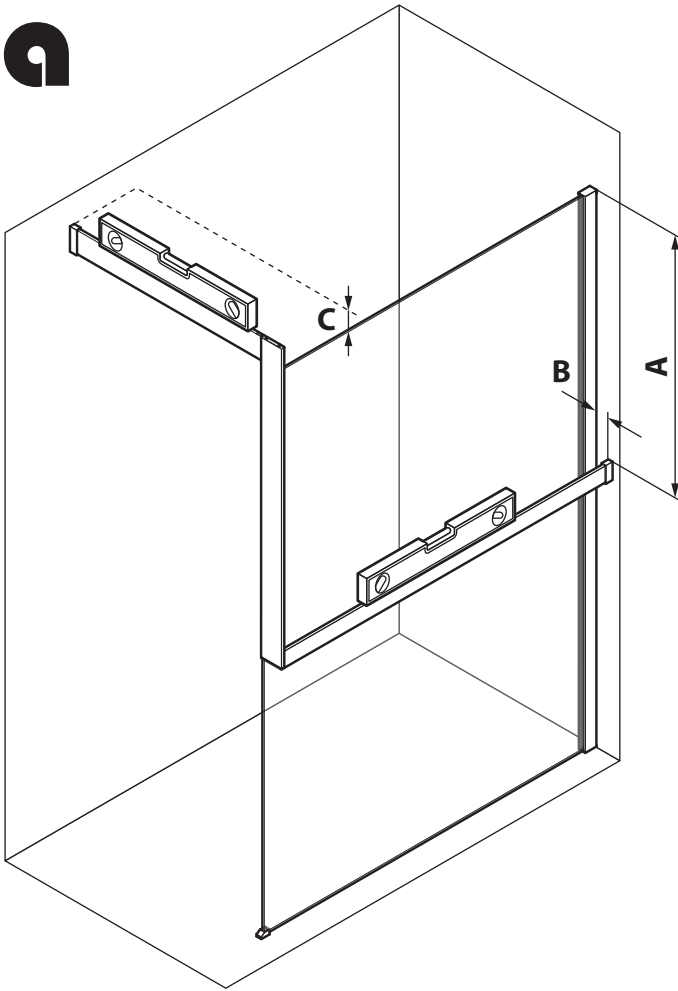


NO

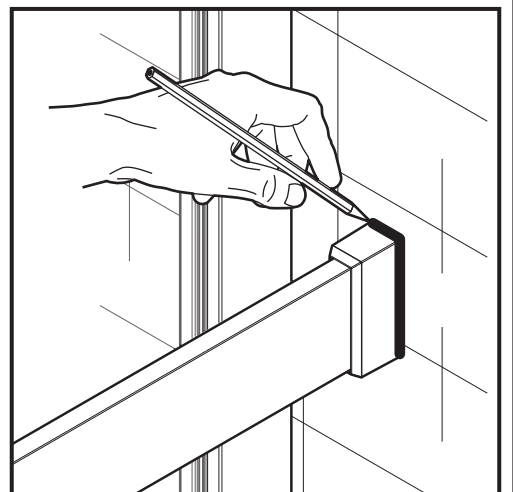
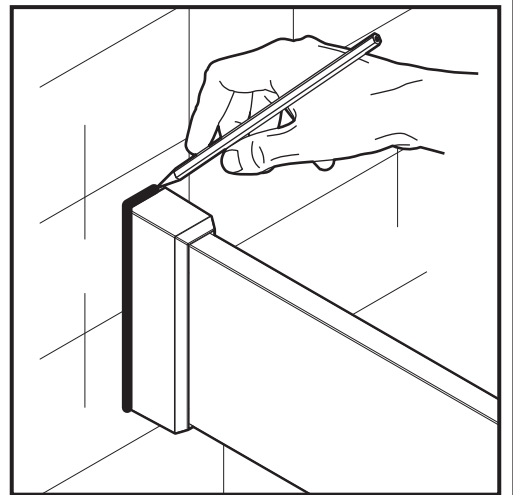
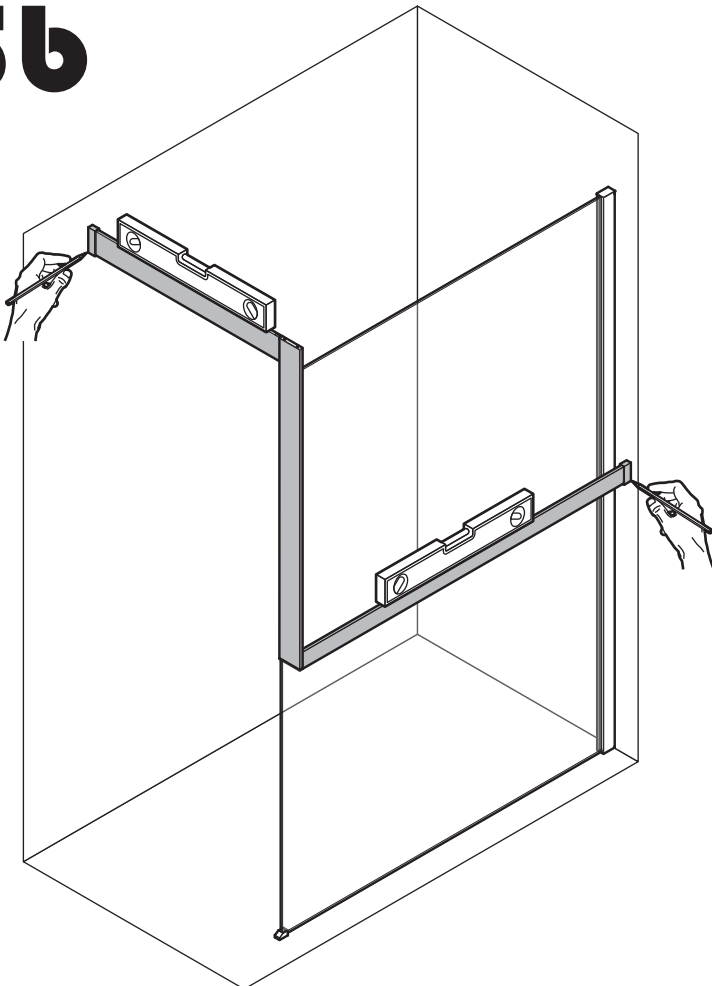


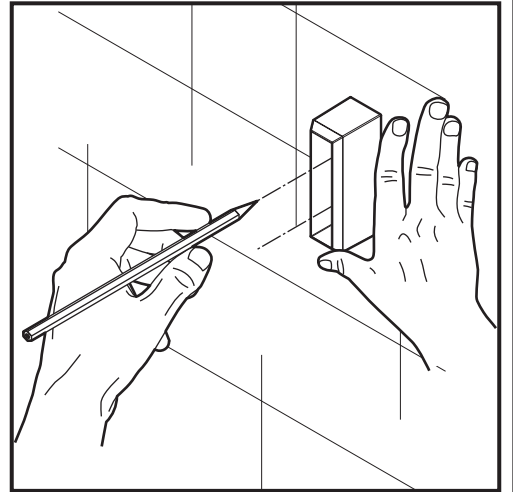
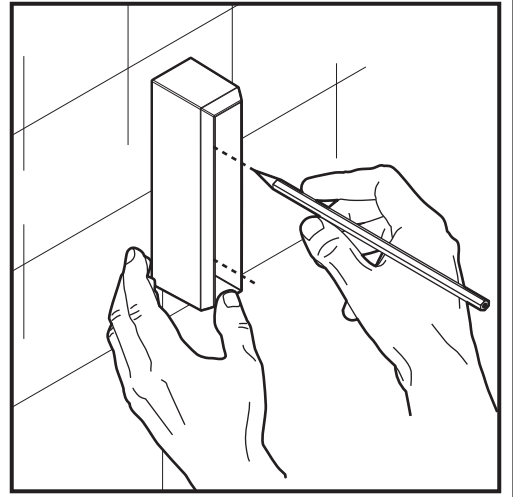
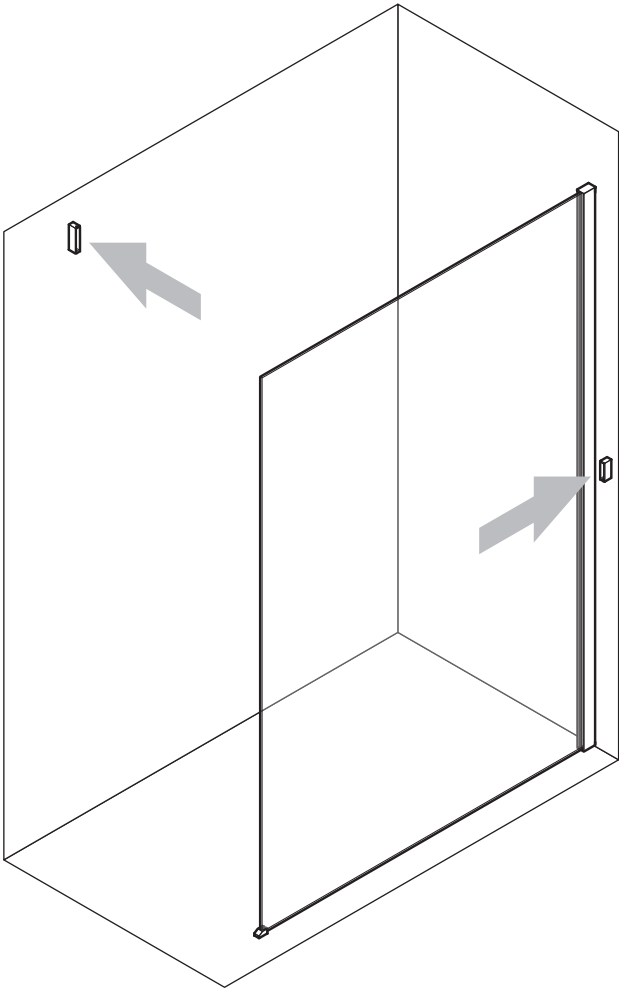
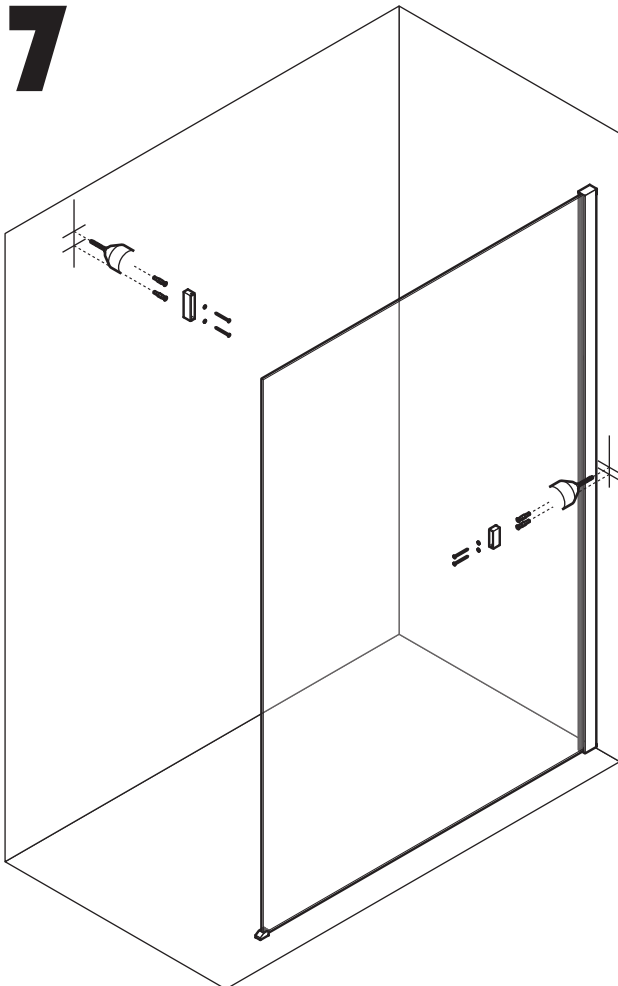
5

5a



5b

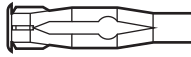


6**7**


ø8 mm




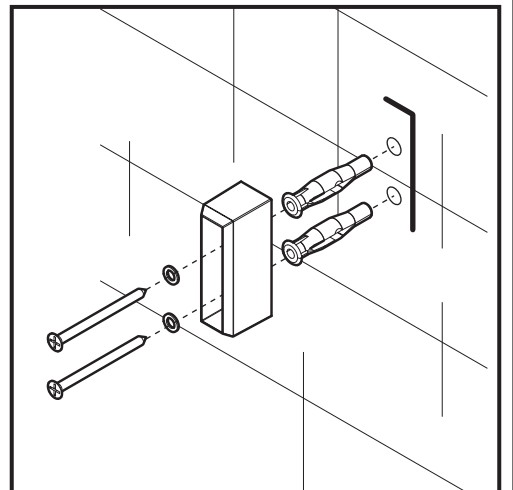
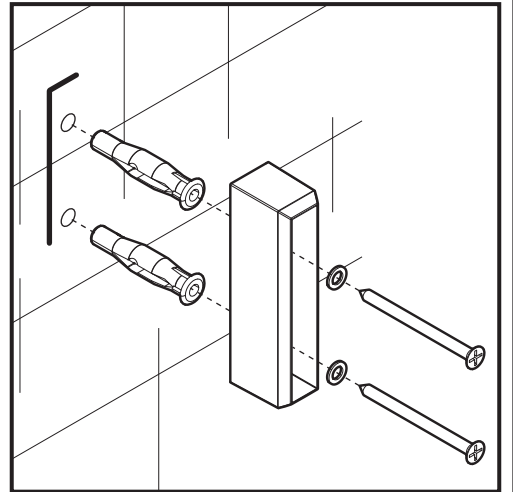
FU8x50 x4



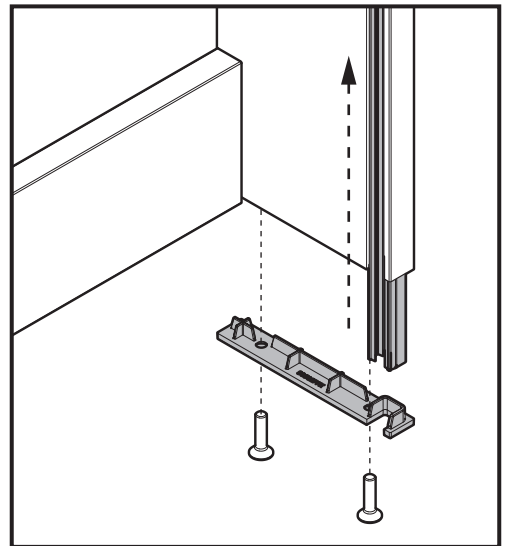
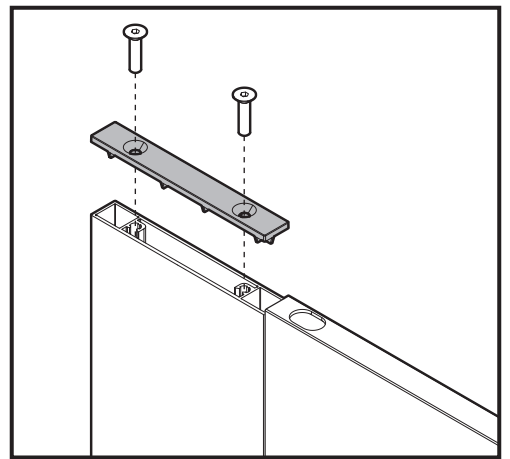
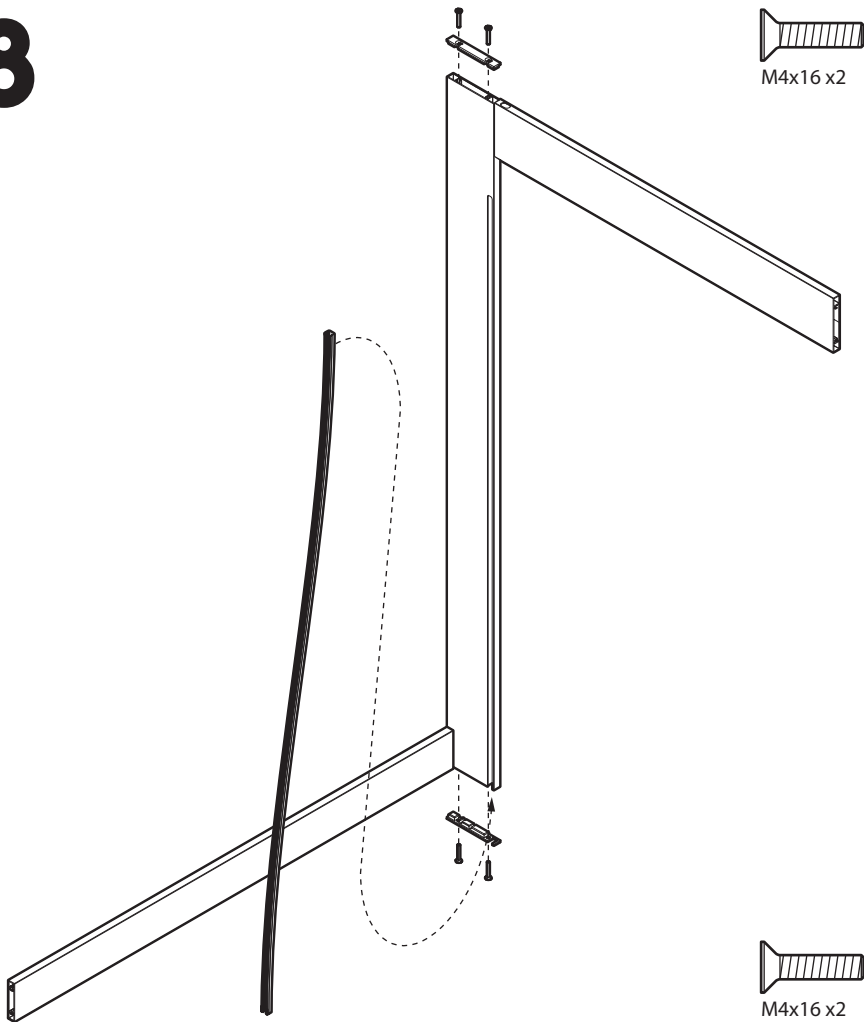
4,5x60 x4



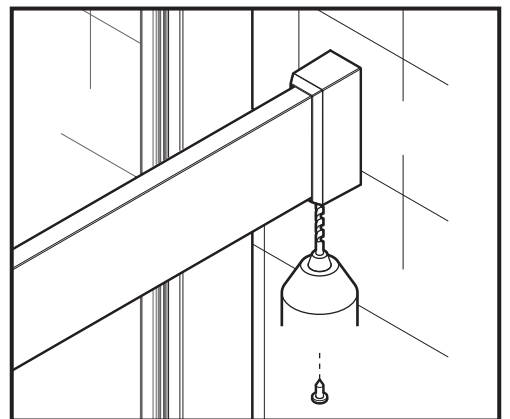
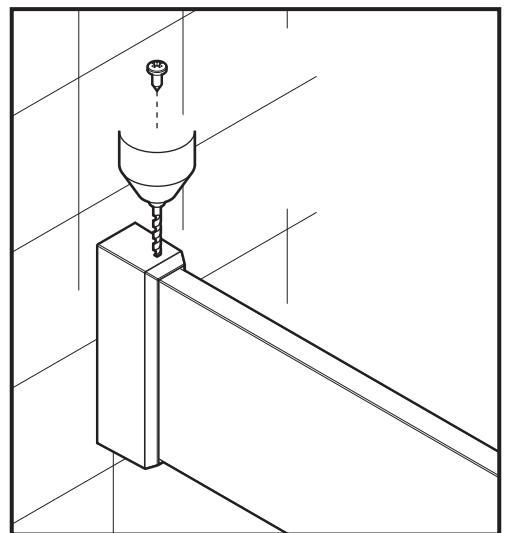
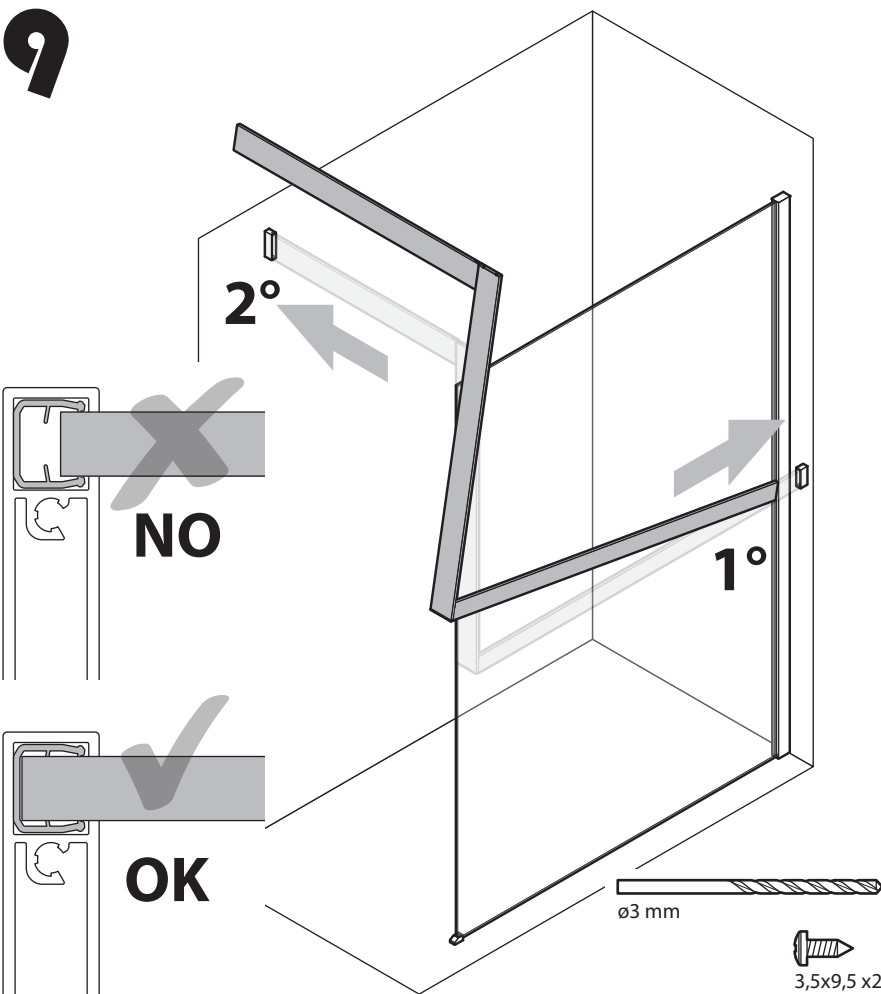
5,3x9,5x1 x4

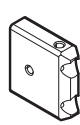
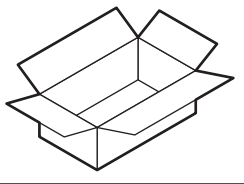
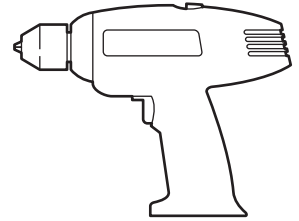
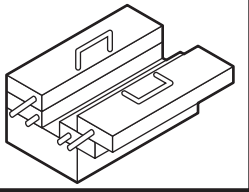

7

8

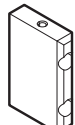


9

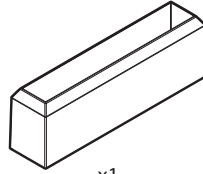




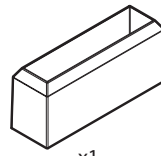
x1



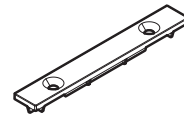
x1



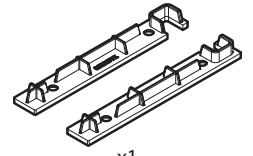
x1



x1



x1



x1



FU8x50 x4



3,5x19 x2



3,5x9,5 x2



M4x25 x1



4,5x60 x4



M4x16 x4



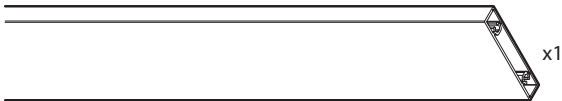
5,3x9,5x1 x4



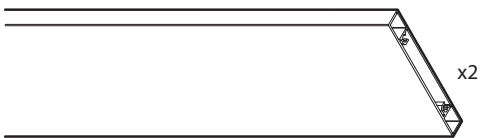
3,5x25 x2



M4x8 x1



x1

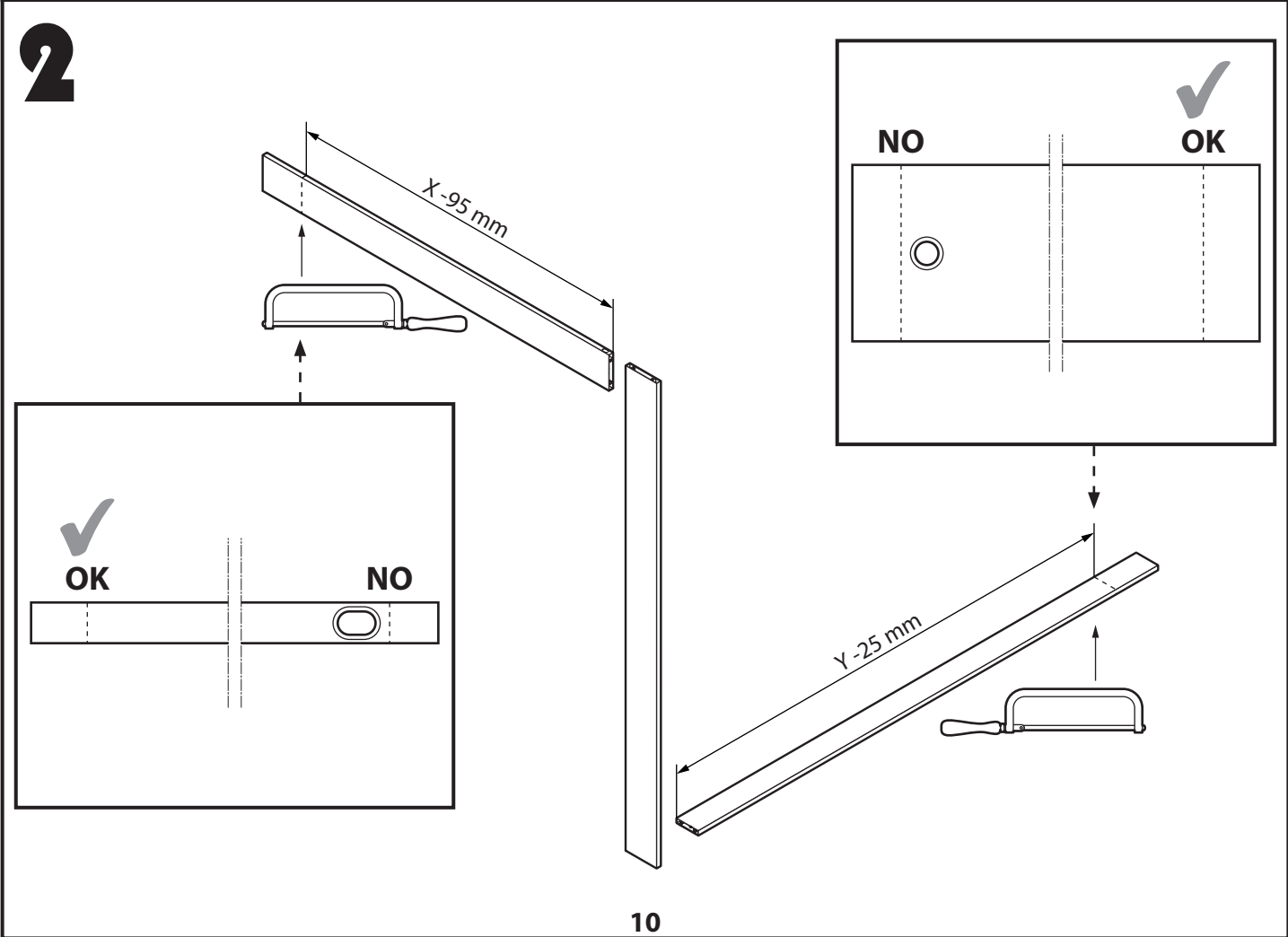
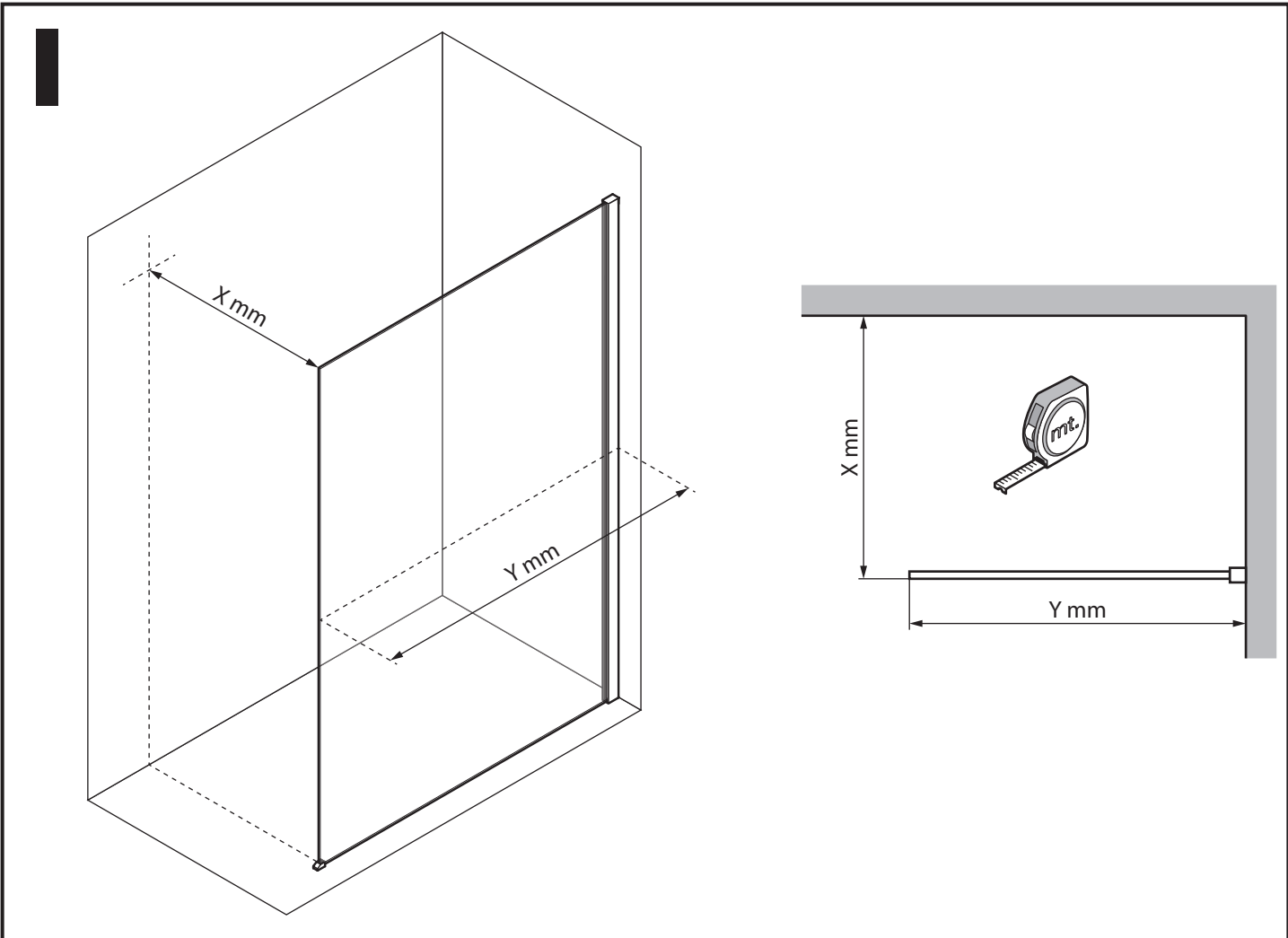


x2

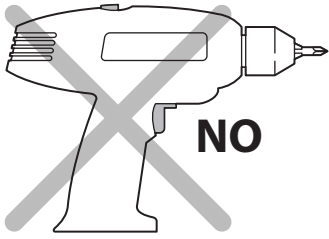


x1

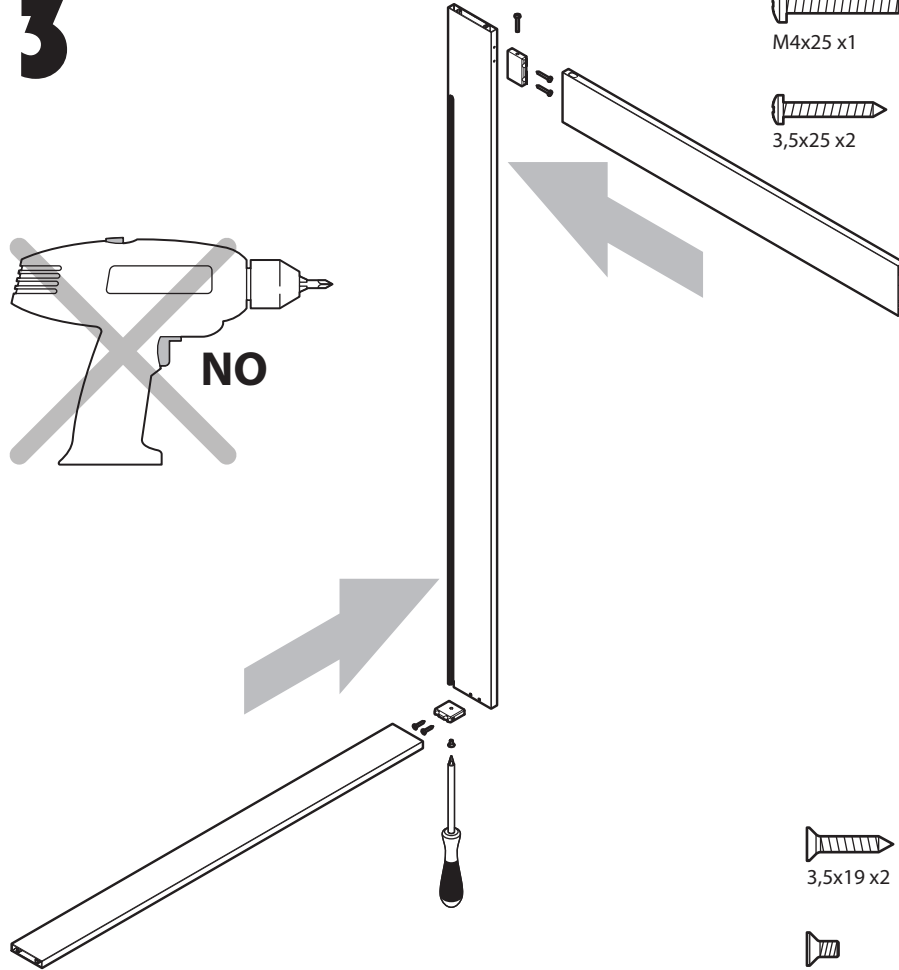





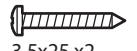
3

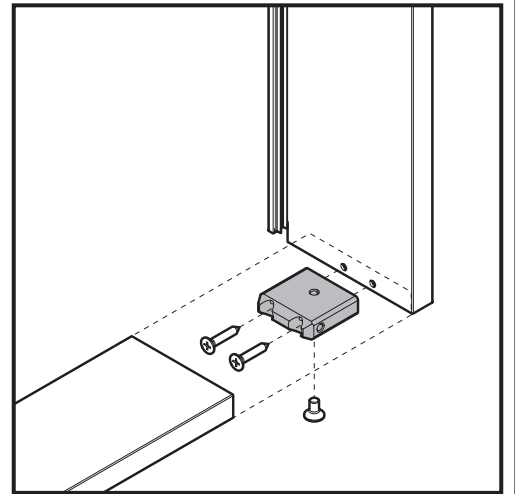
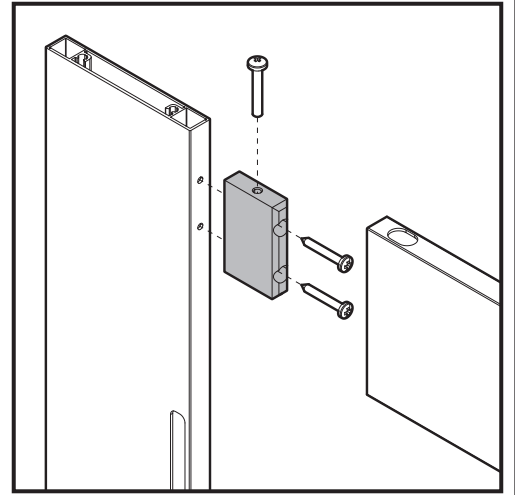


NO



 M4x25 x1

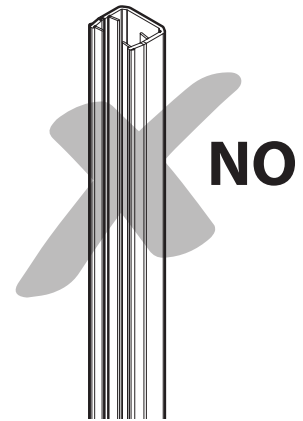
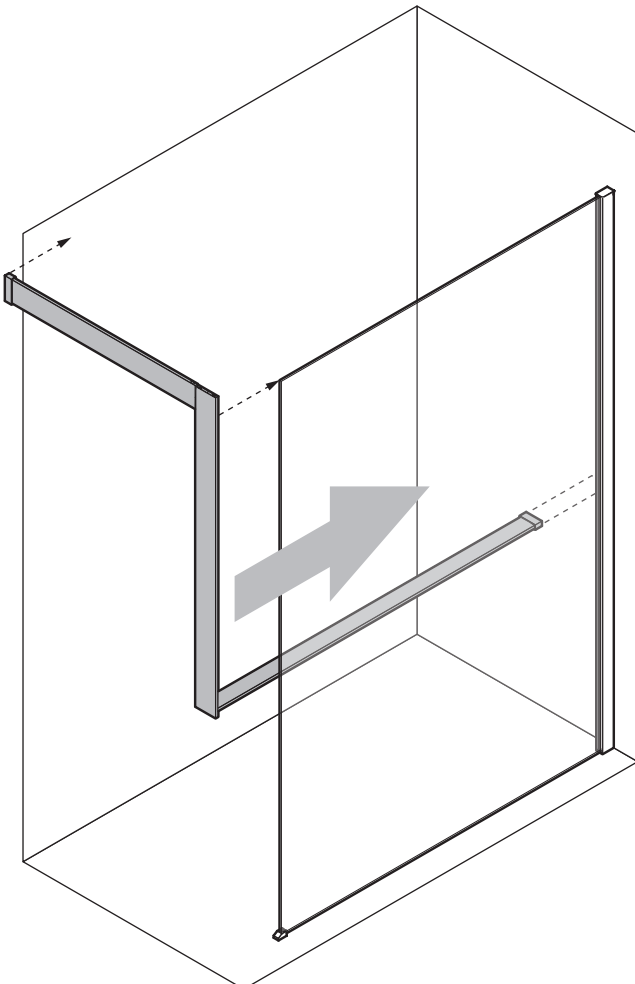
 3,5x25 x2



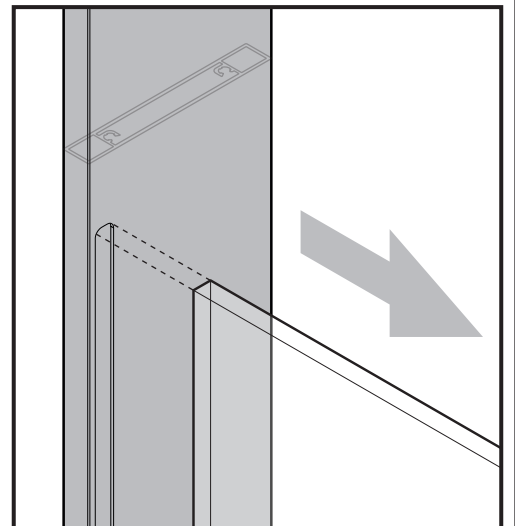
 3,5x19 x2

 M4x8 x1

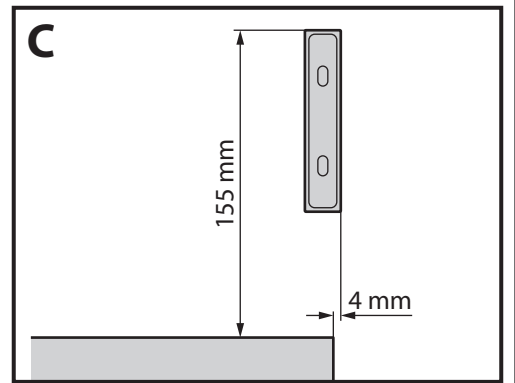
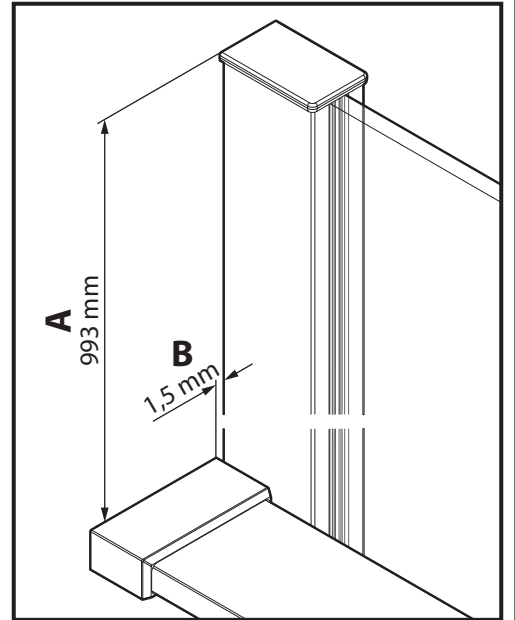
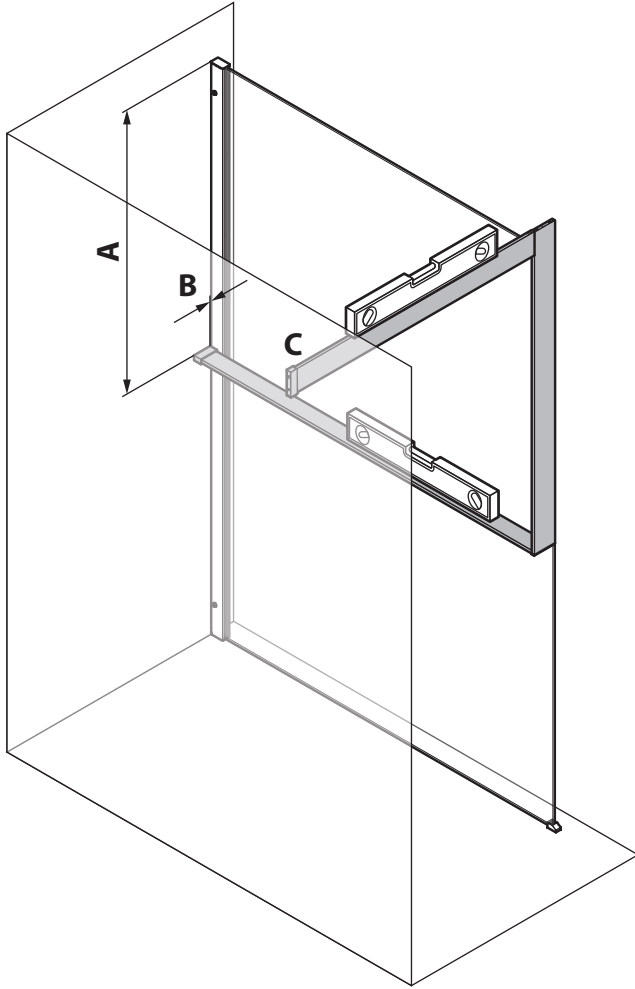
4



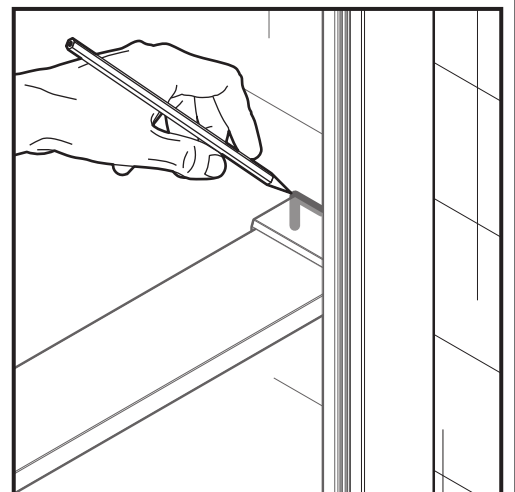
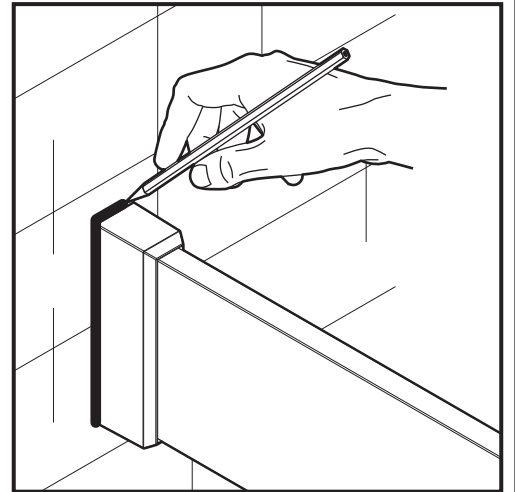
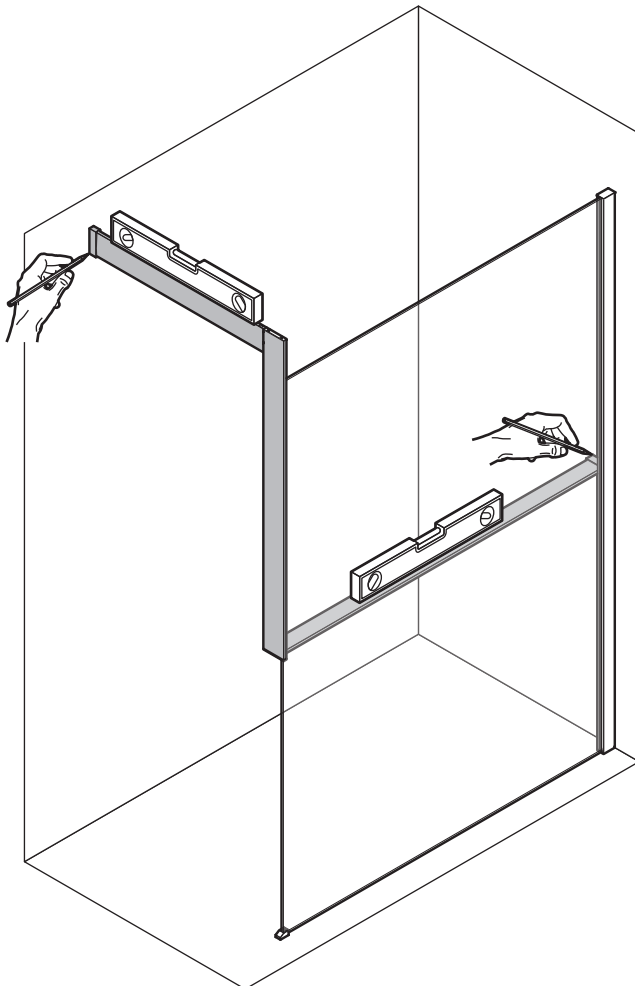
NO

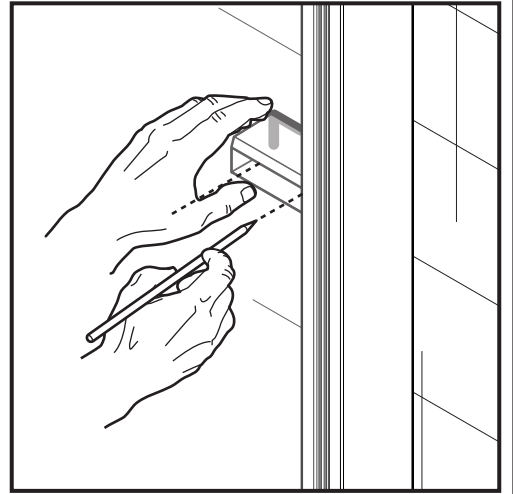
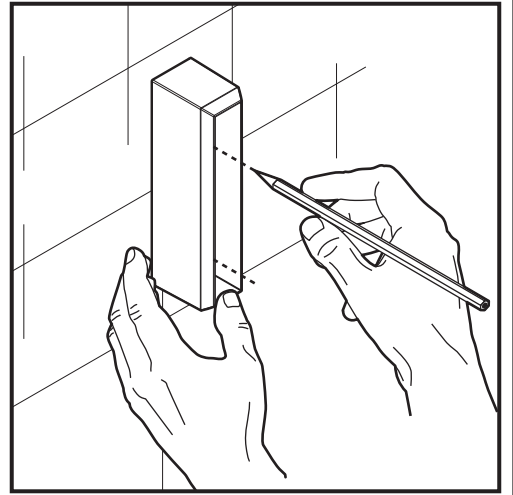
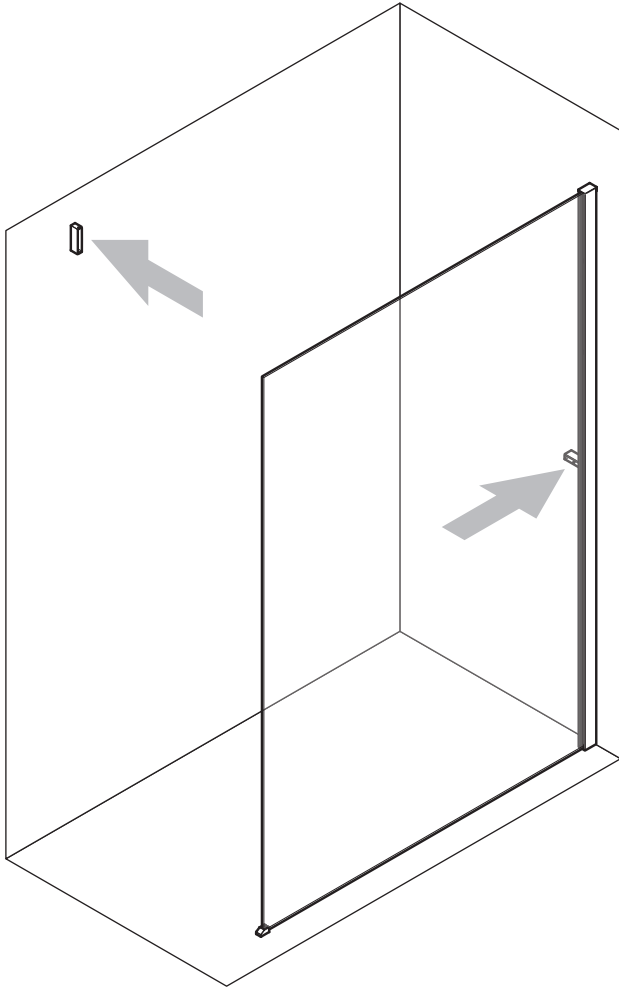
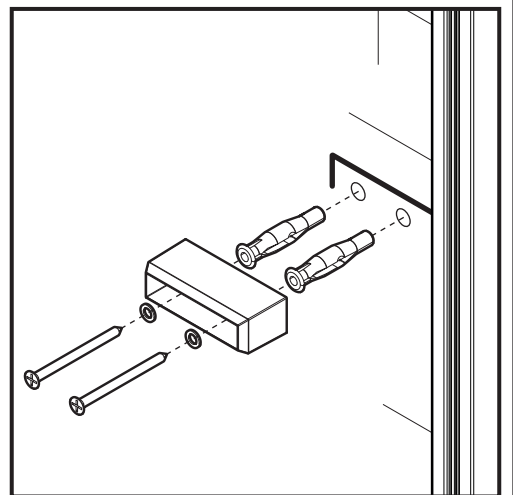
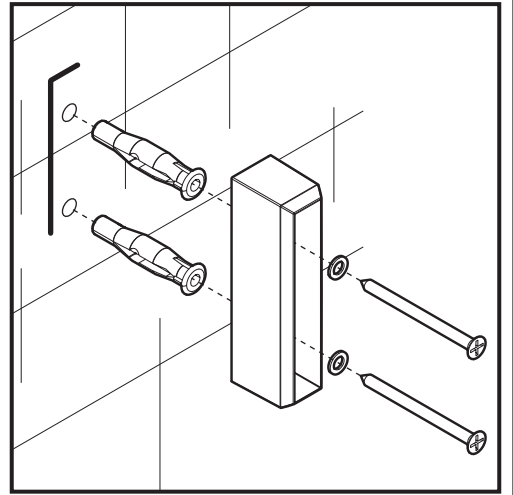
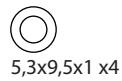
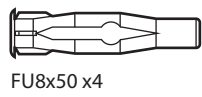
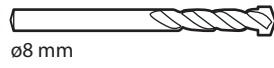
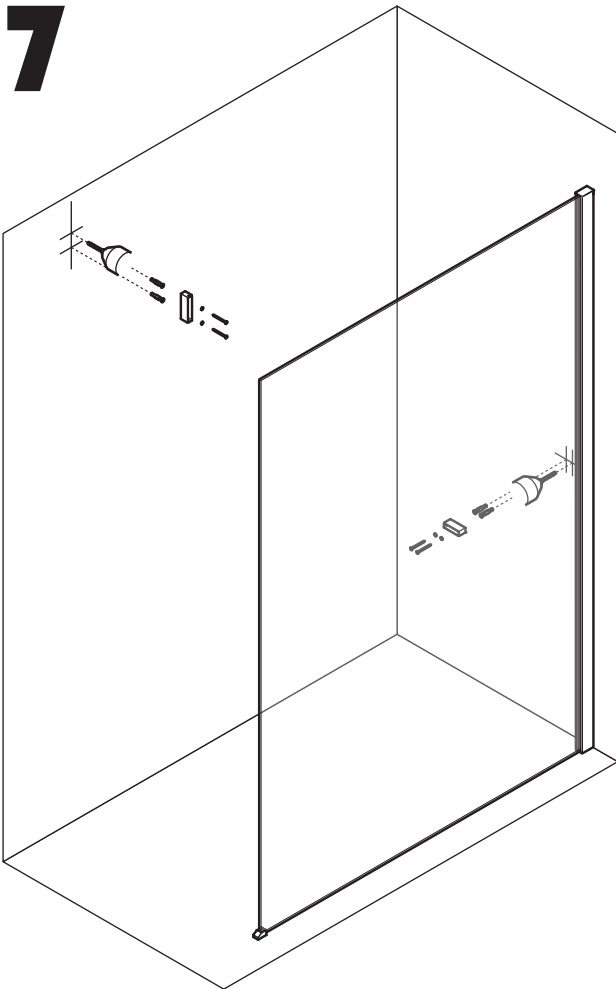


5a

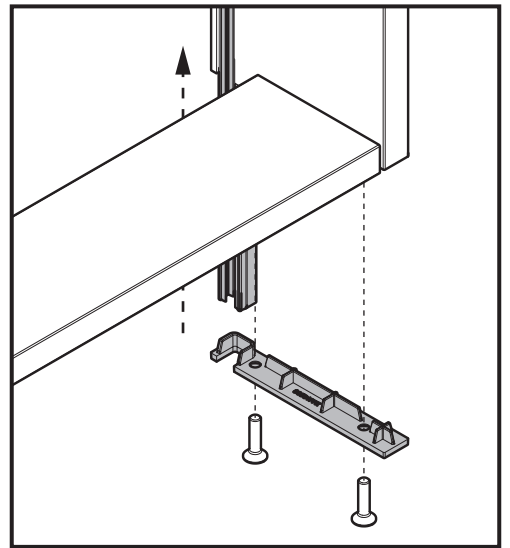
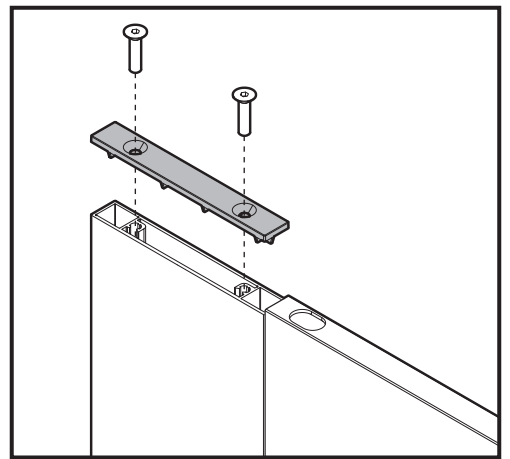
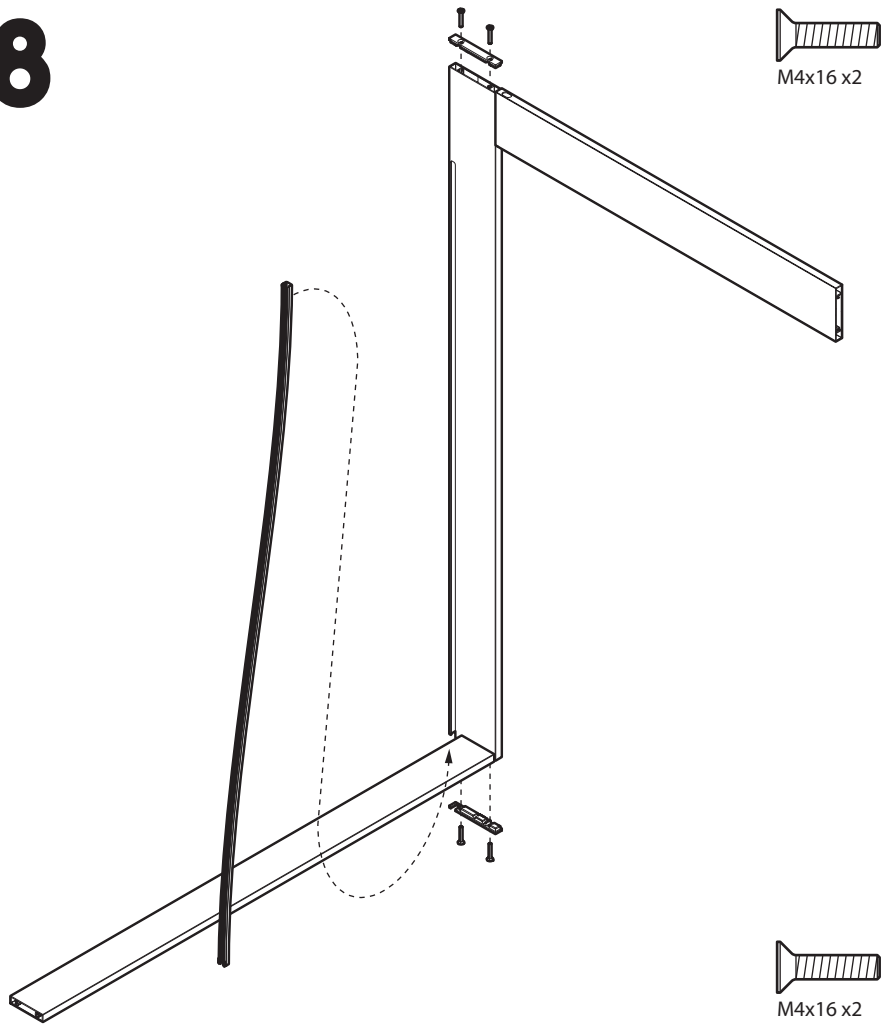


5b



6**7**

8



9

