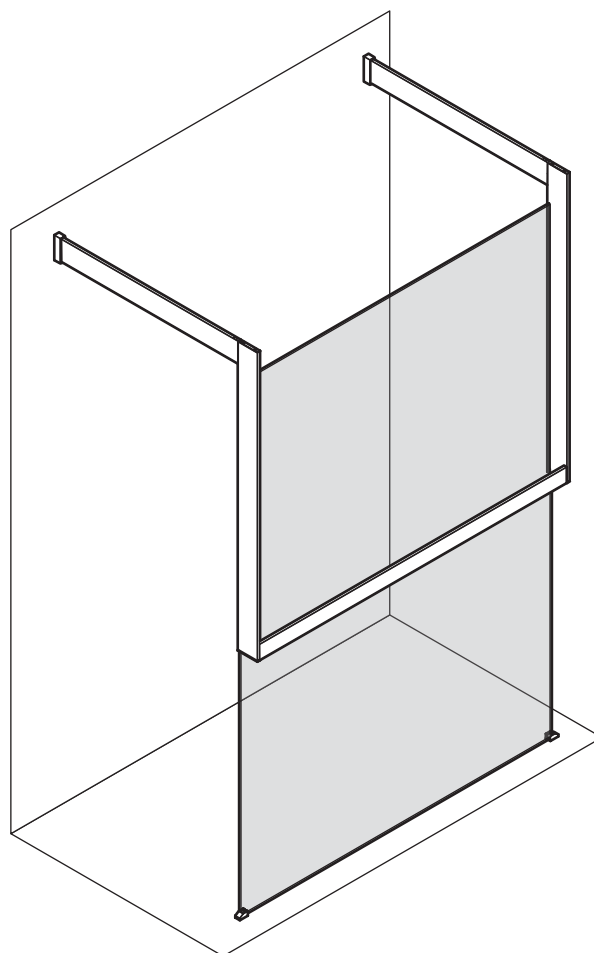
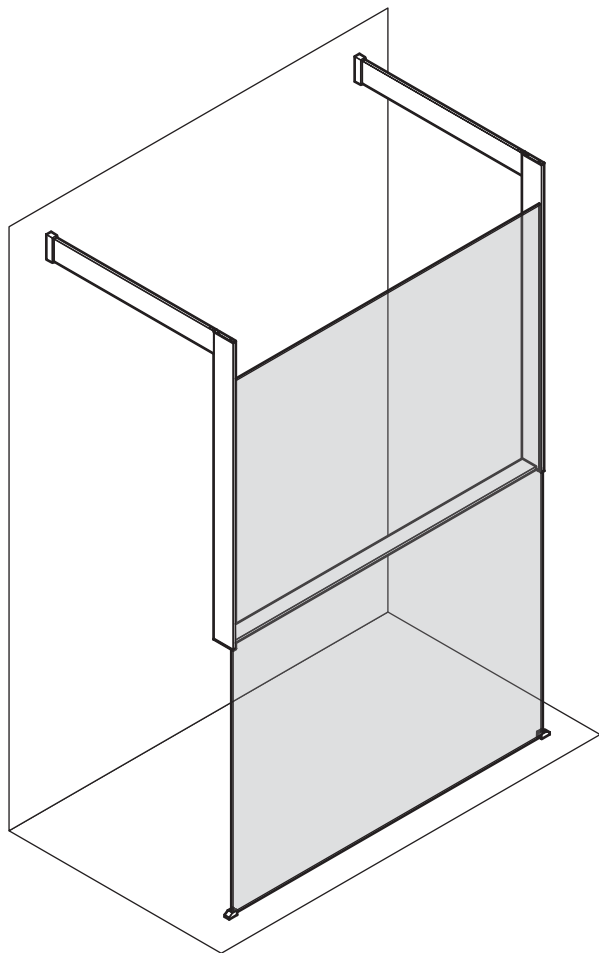


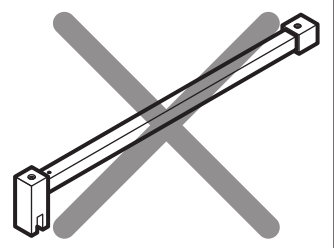
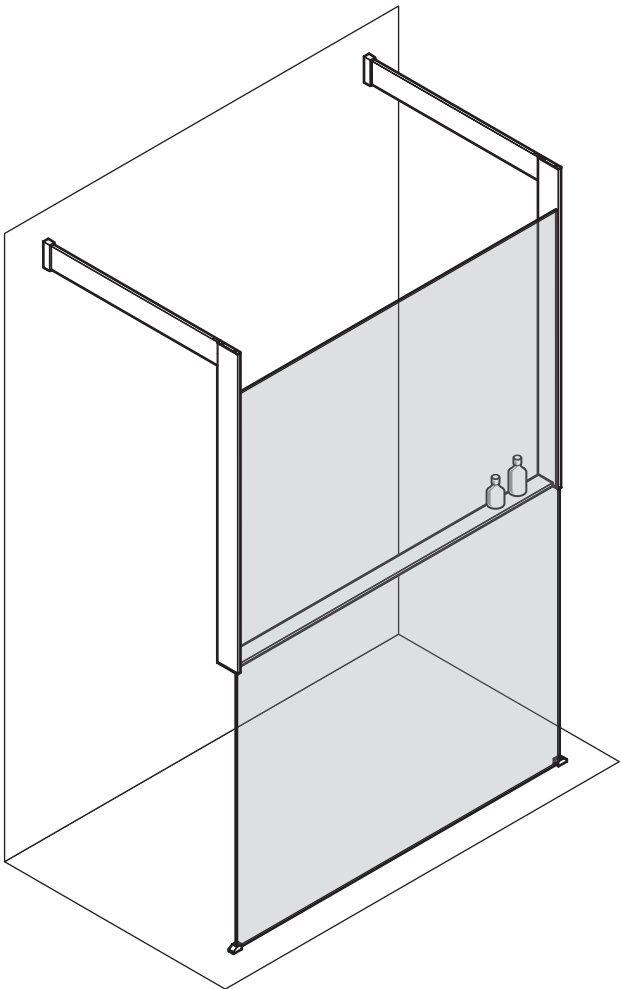
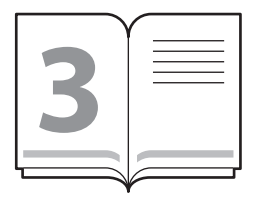
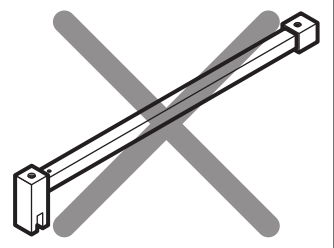
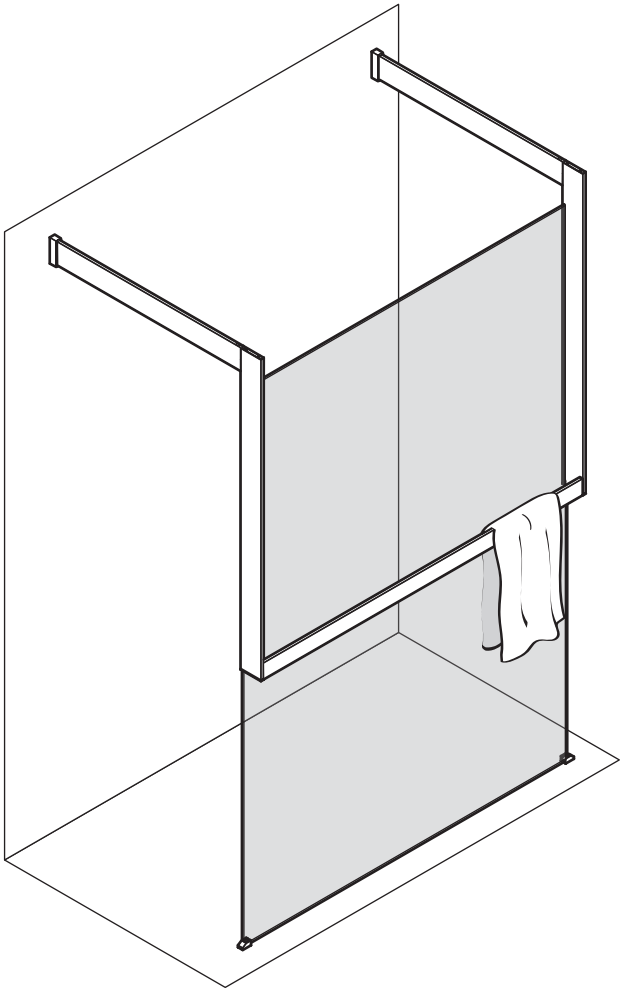
FRAME

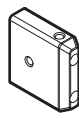
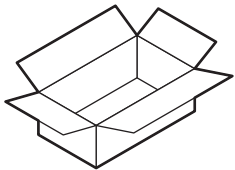
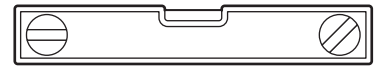
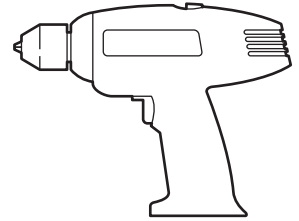
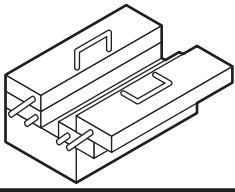
 **NOVELLINI**

HF

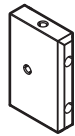


<hr/> <hr/> <hr/> <hr/>	<hr/> <hr/> <hr/> <hr/>
-------------------------	-------------------------

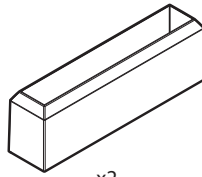




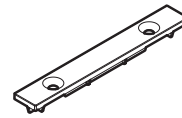
x2



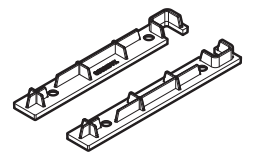
x2



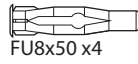
x2



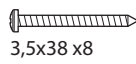
x2



x1



FU8x50 x4



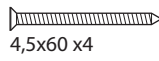
3,5x38 x8



3,5x9,5 x2



M4x14 x2



4,5x60 x4



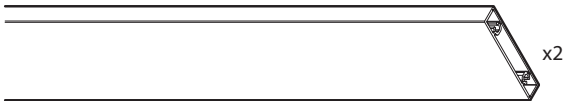
M4x16 x8



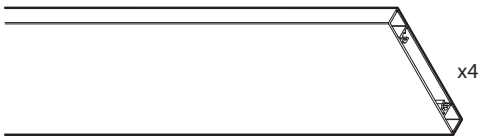
5,3x9,5x1 x4



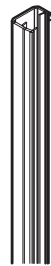
M4x18 x2



x2

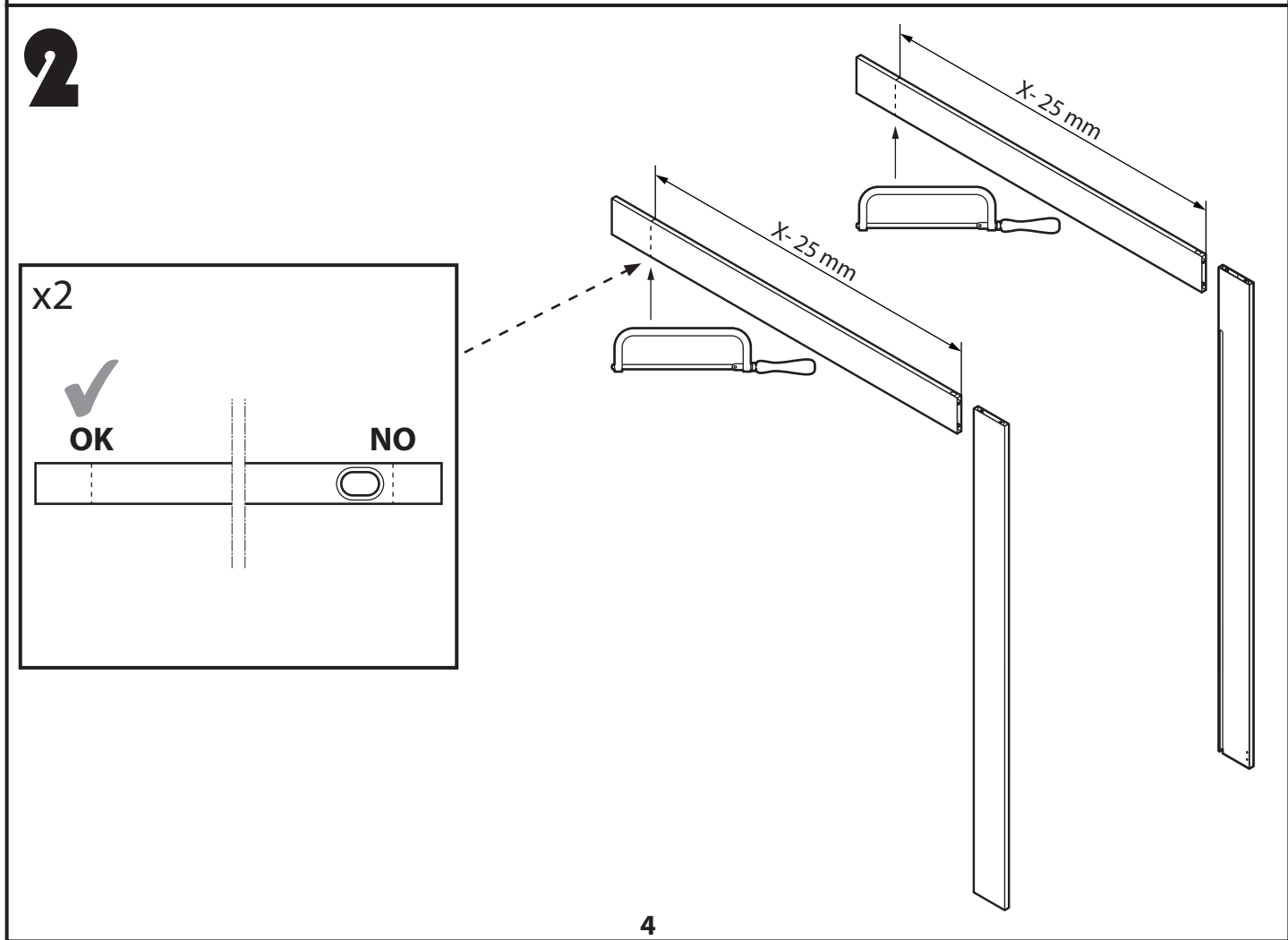
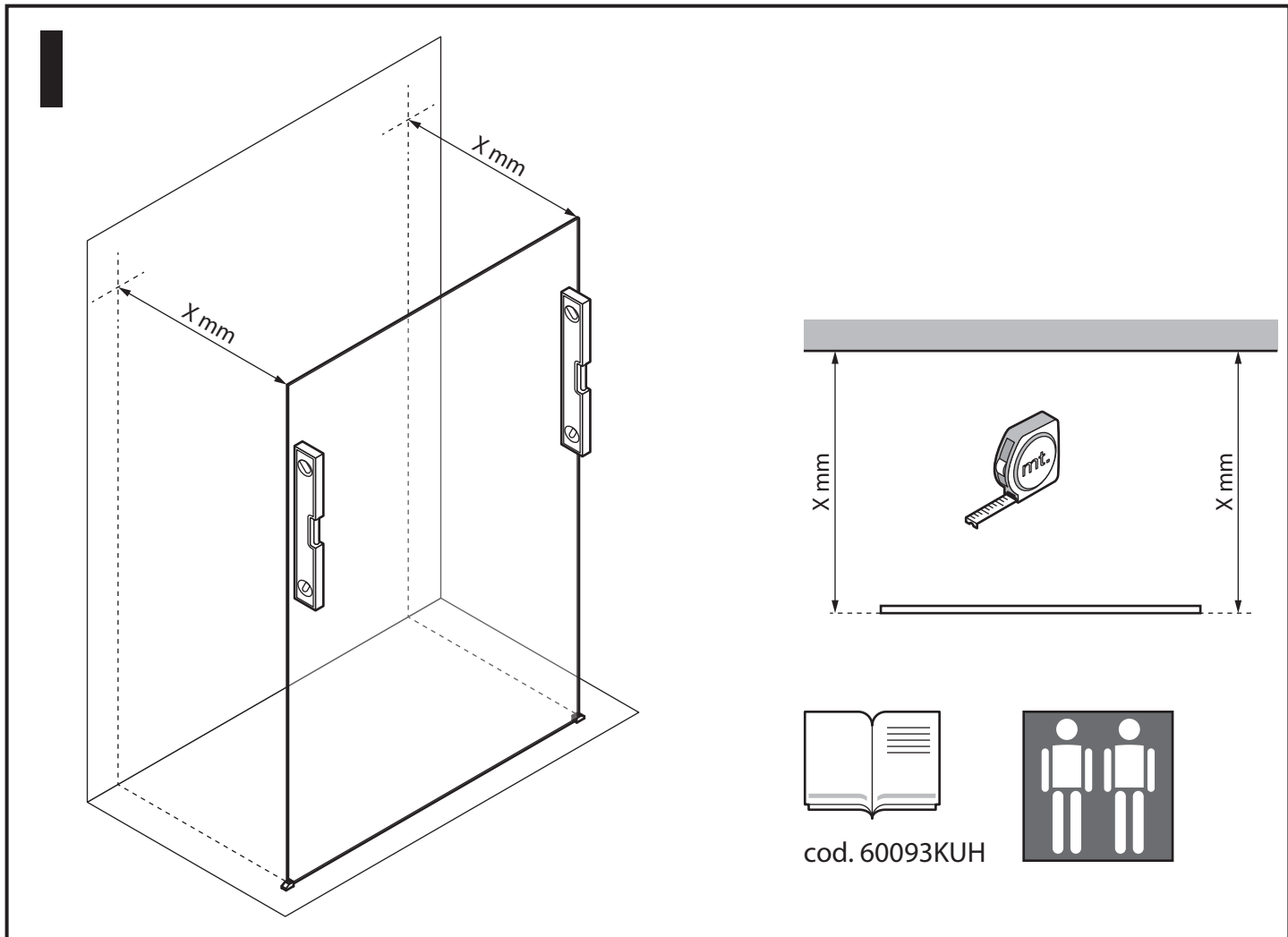


x4

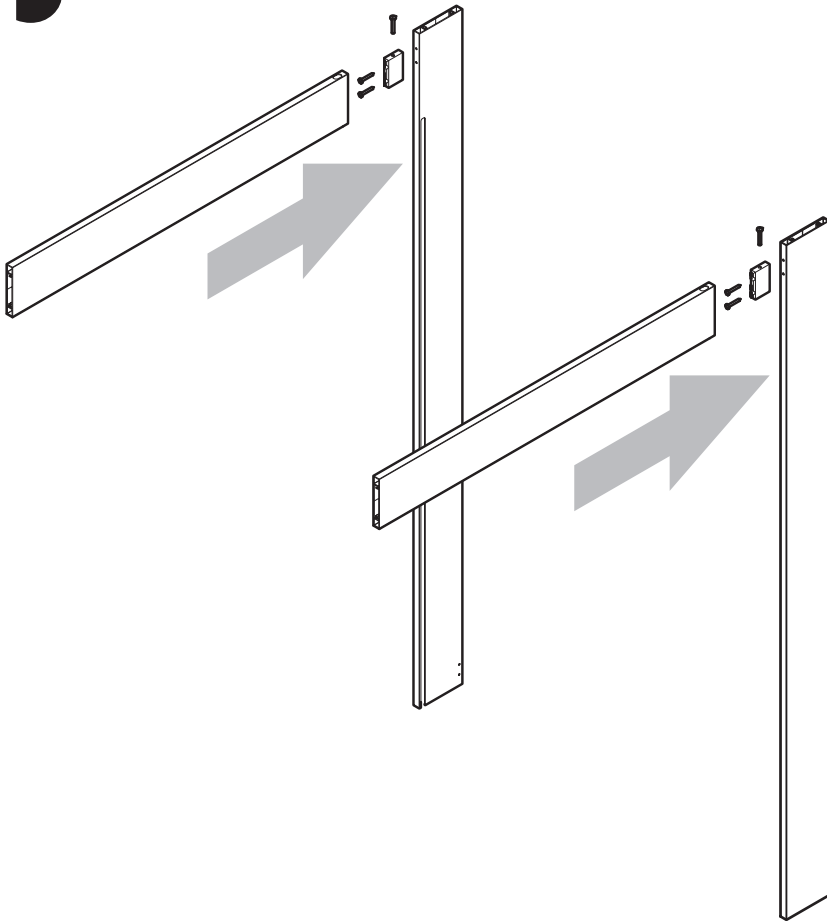


x2

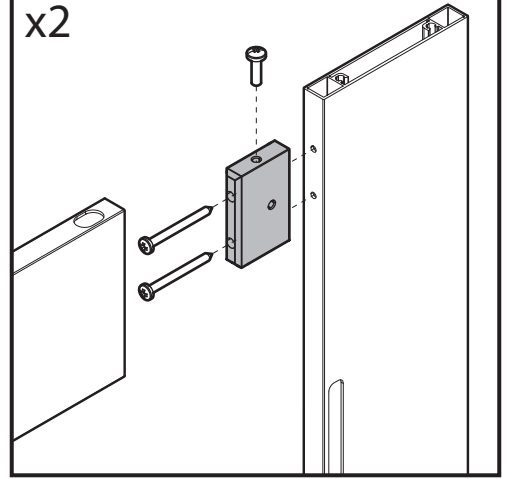






3

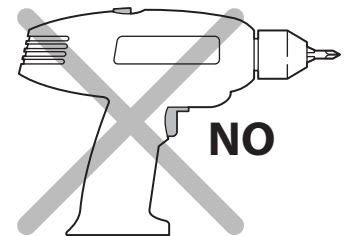


x2

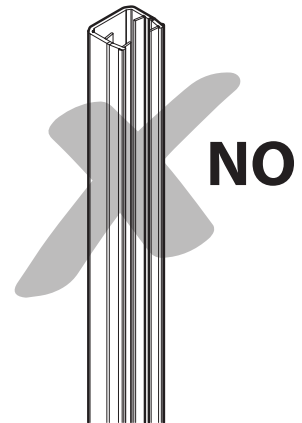
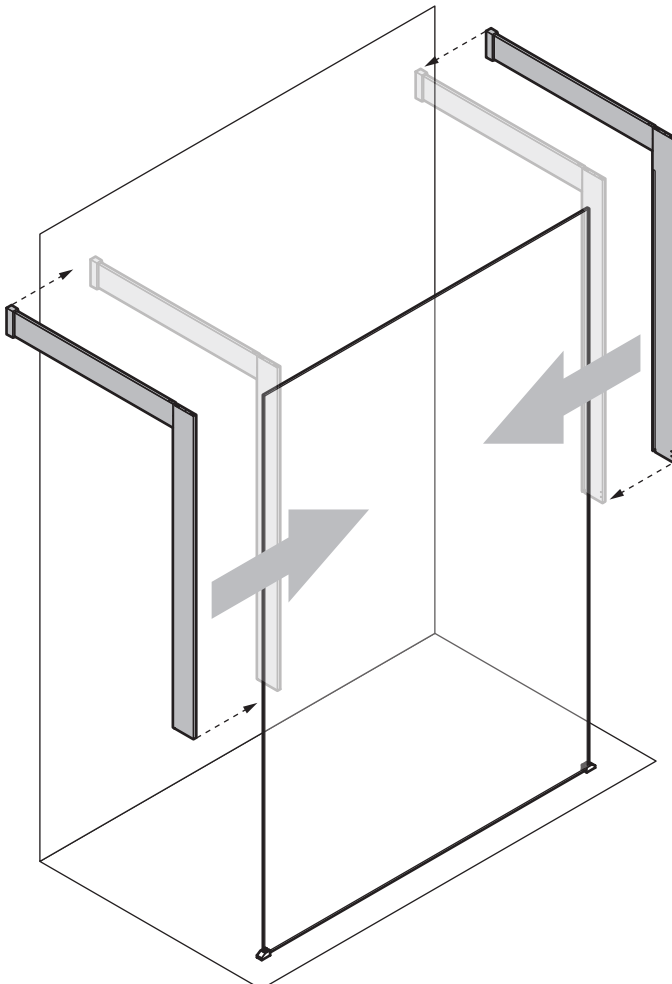



M4x14 x2

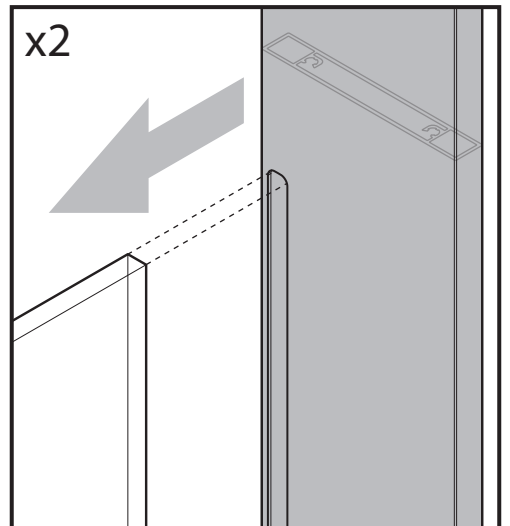

3,5x38 x4



4

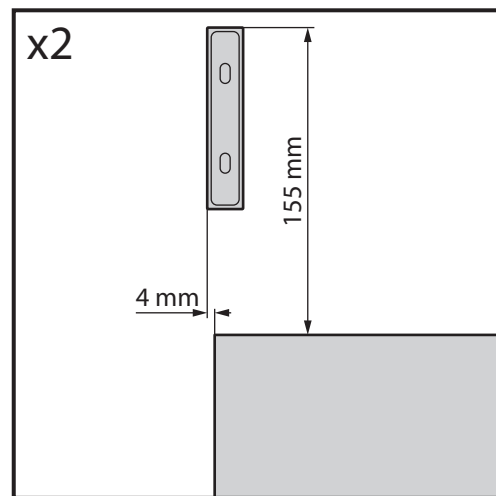
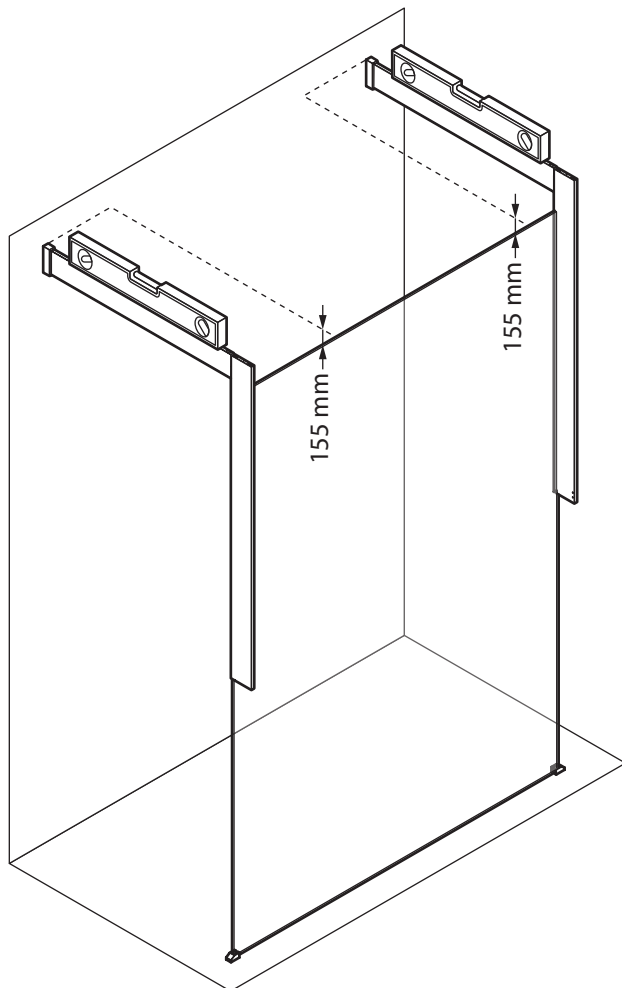


x2

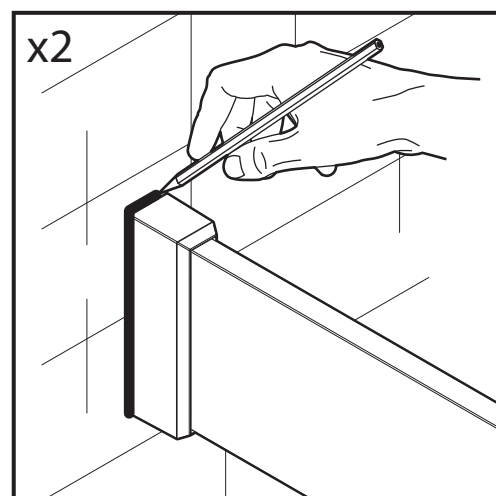
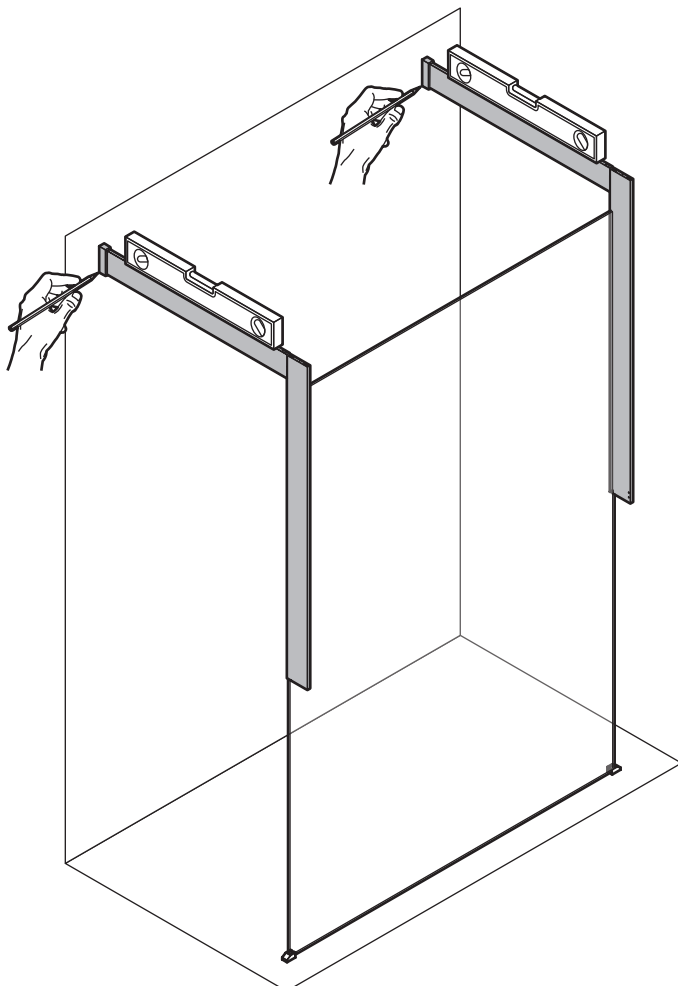


5

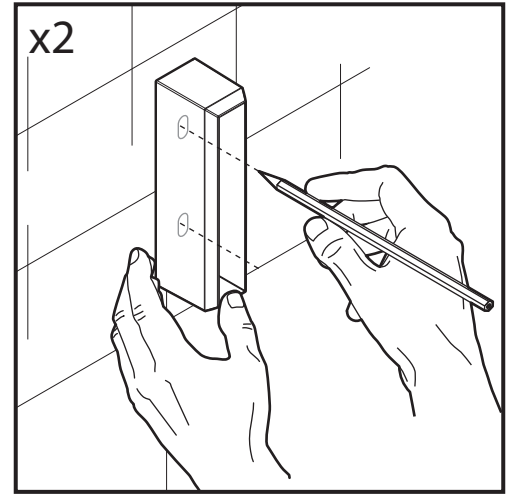
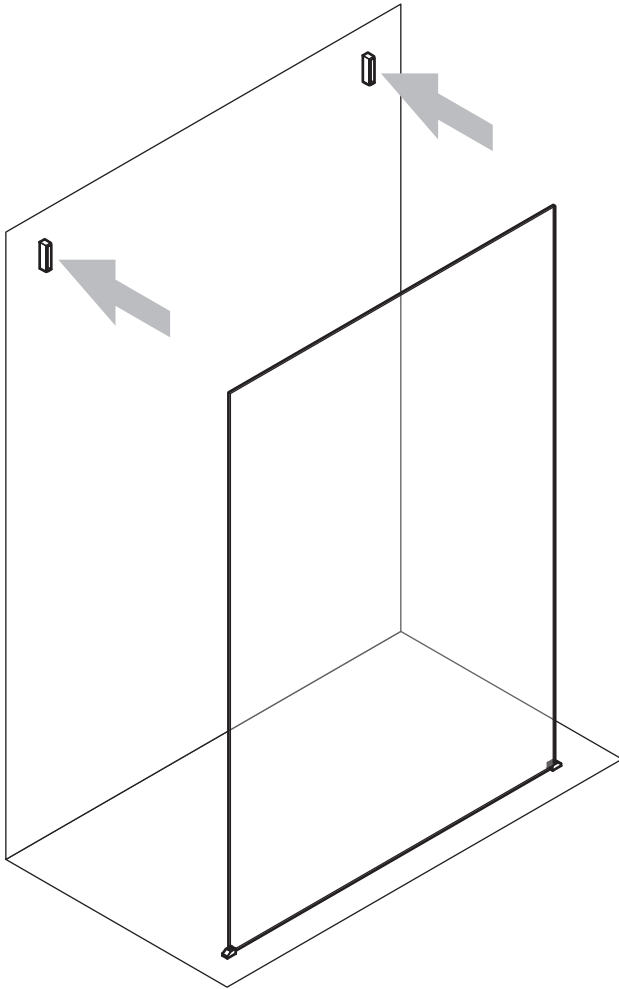
5



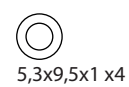
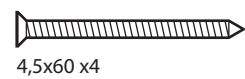
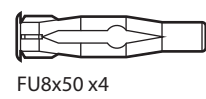
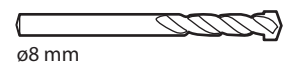
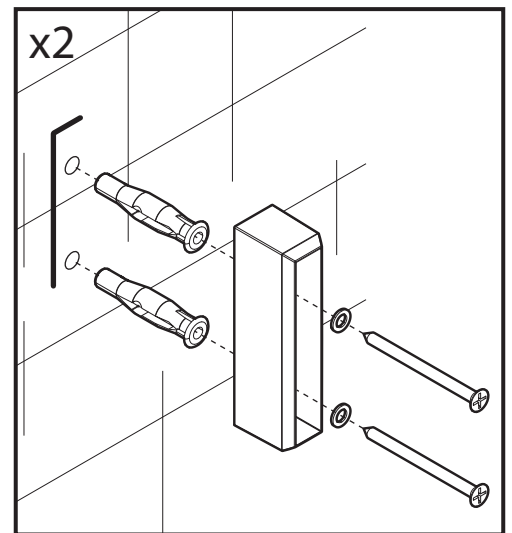
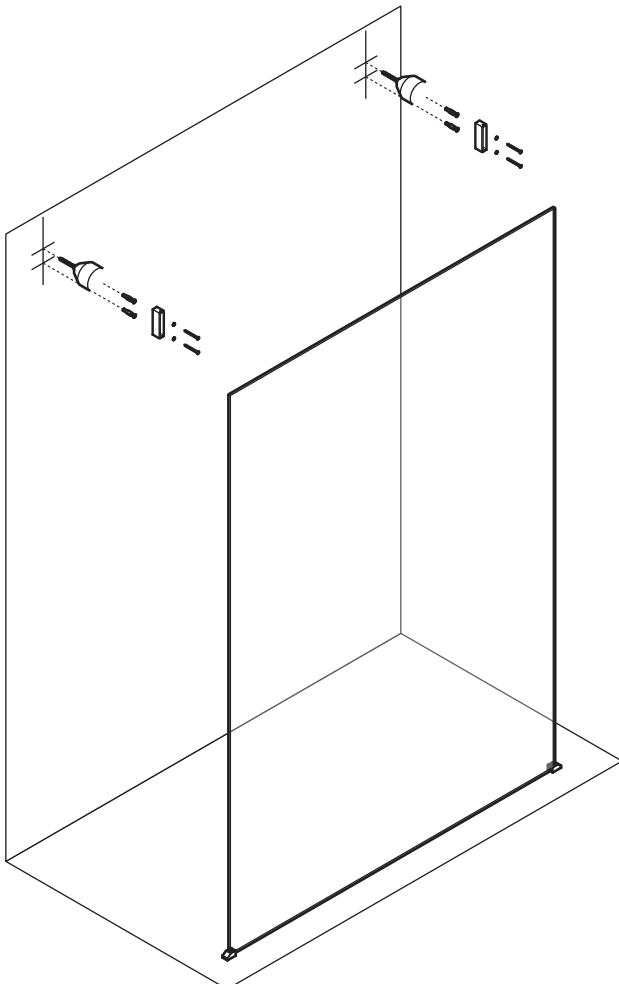
6



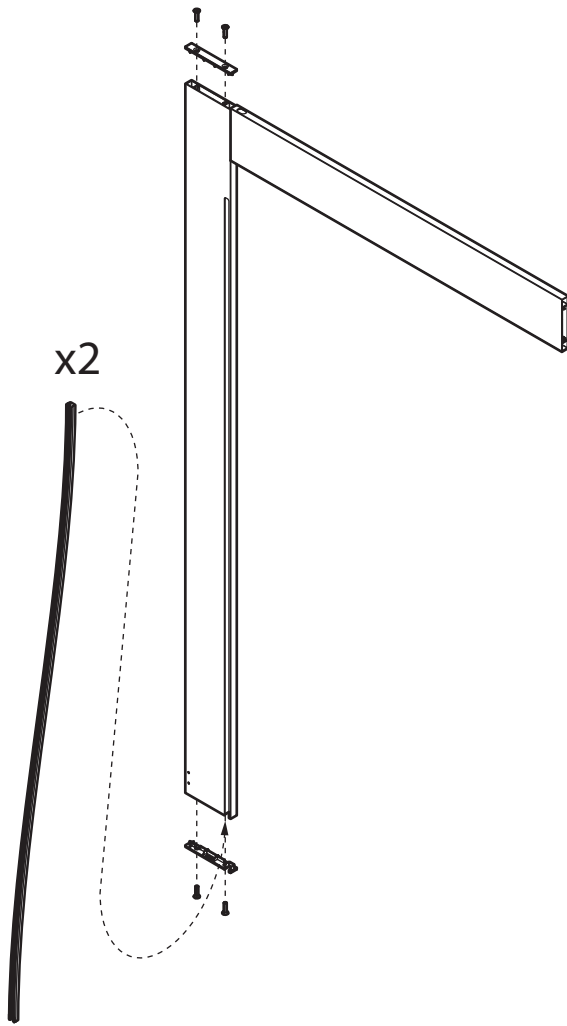
7



8

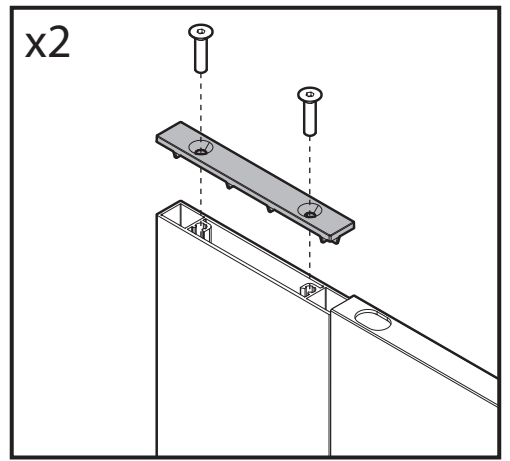


9

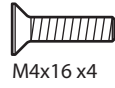
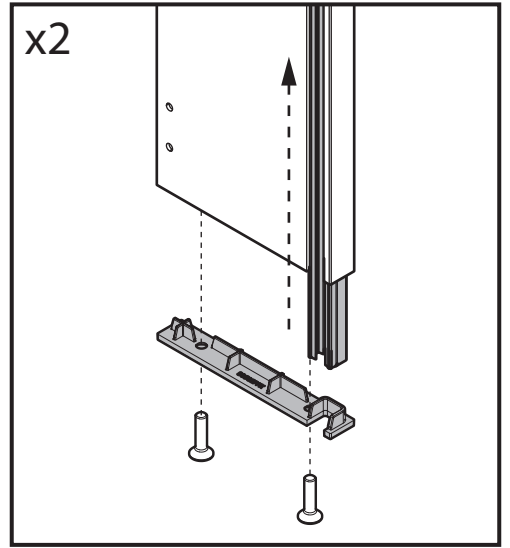


M4x16 x4

x2

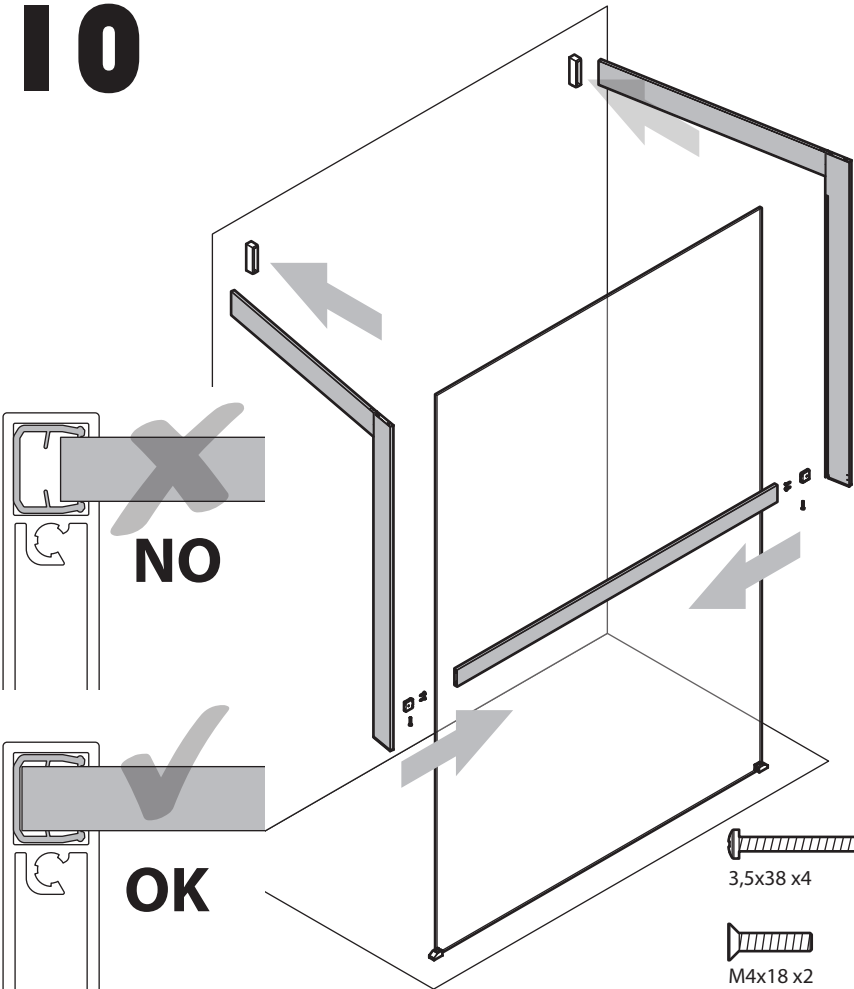


x2



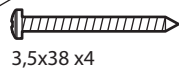
M4x16 x4

10



NO

OK

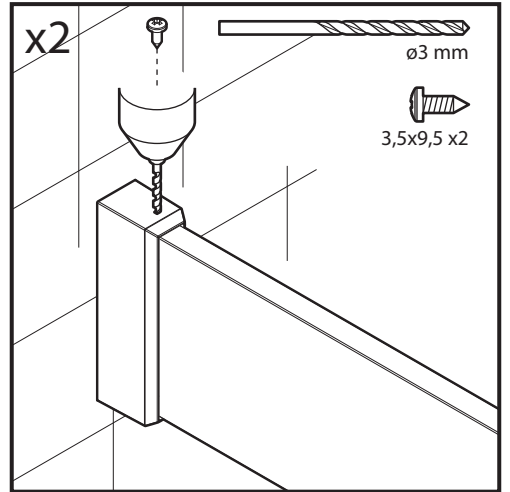


3,5x38 x4



M4x18 x2

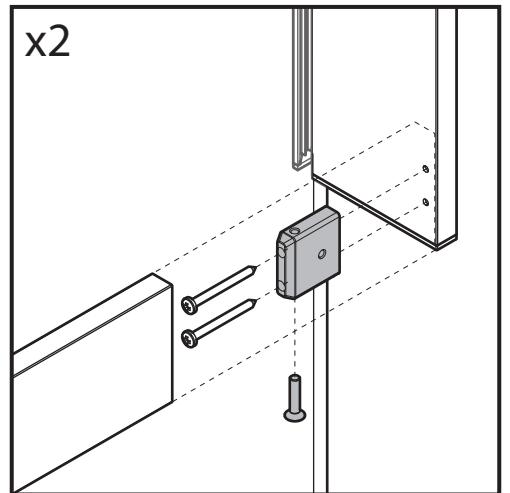
x2

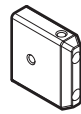
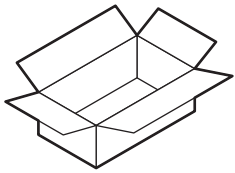
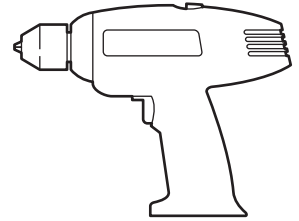
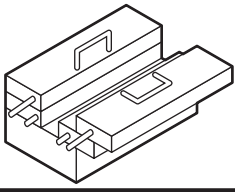


ø3 mm

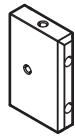
3,5x9,5 x2

x2

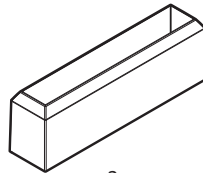




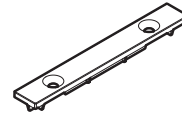
x2



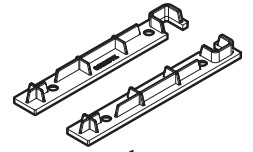
x2



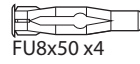
x2



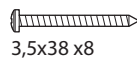
x2



x1



FU8x50 x4



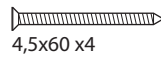
3,5x38 x8



3,5x9,5 x2



M4x14 x2



4,5x60 x4



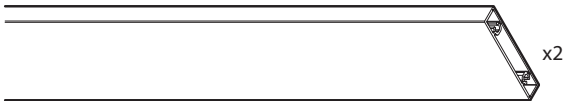
M4x16 x8



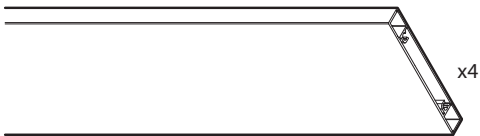
5,3x9,5x1 x4



M4x8 x2



x2

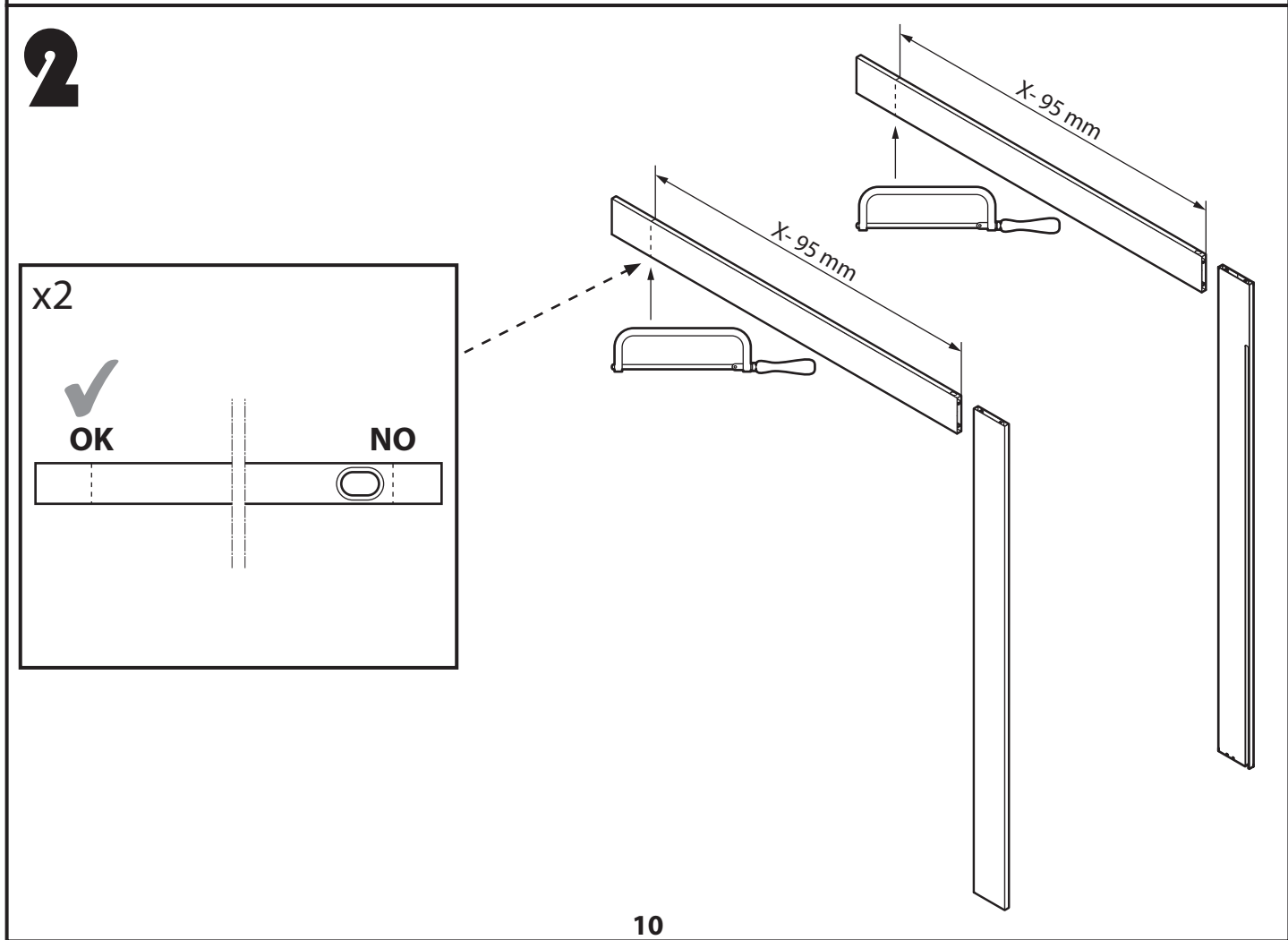
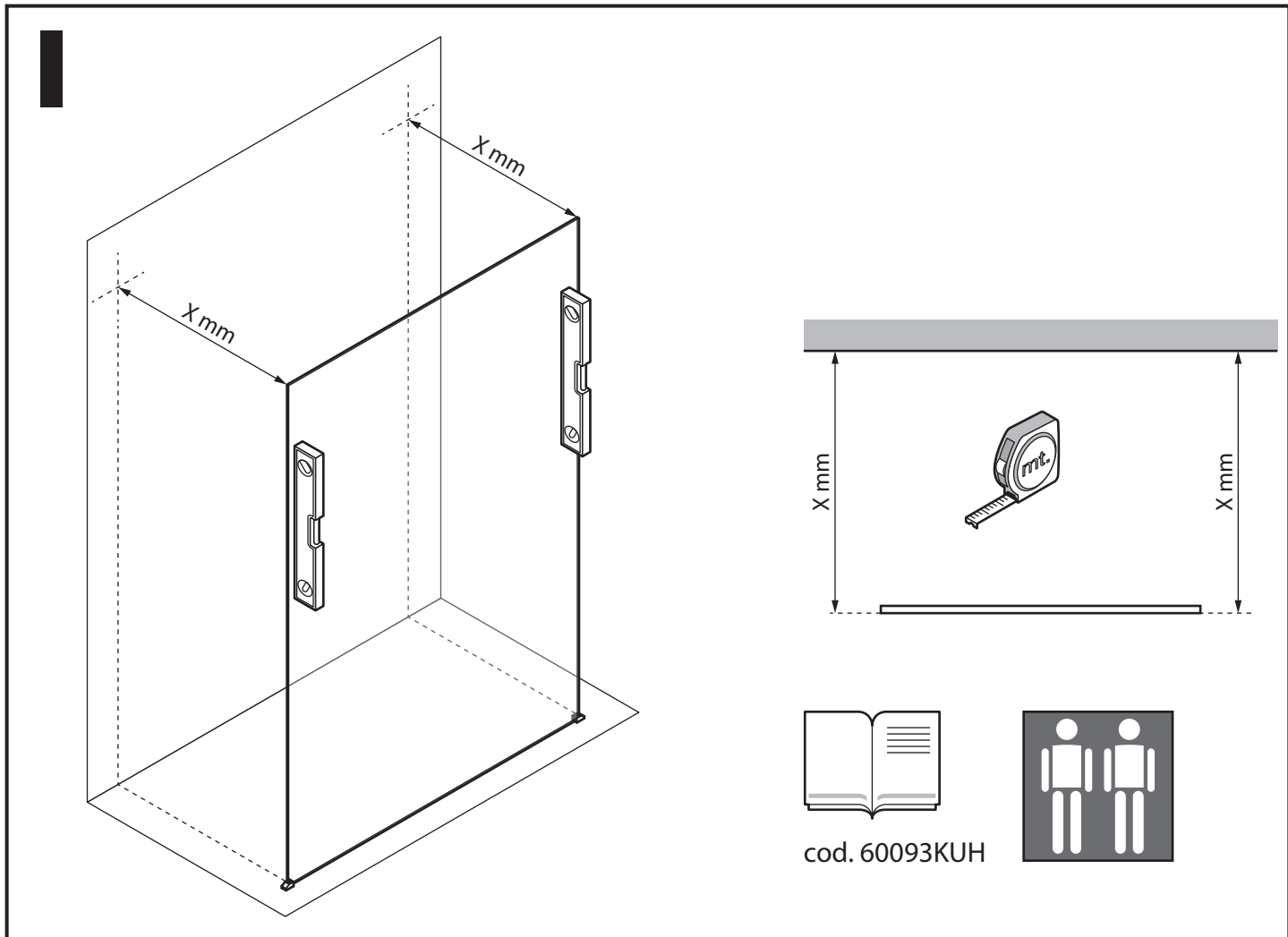


x4

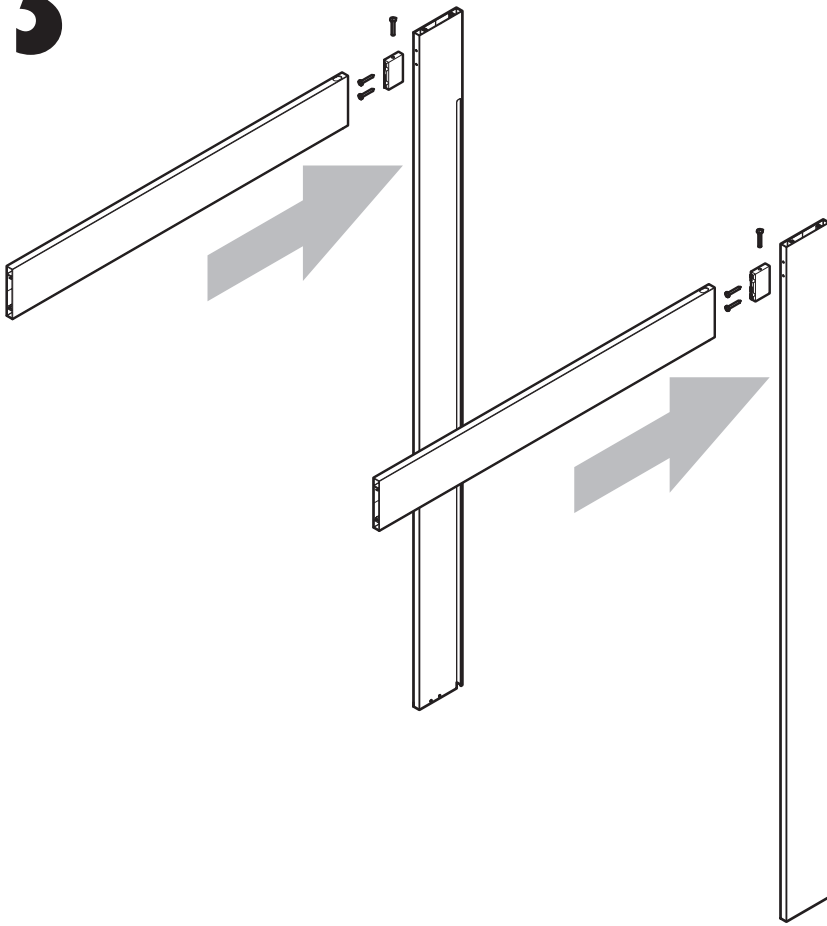


x2

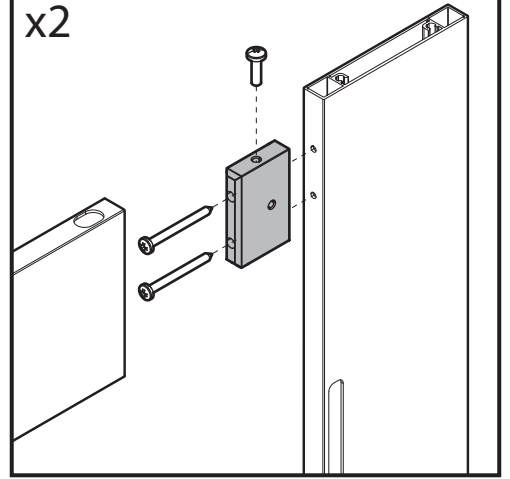





3

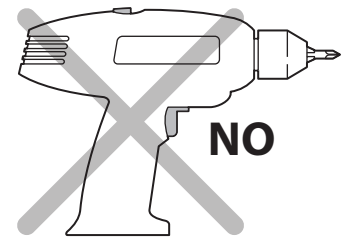


x2

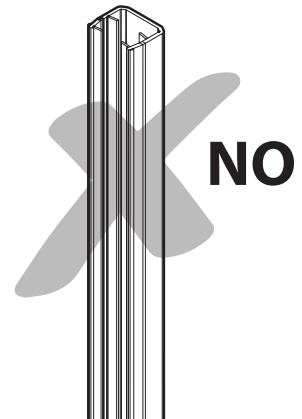
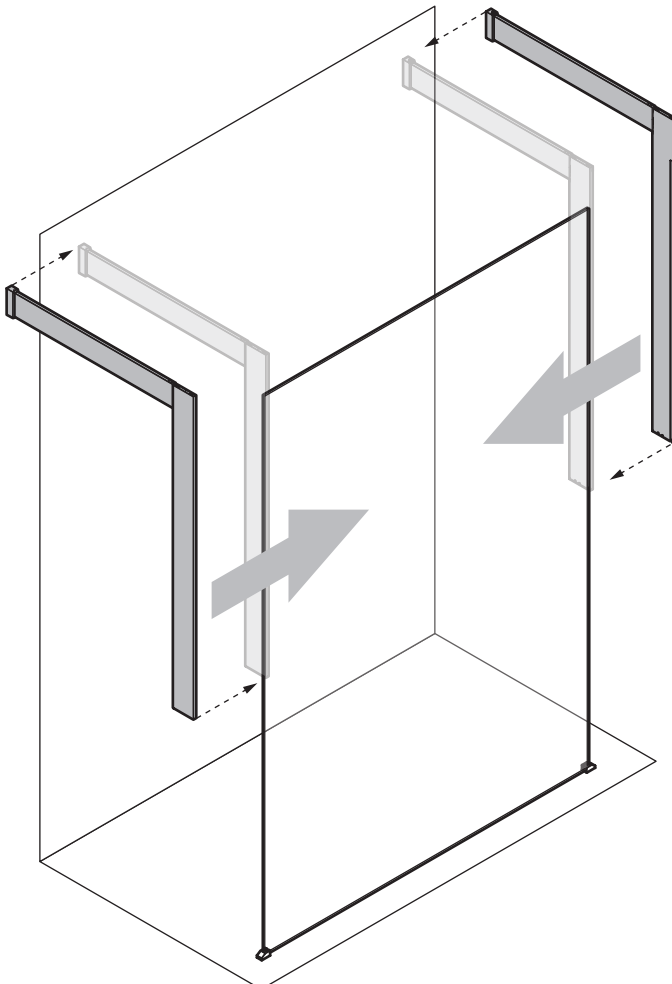



M4x14 x2

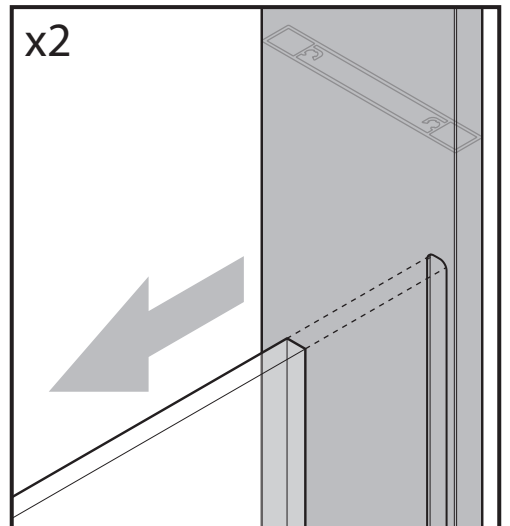

3,5x38 x4



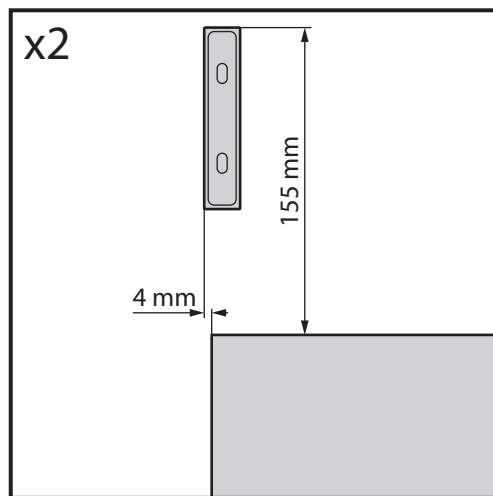
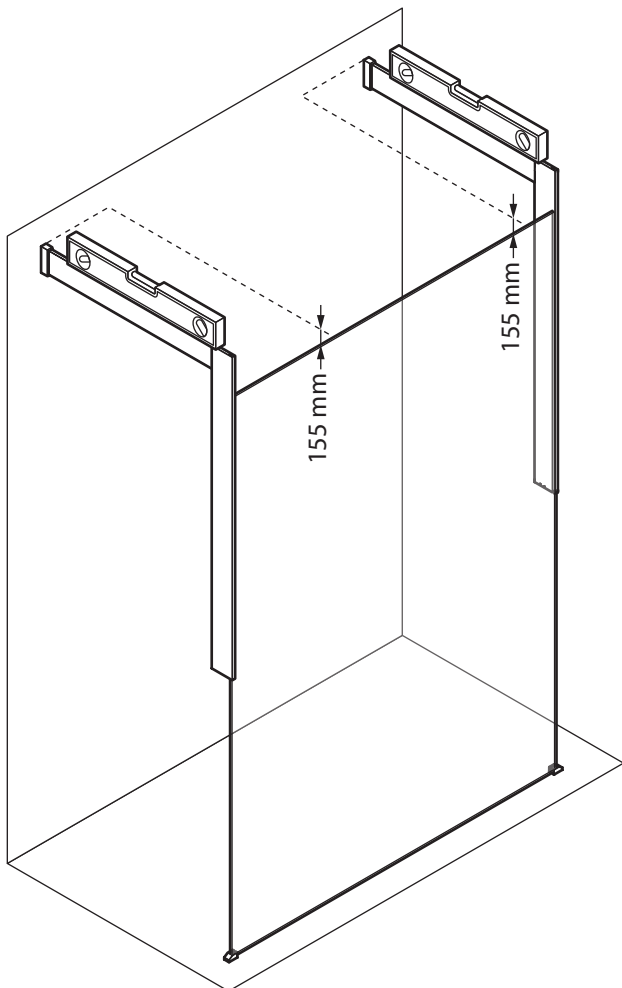
4



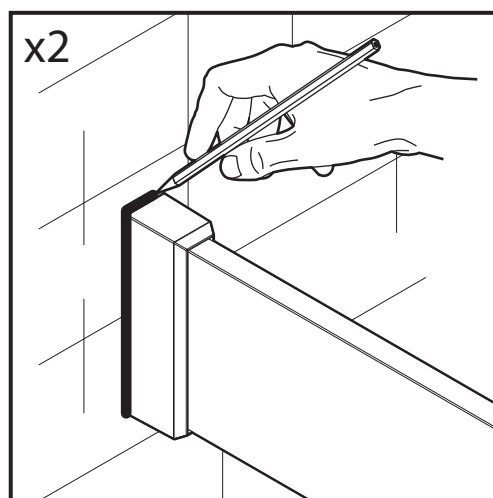
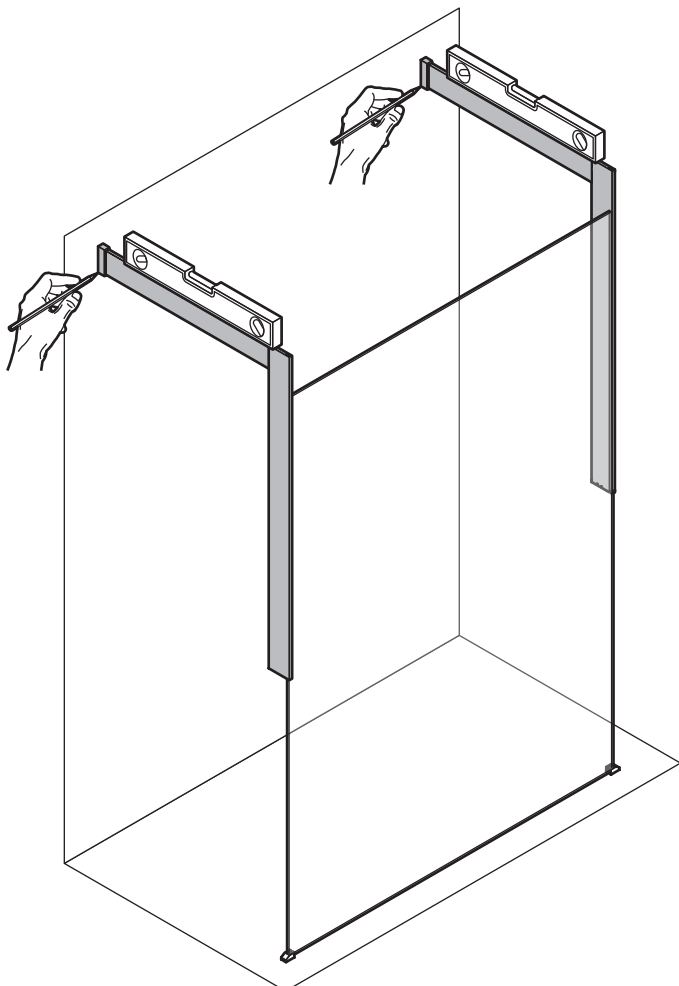
x2

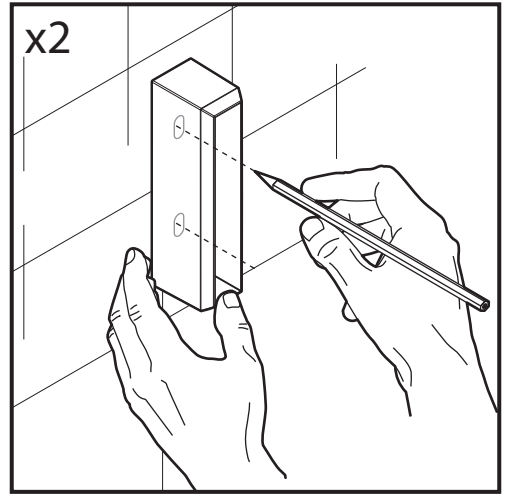
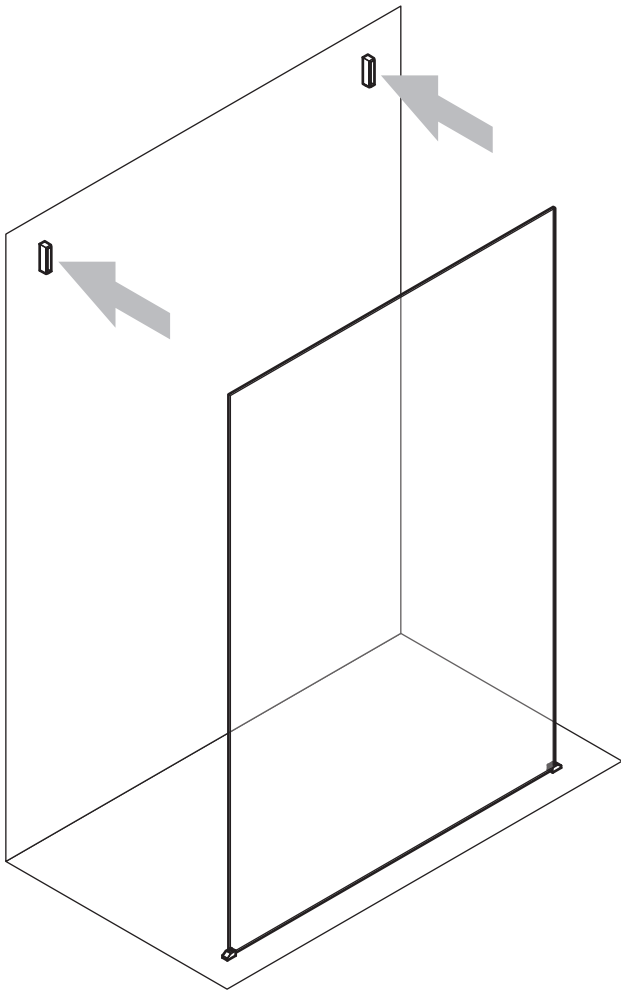
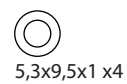
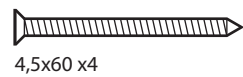
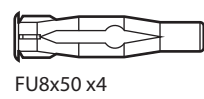
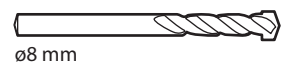
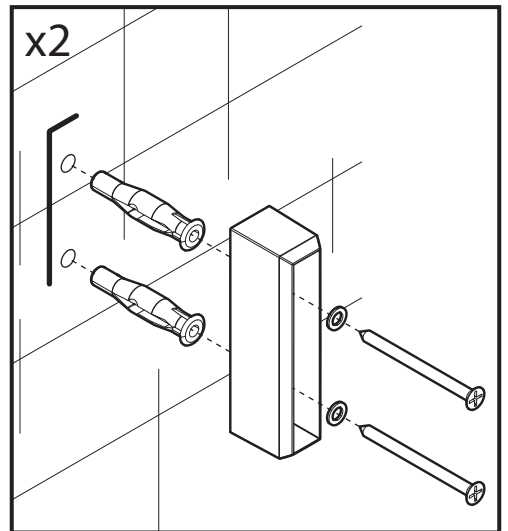
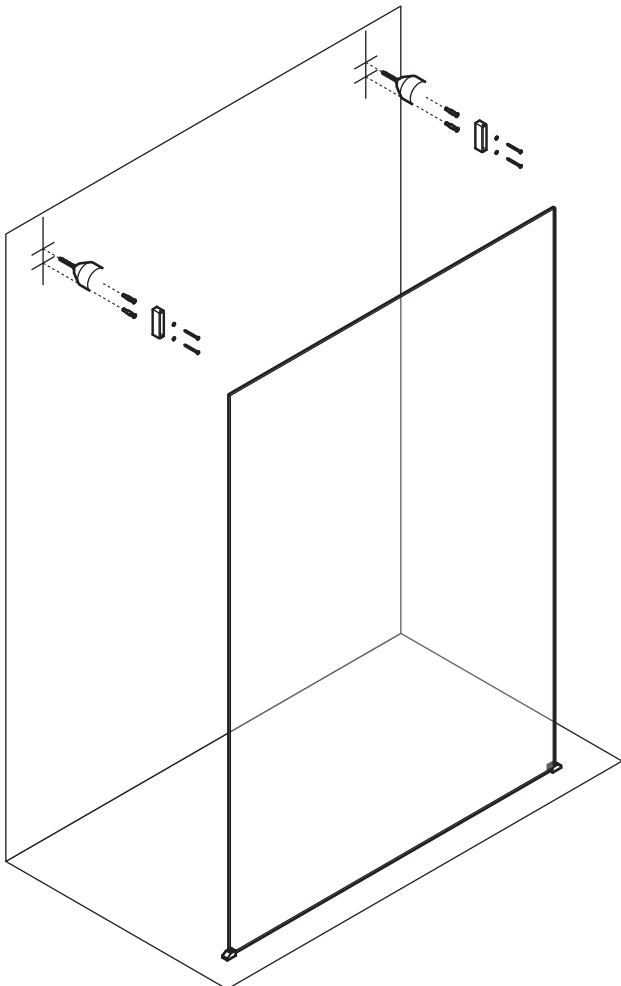


5

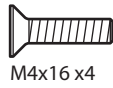
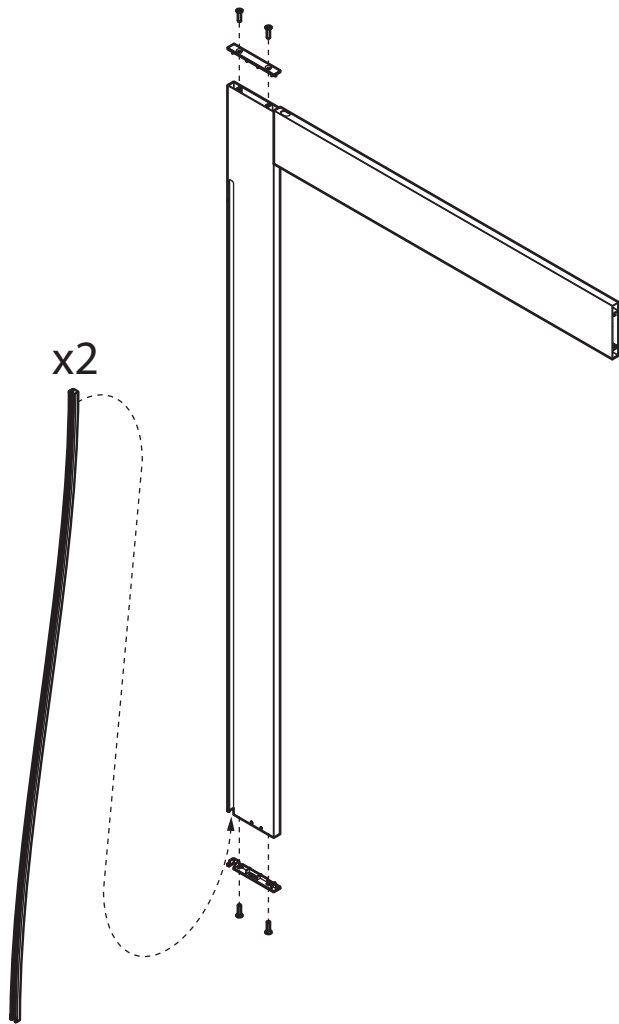


6



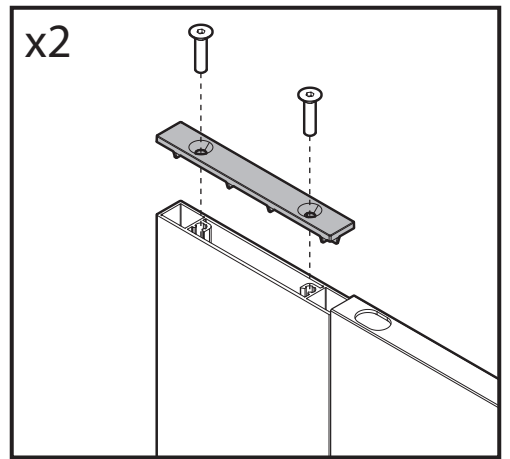
6**7**

8

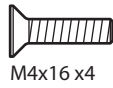
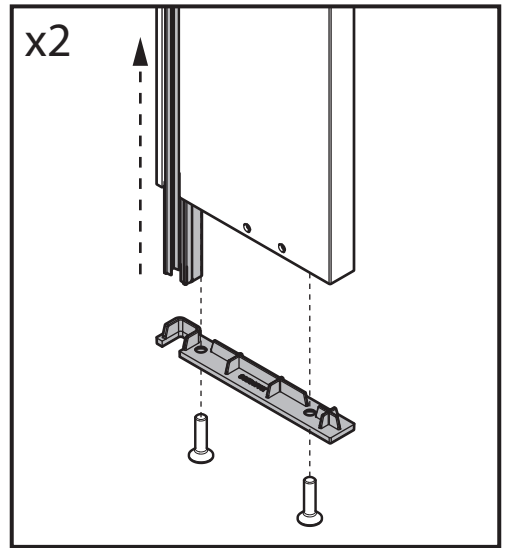


M4x16 x4

x2

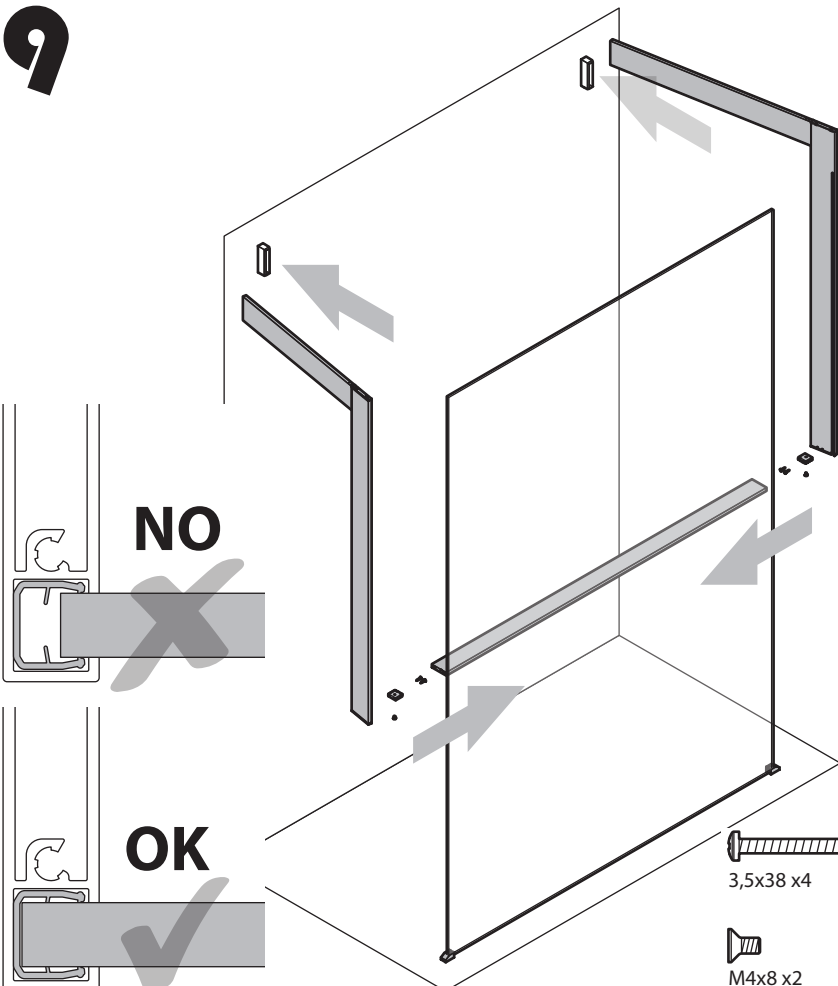


x2



M4x16 x4

9



NO

OK

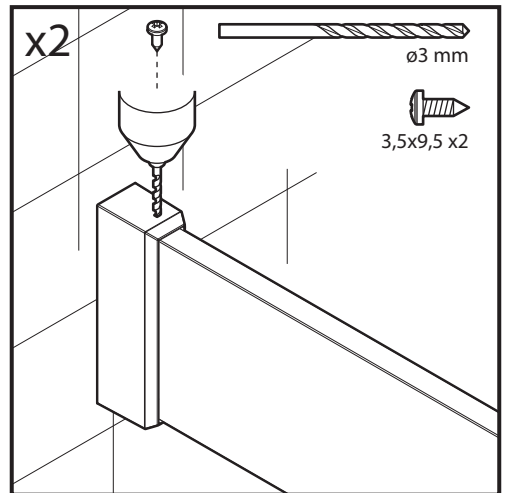


3,5x38 x4



M4x8 x2

x2



ø3 mm

3,5x9,5 x2

x2

