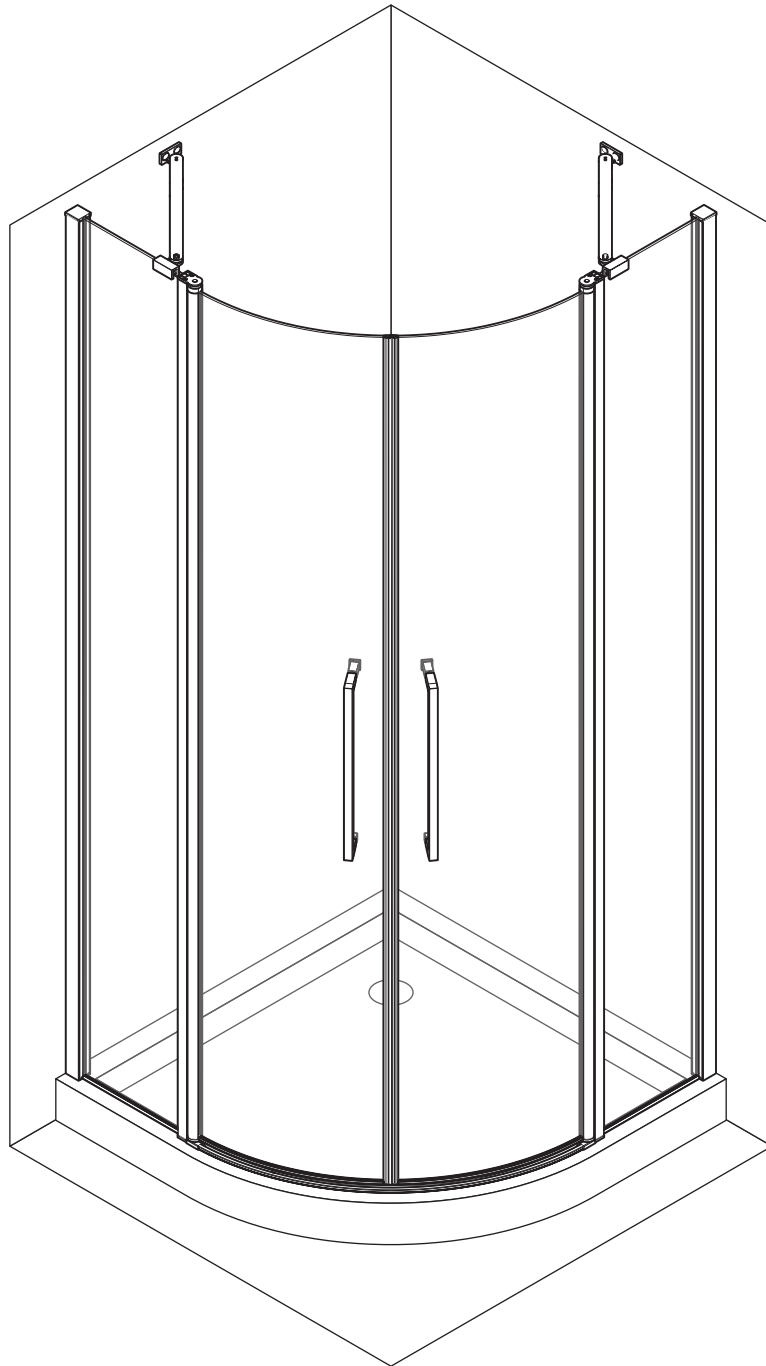
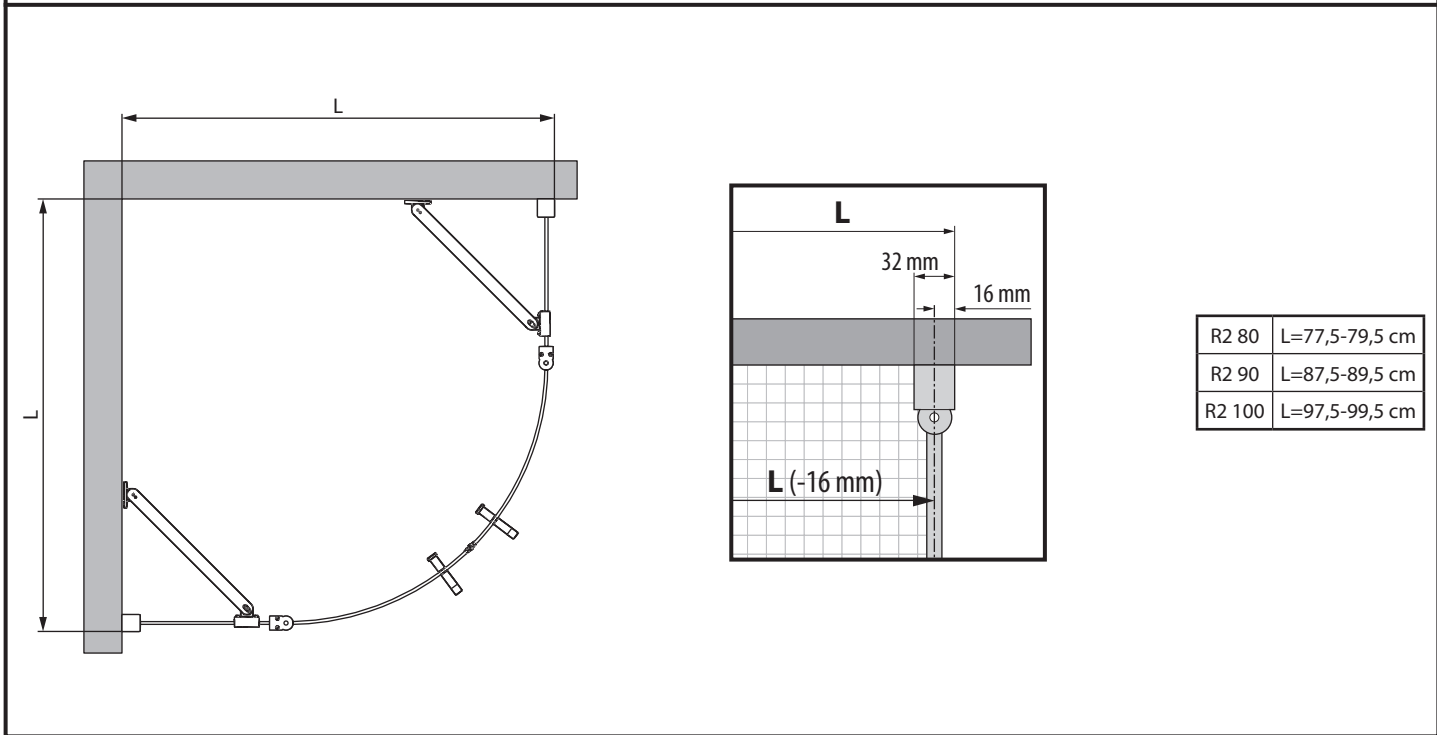
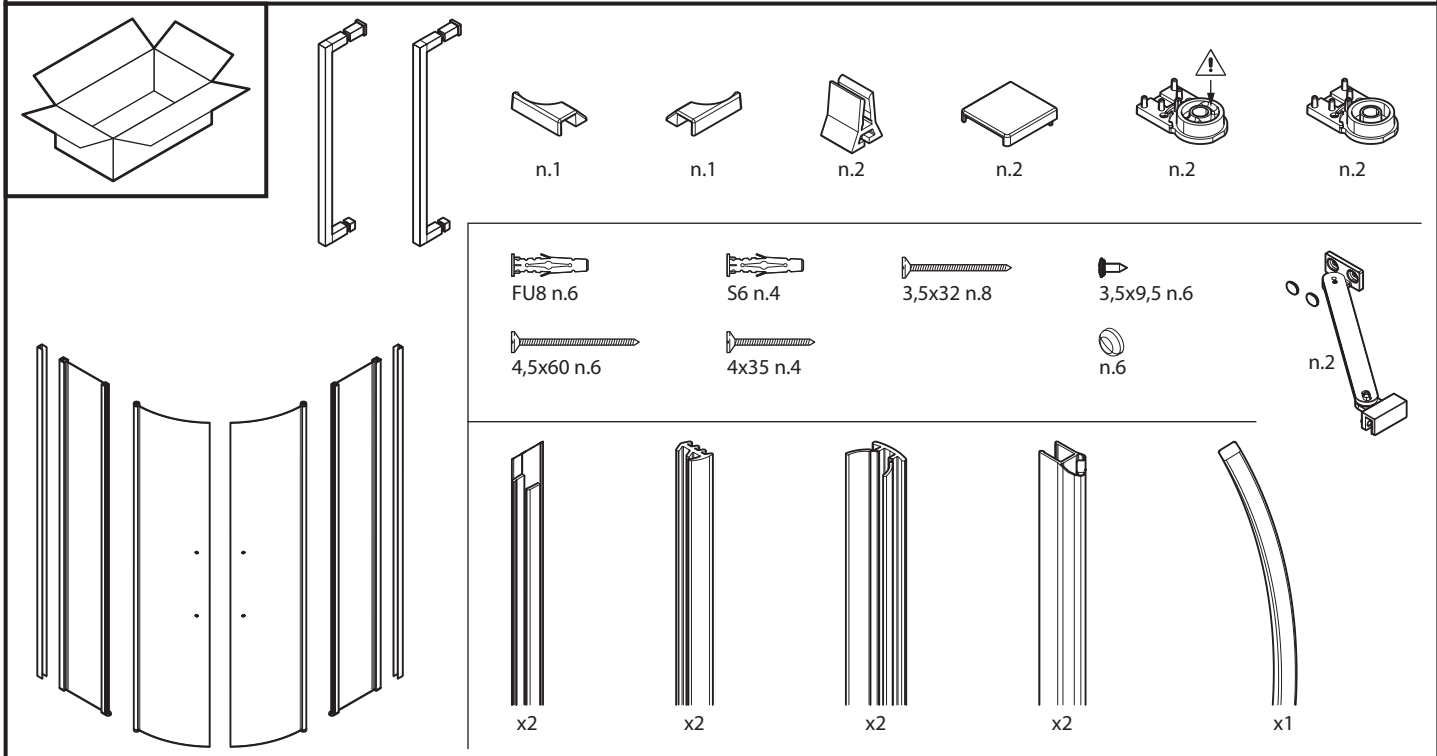
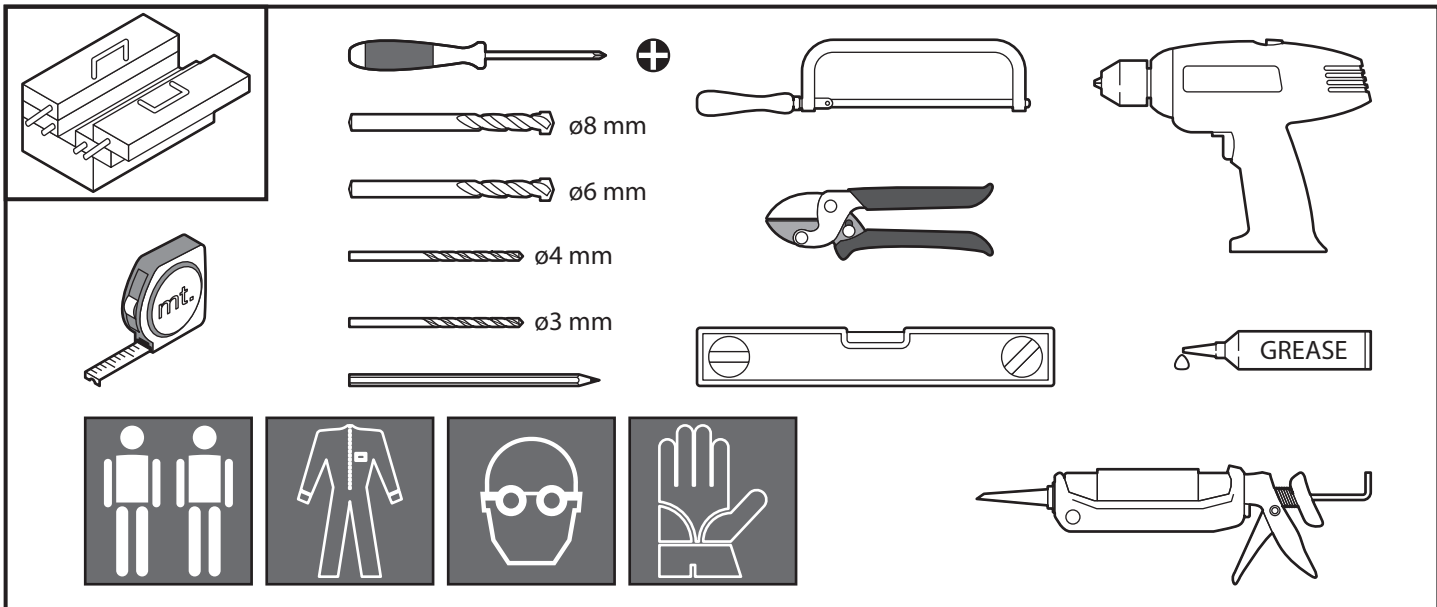
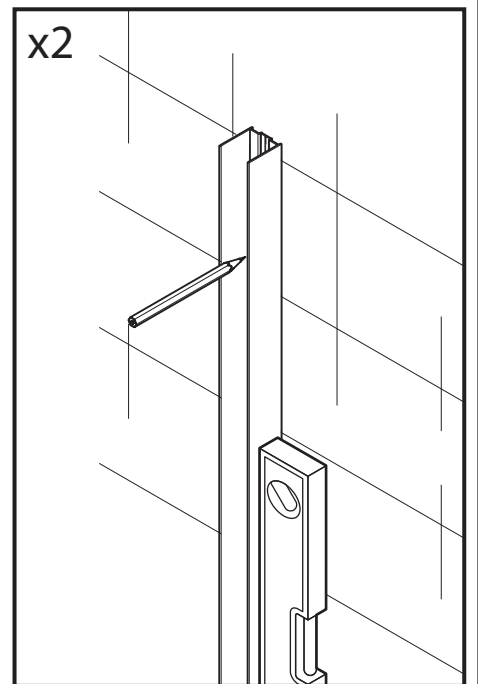
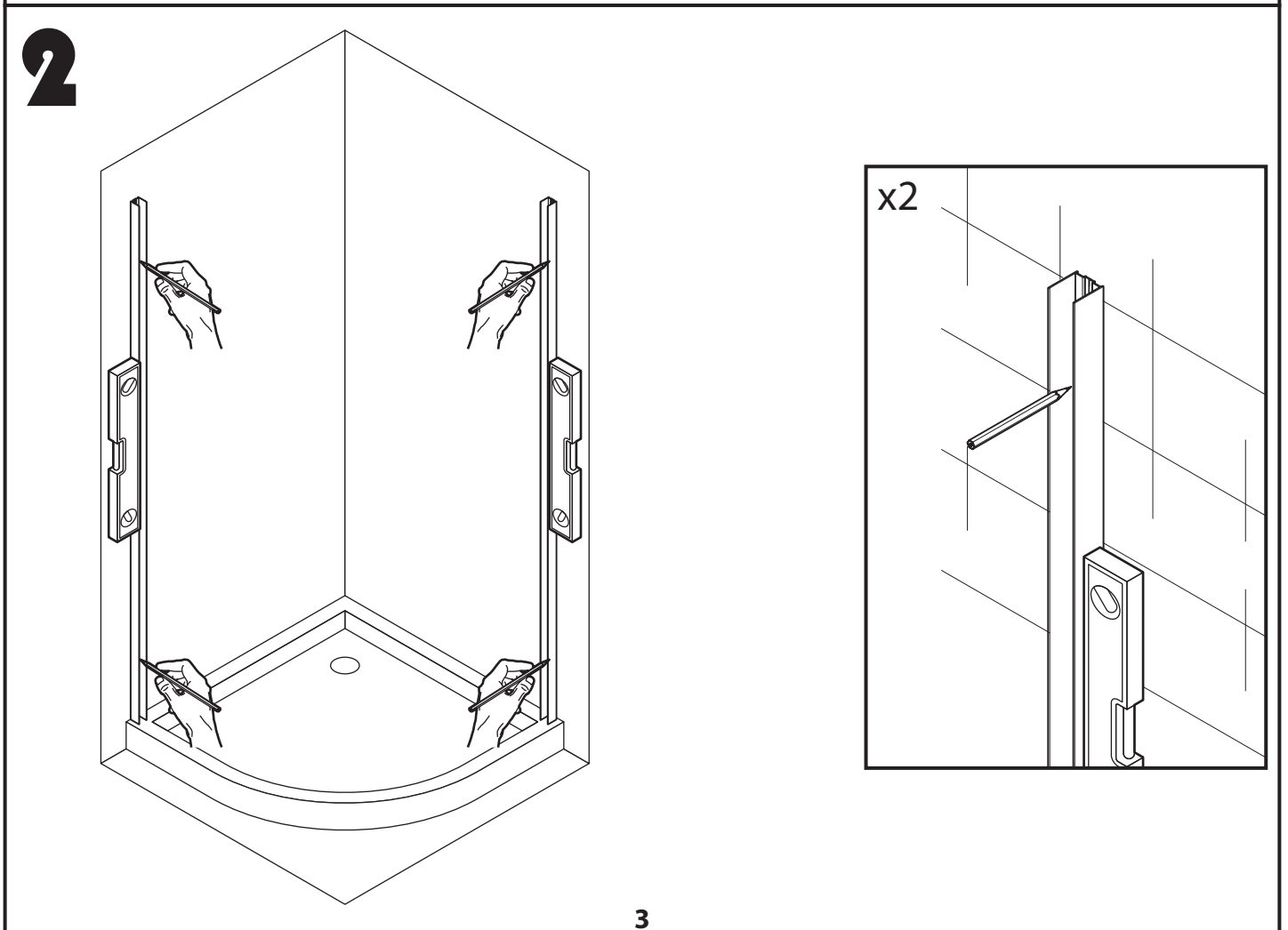
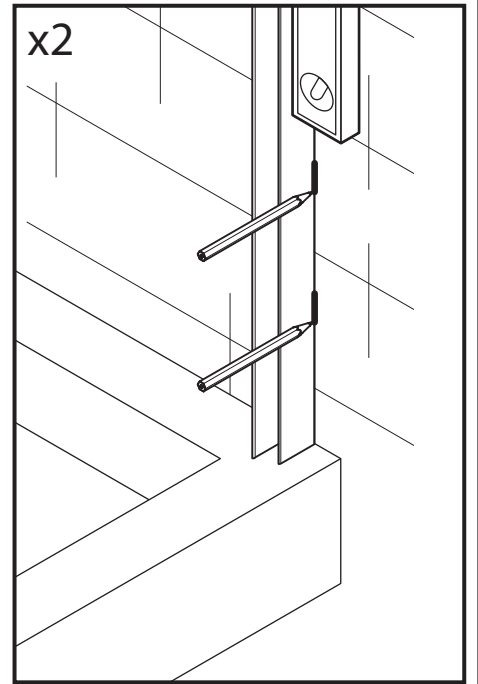
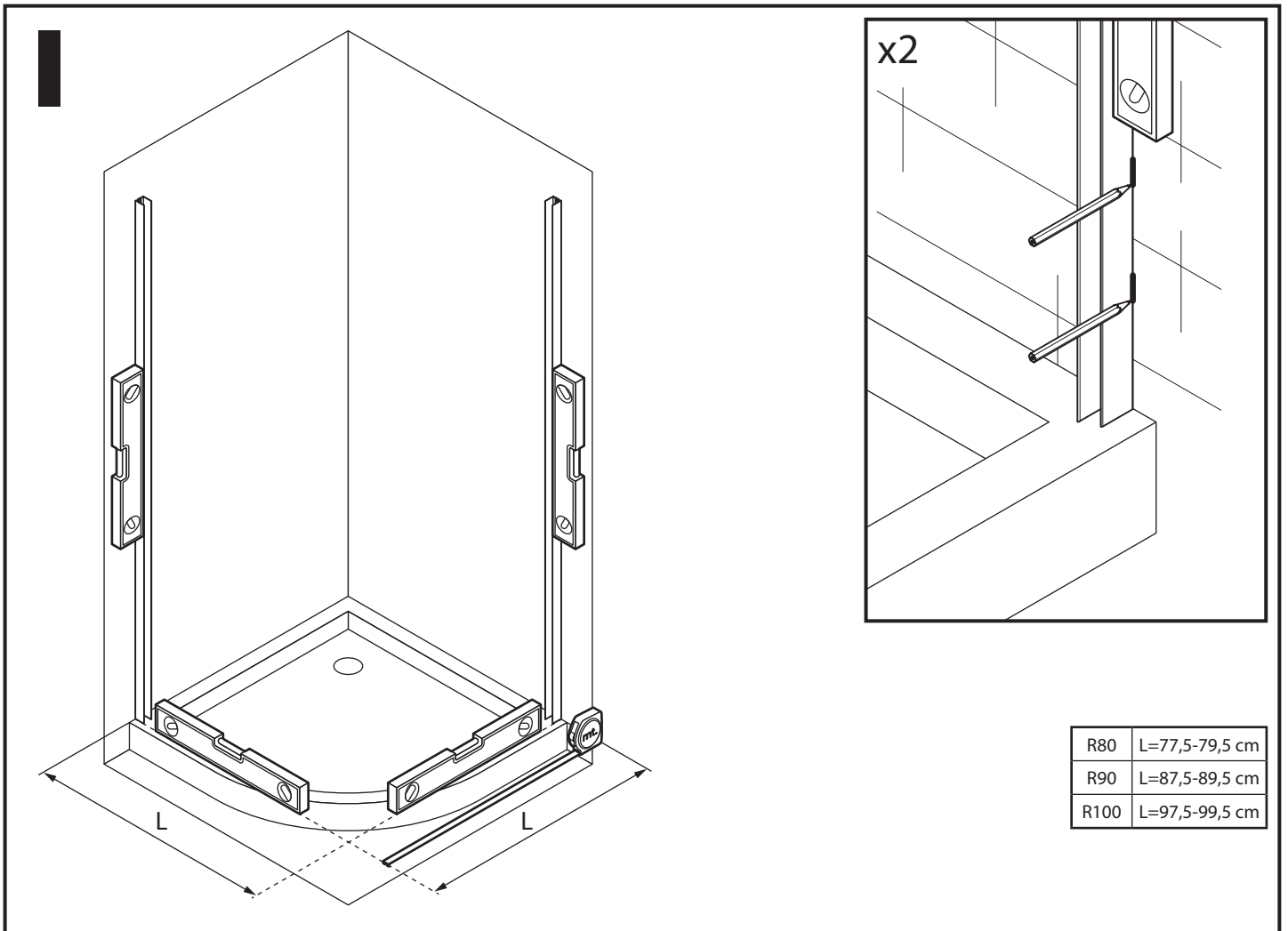


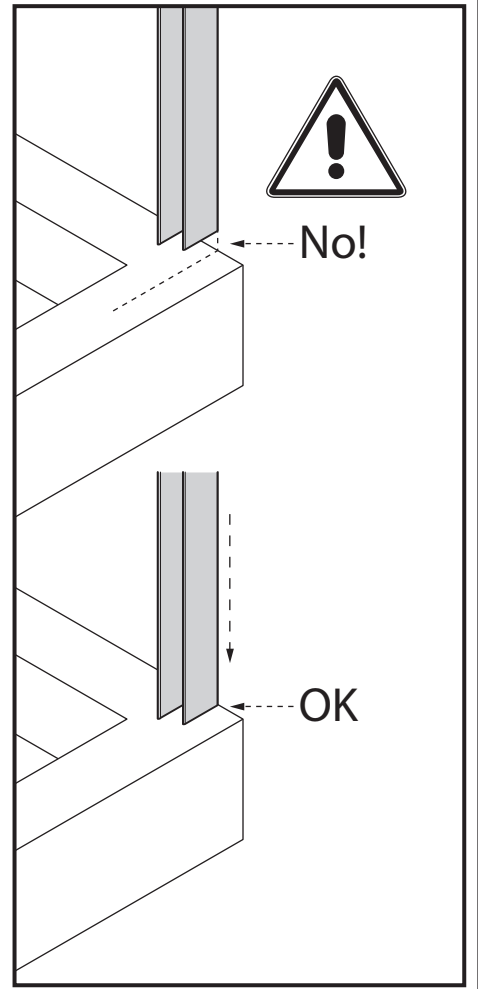
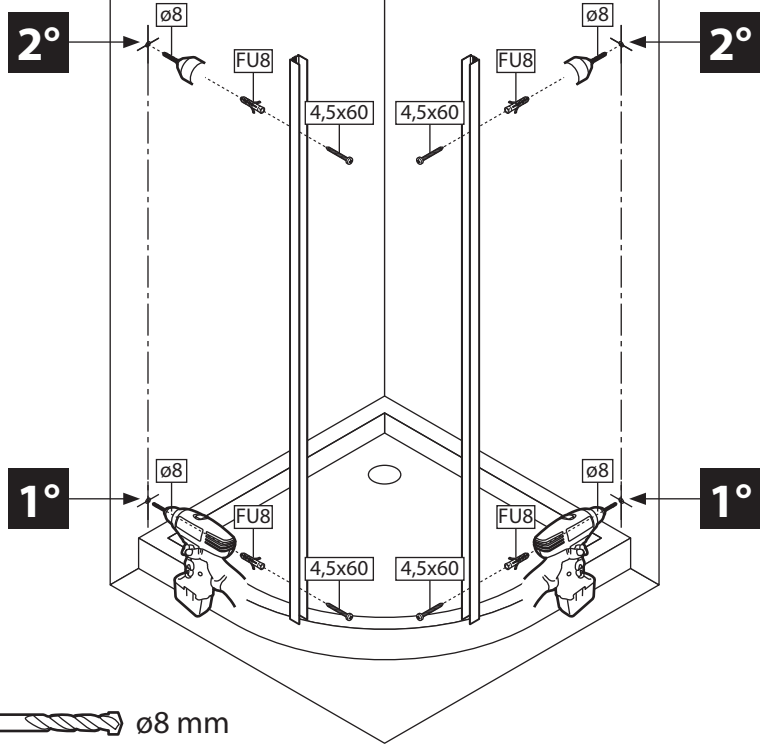
**R2**



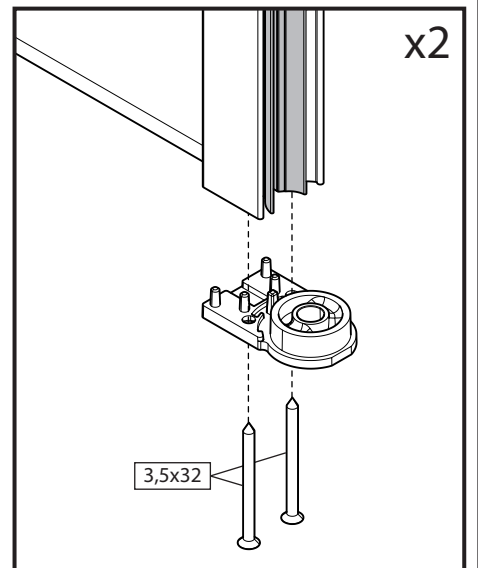
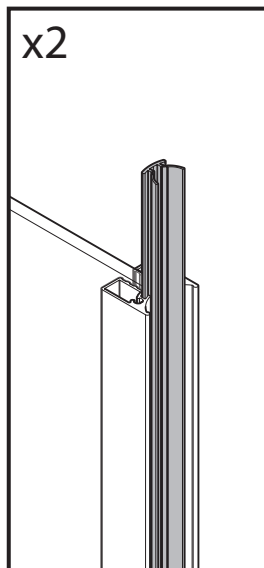
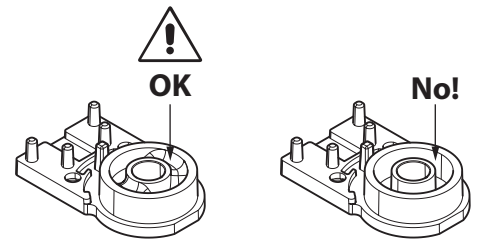
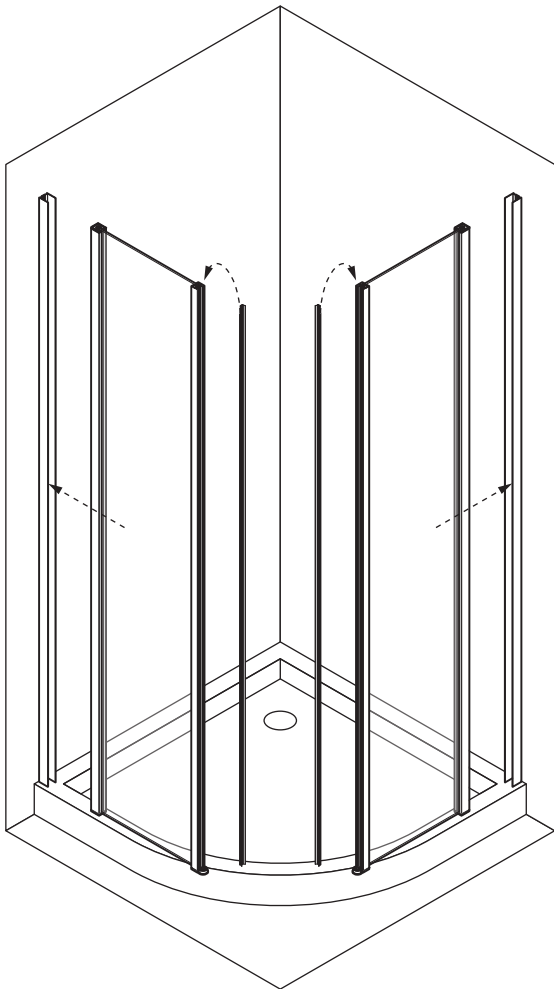





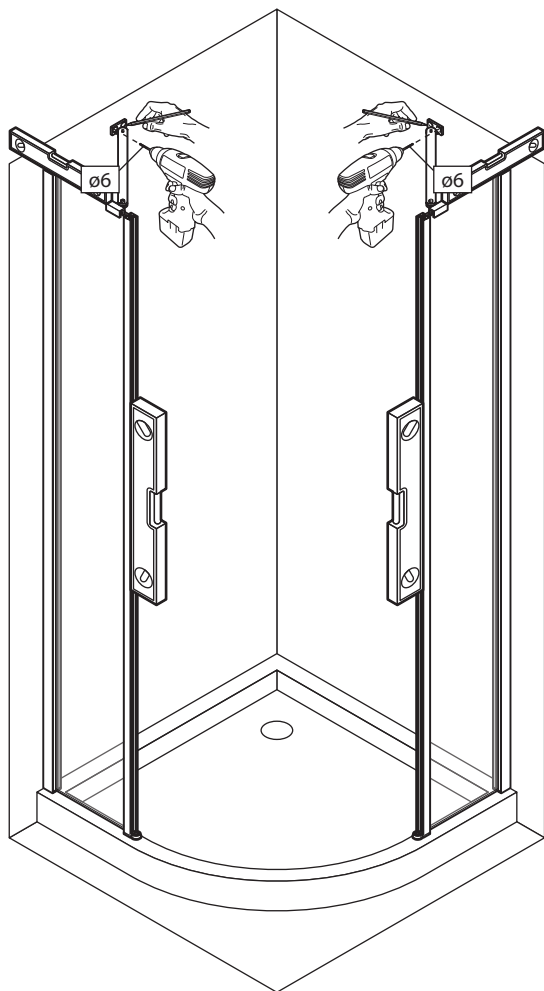
# 3



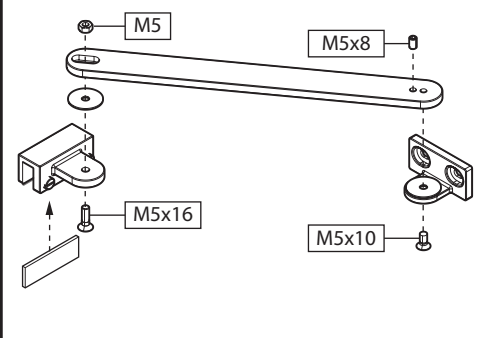
# 4



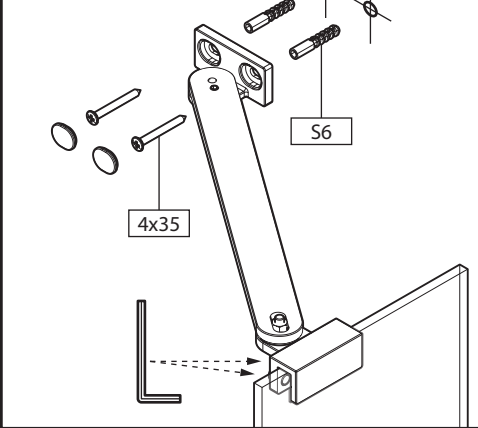
# 5



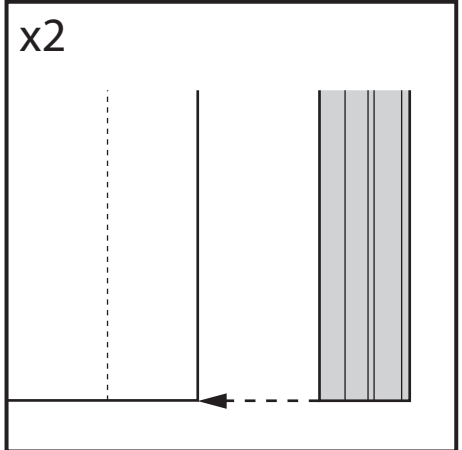
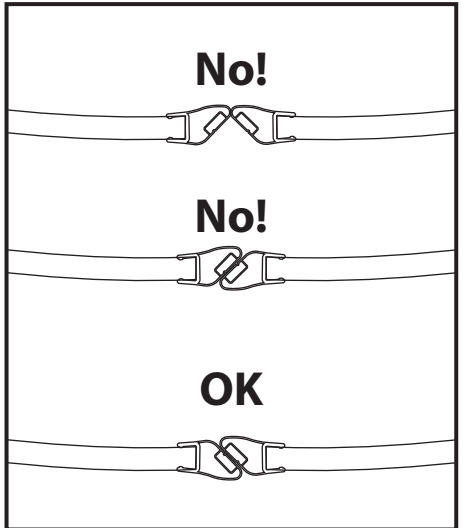
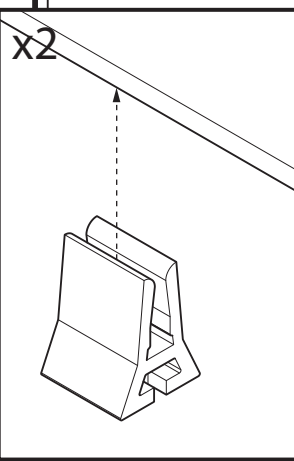
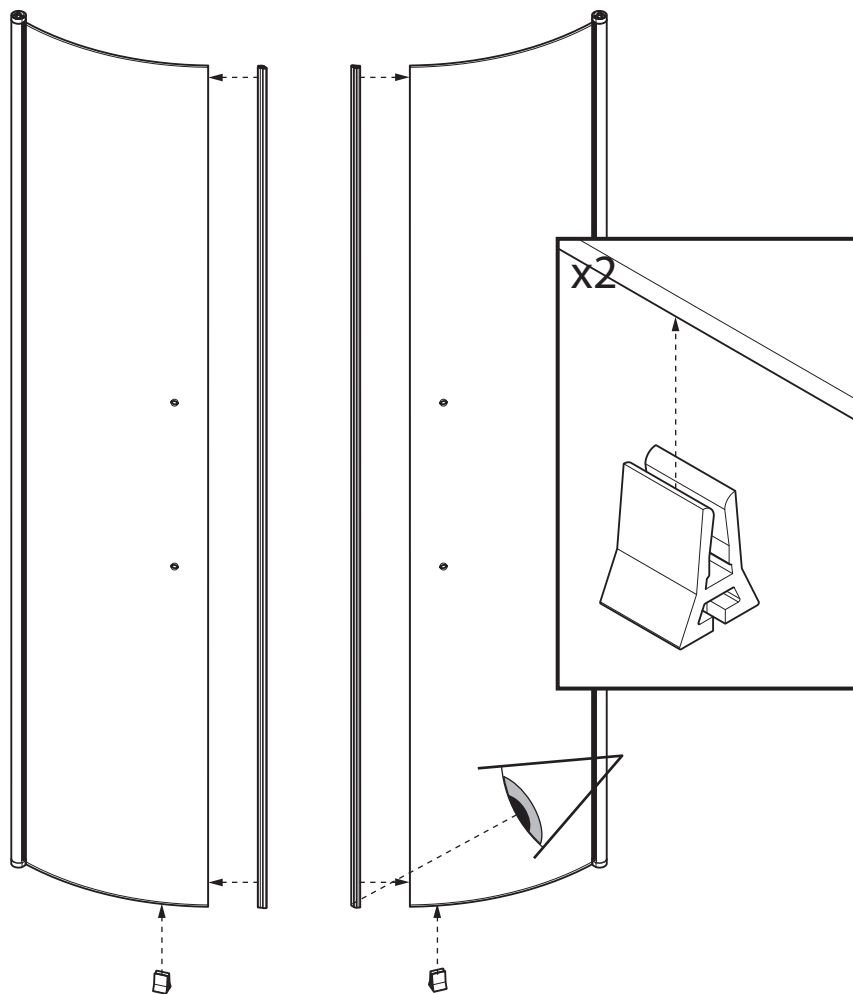
x2



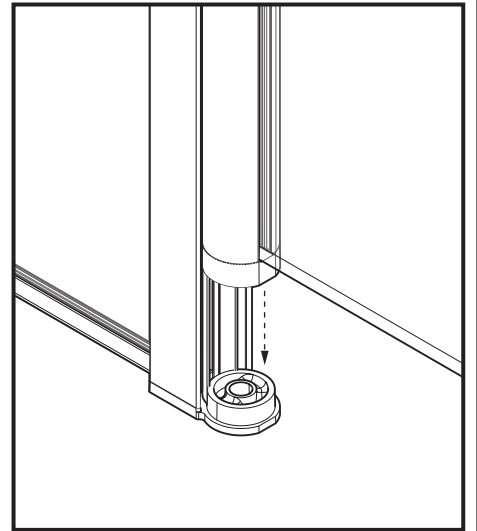
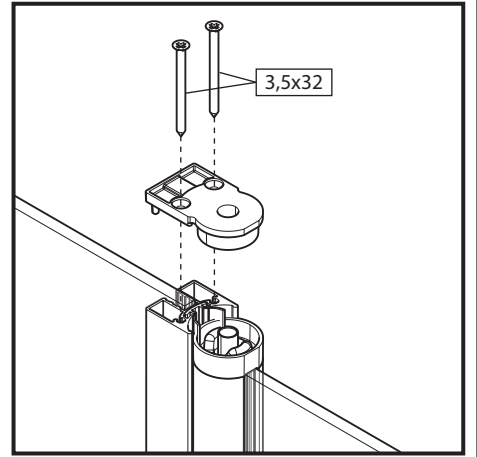
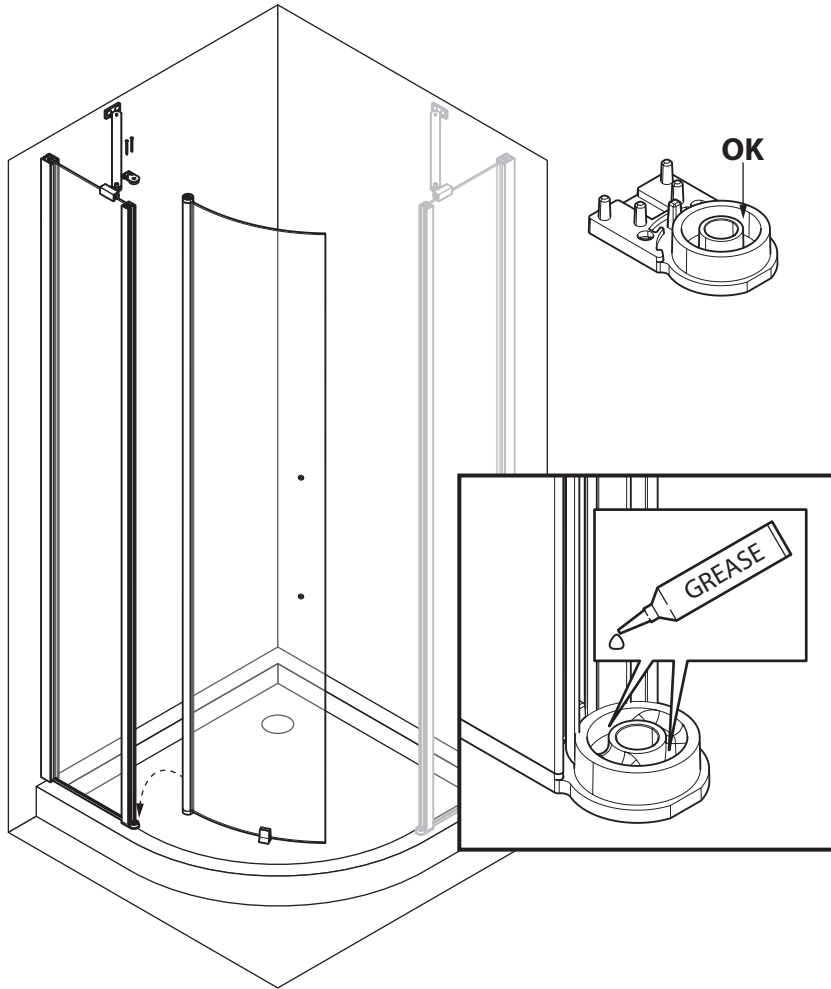
x2



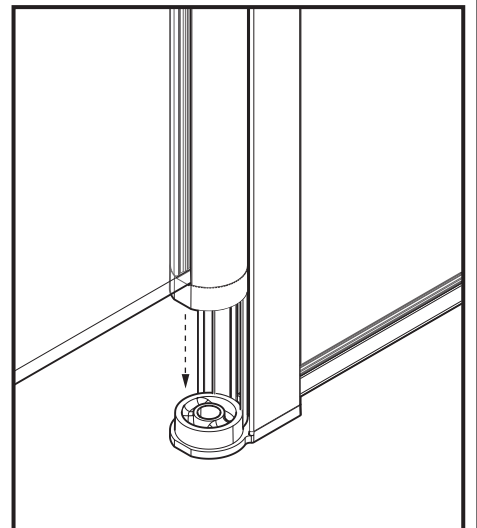
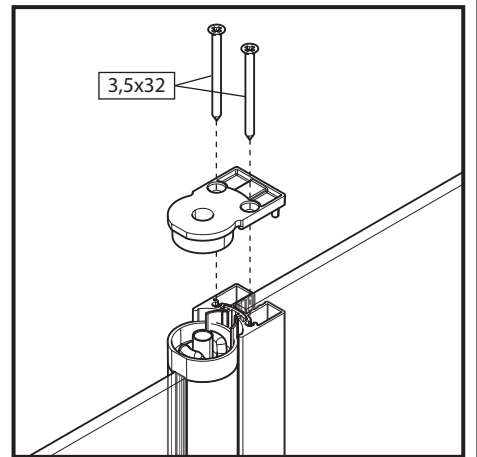
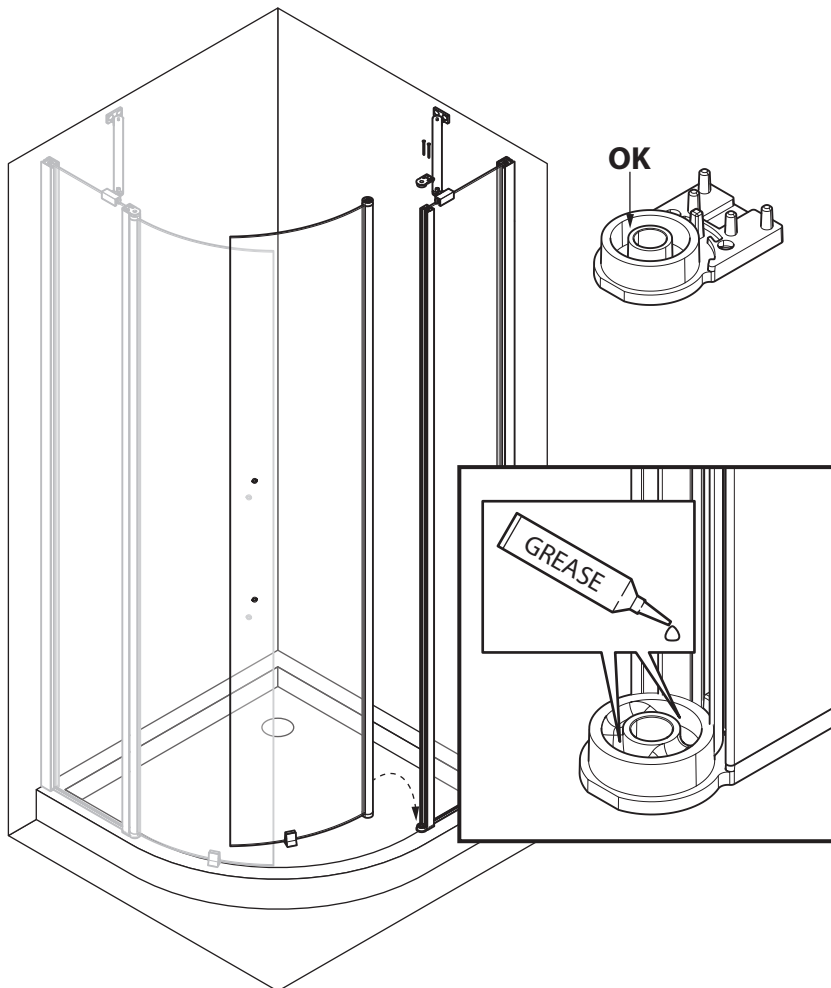
# 6



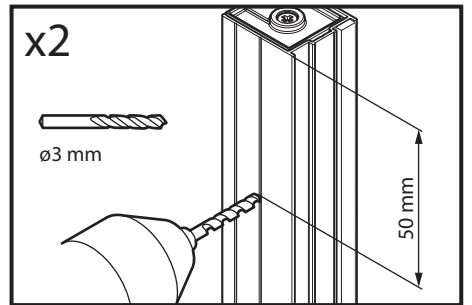
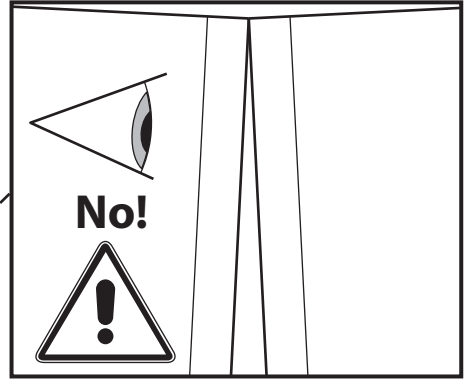
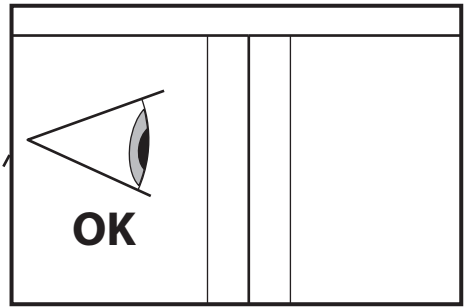
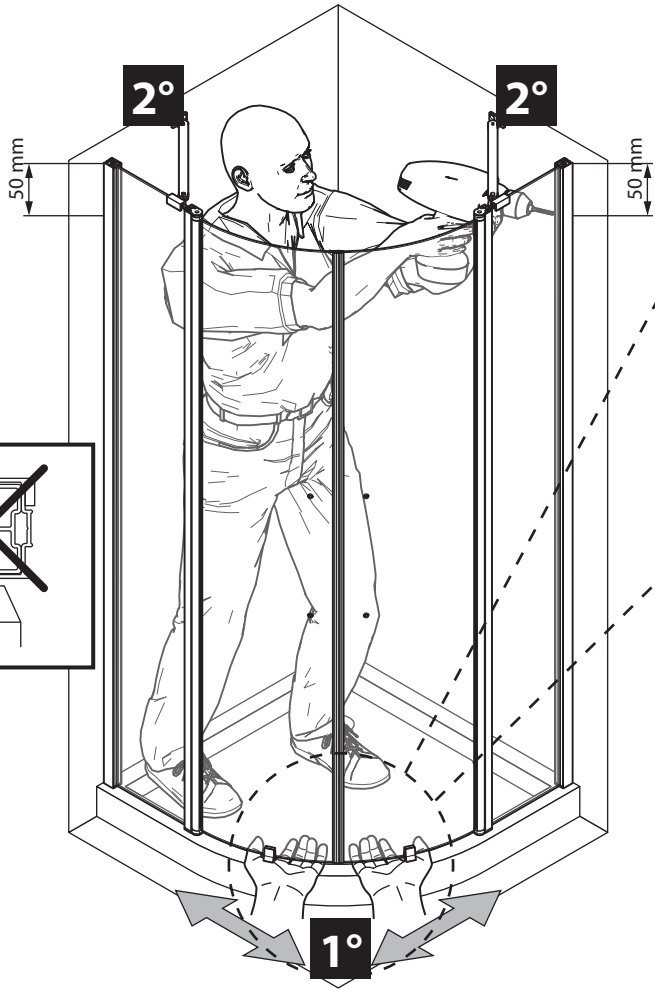
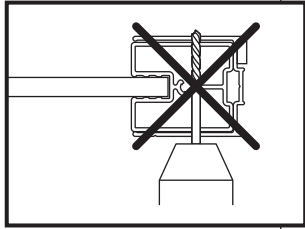
7



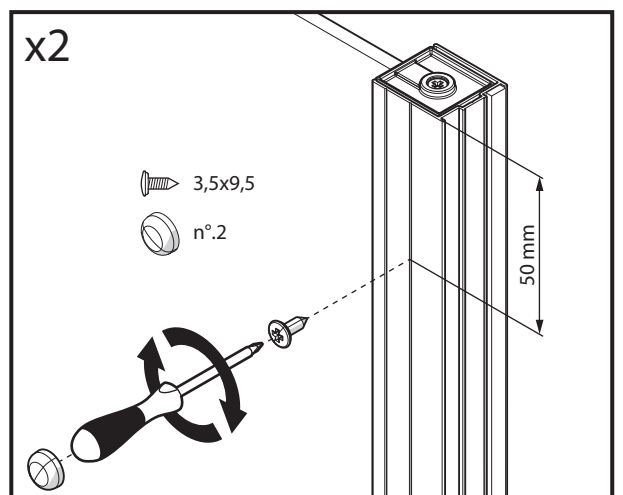
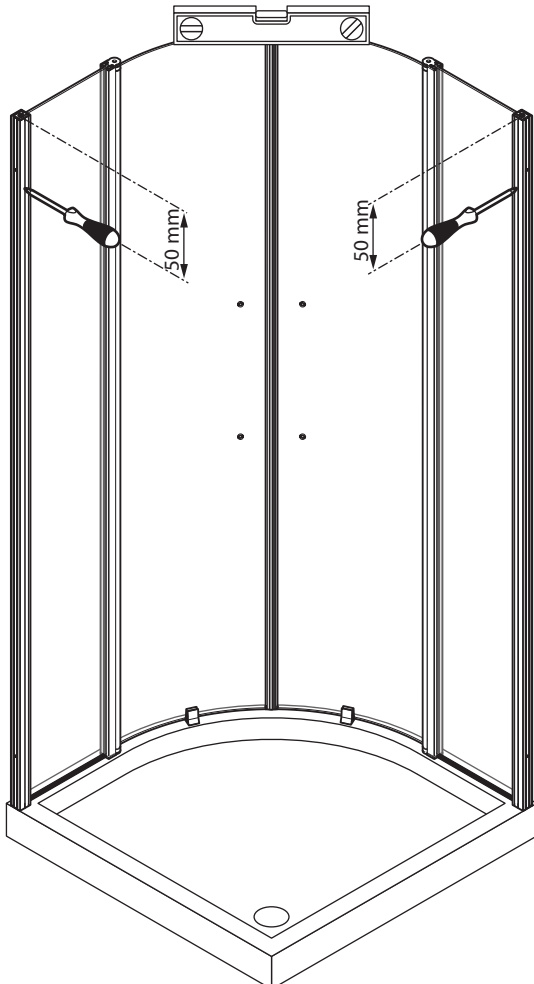
8



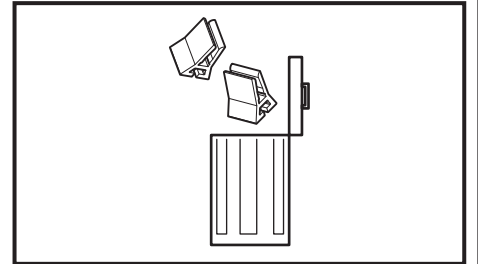
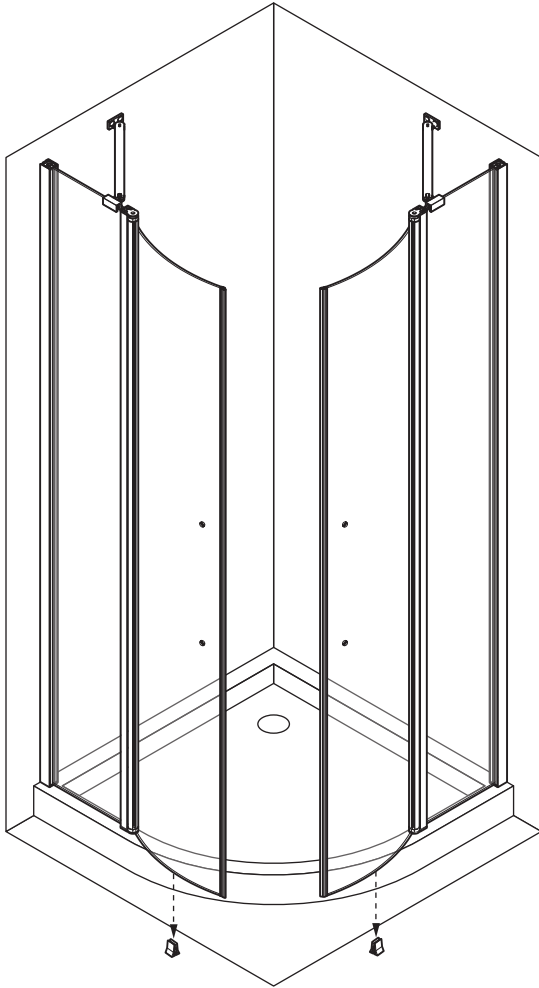
# 9



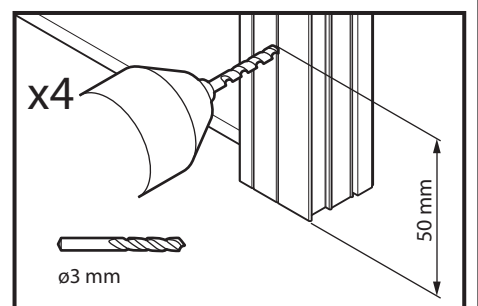
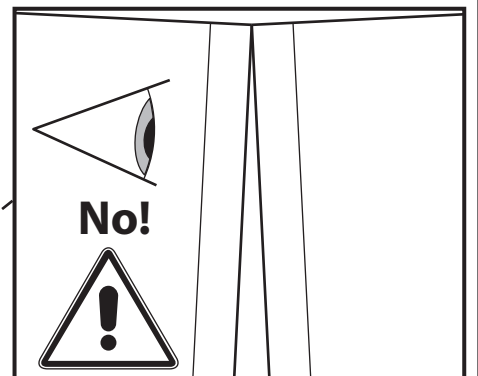
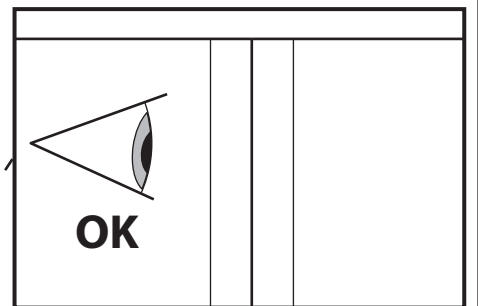
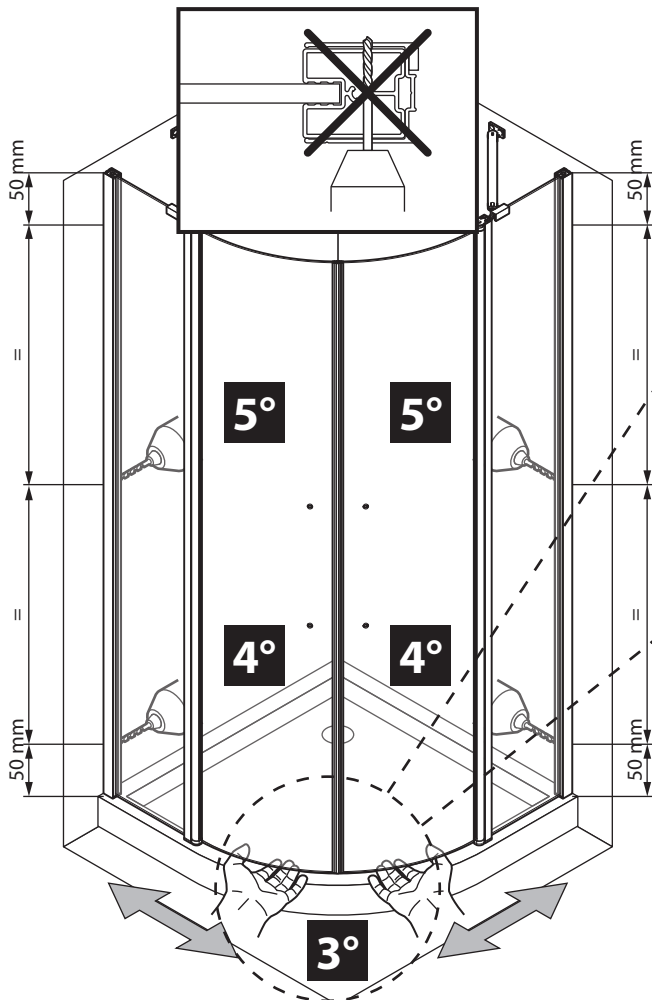
# 10



11

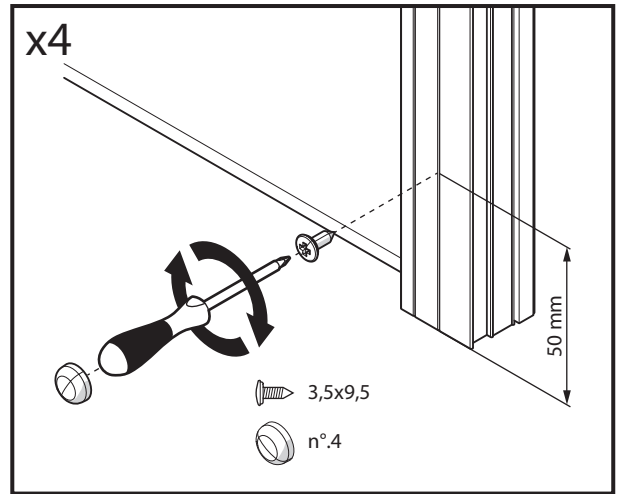
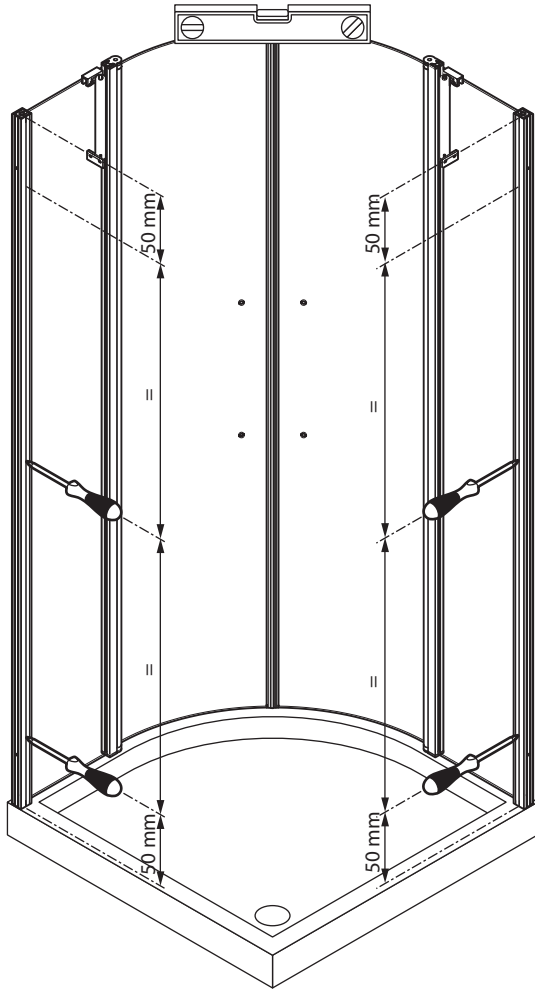


12

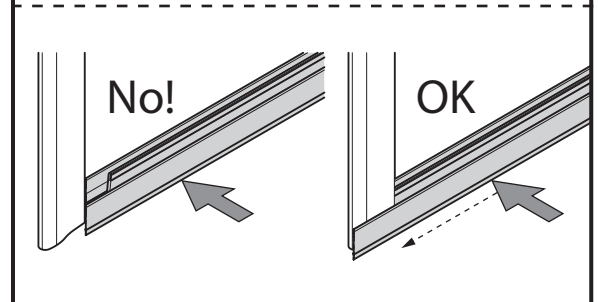
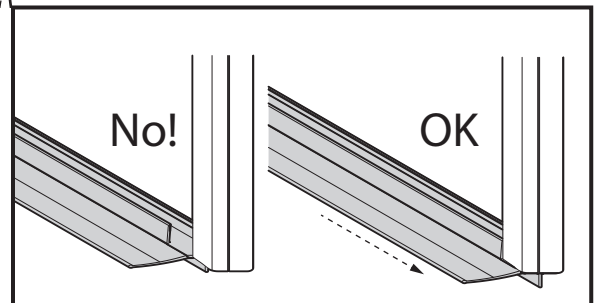
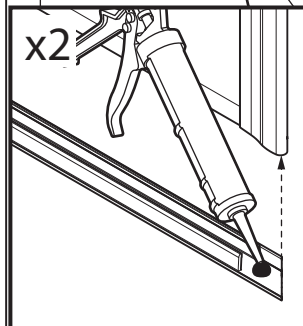
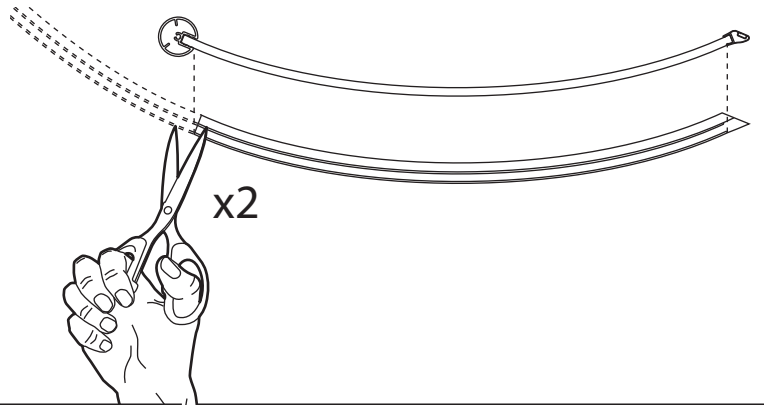
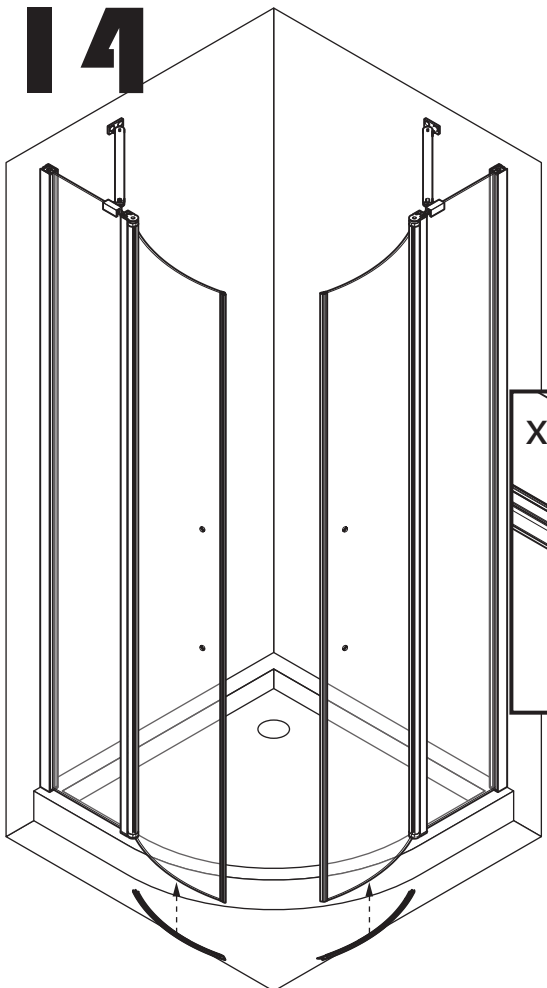




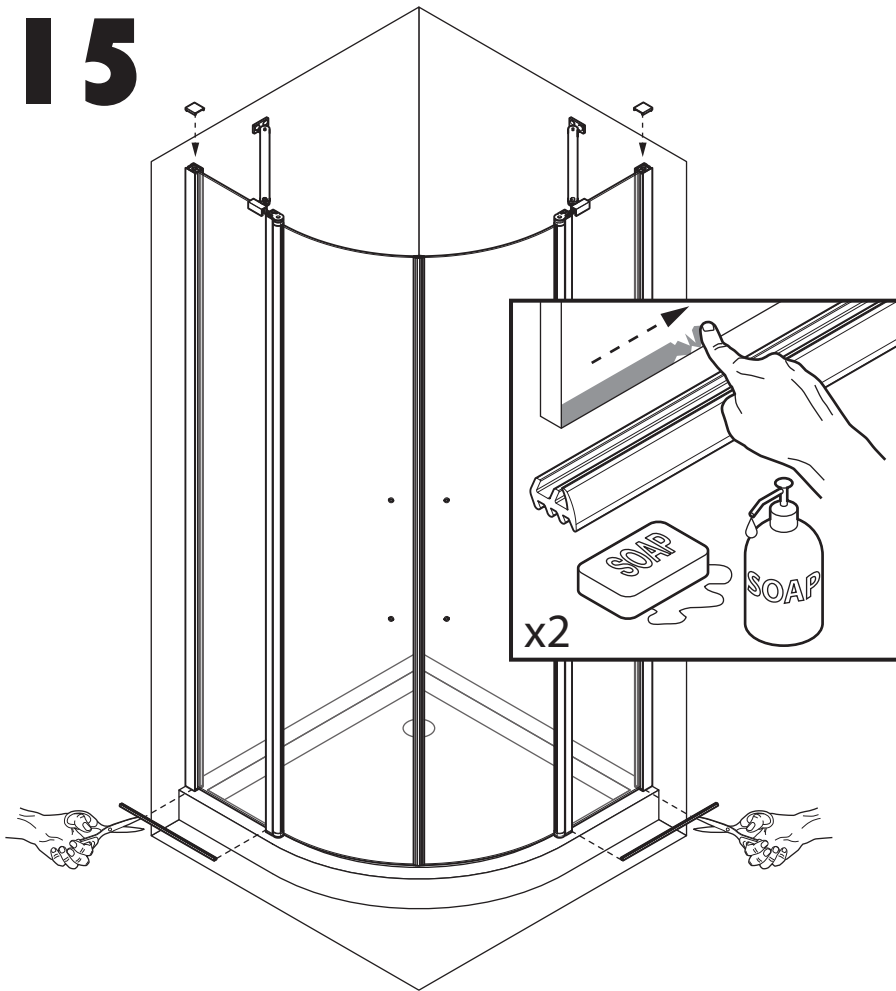
# 13



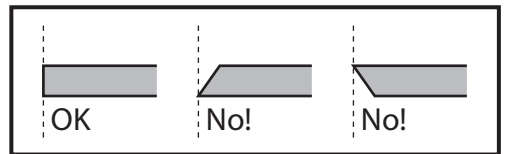
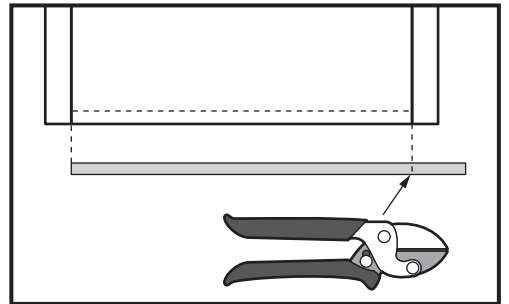
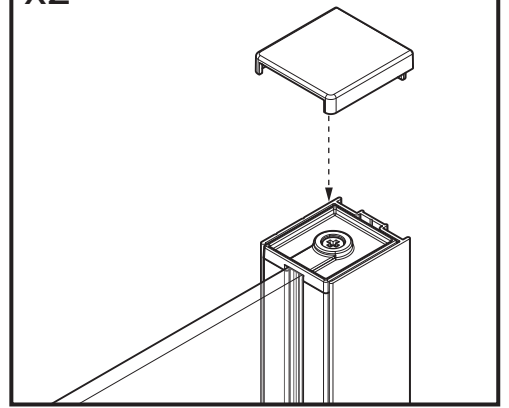
# 14



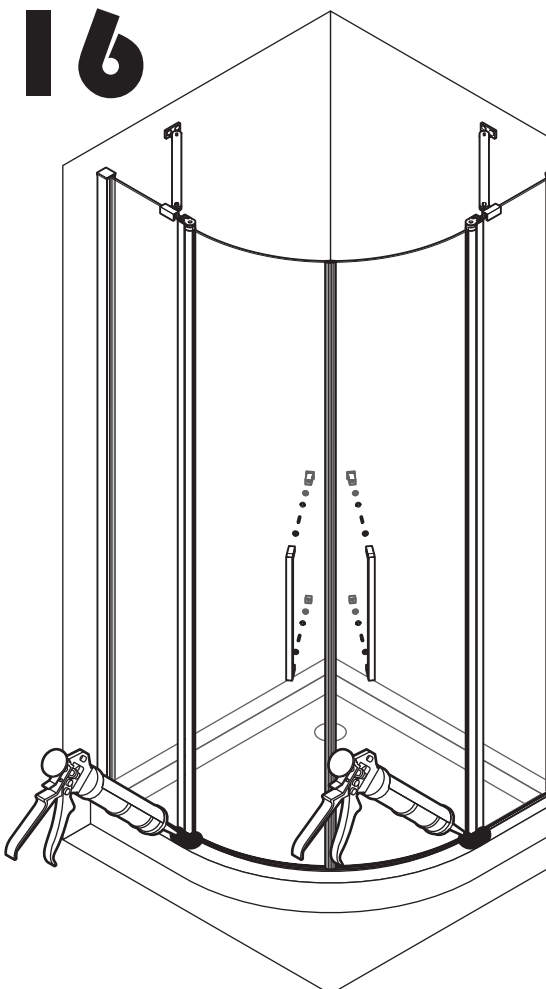
# 15



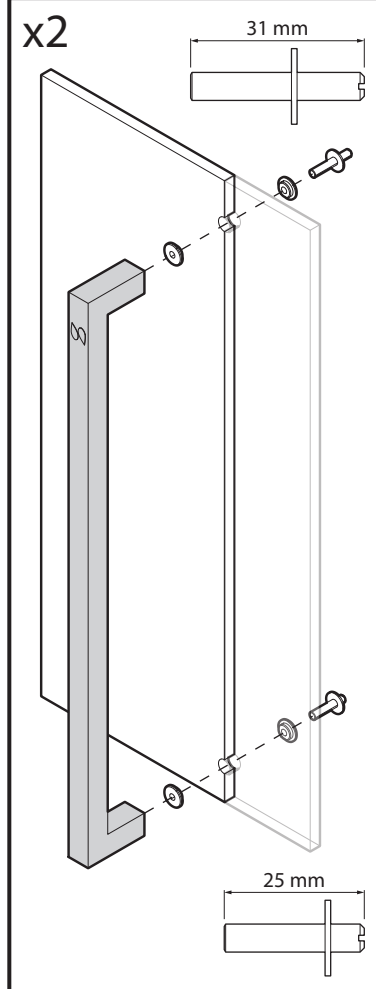
x2



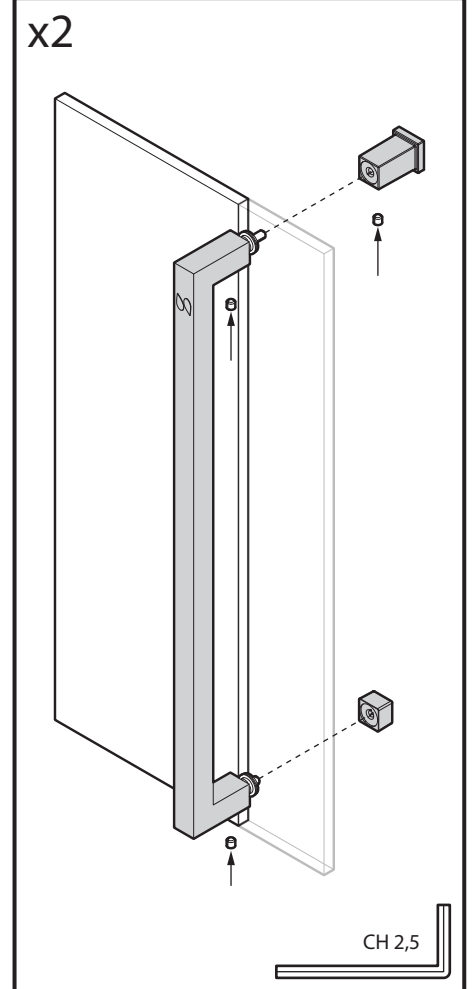
# 16



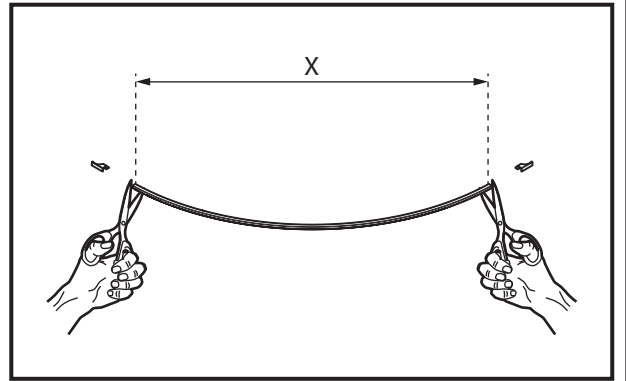
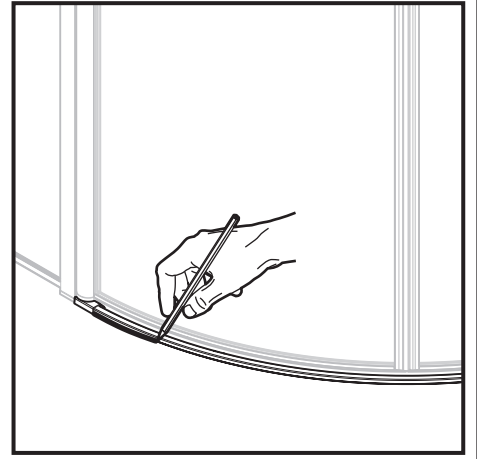
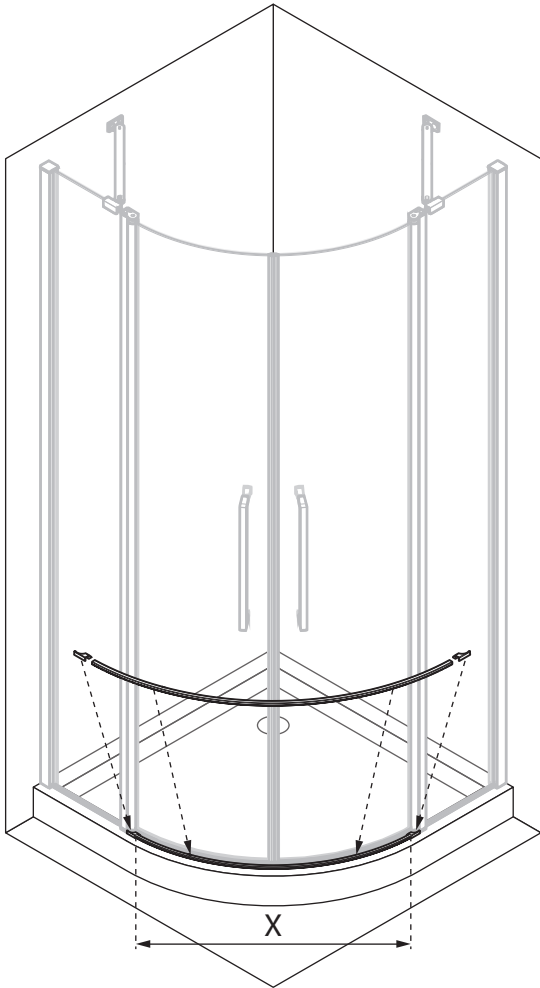
x2



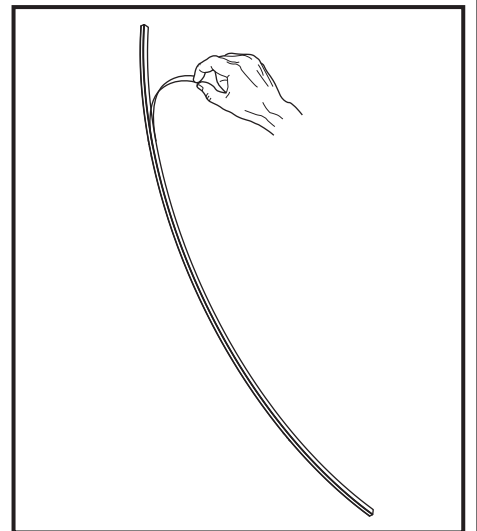
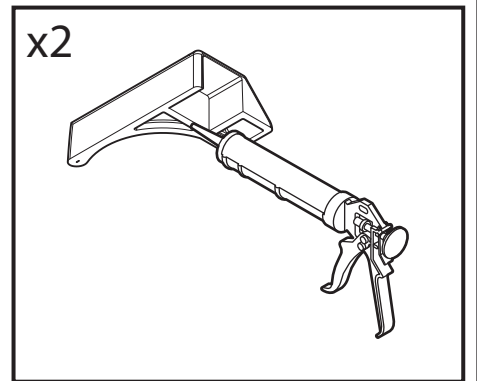
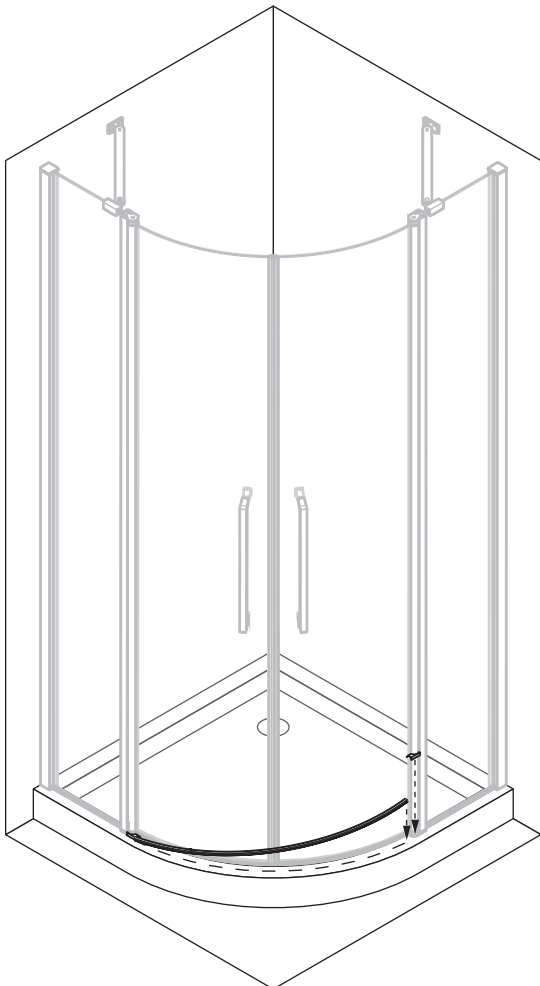
x2



# 17



# 18



# 19

