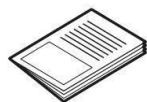
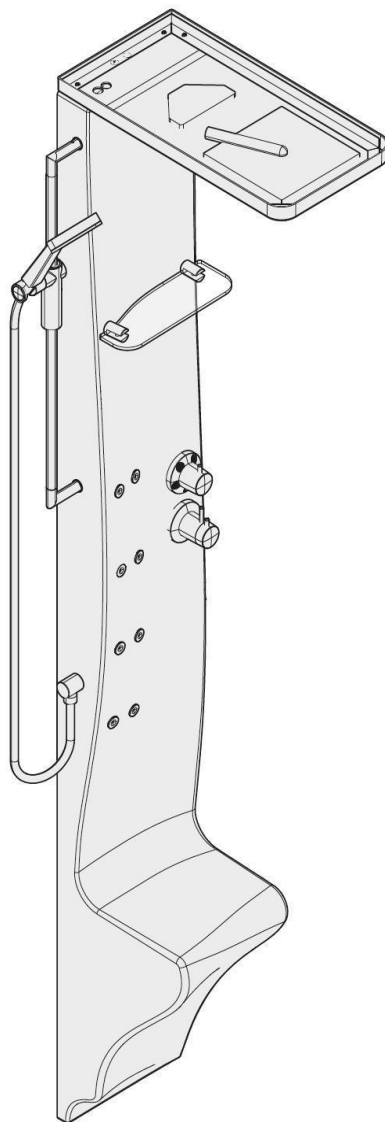
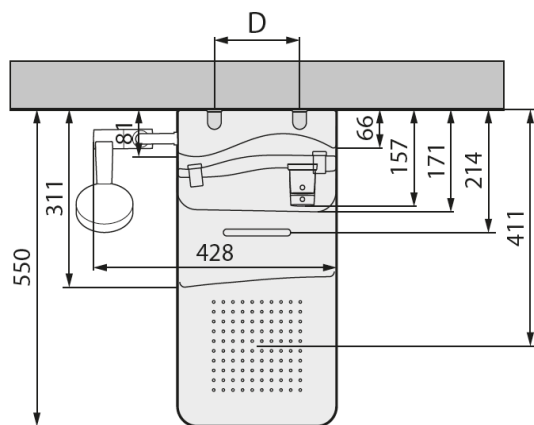
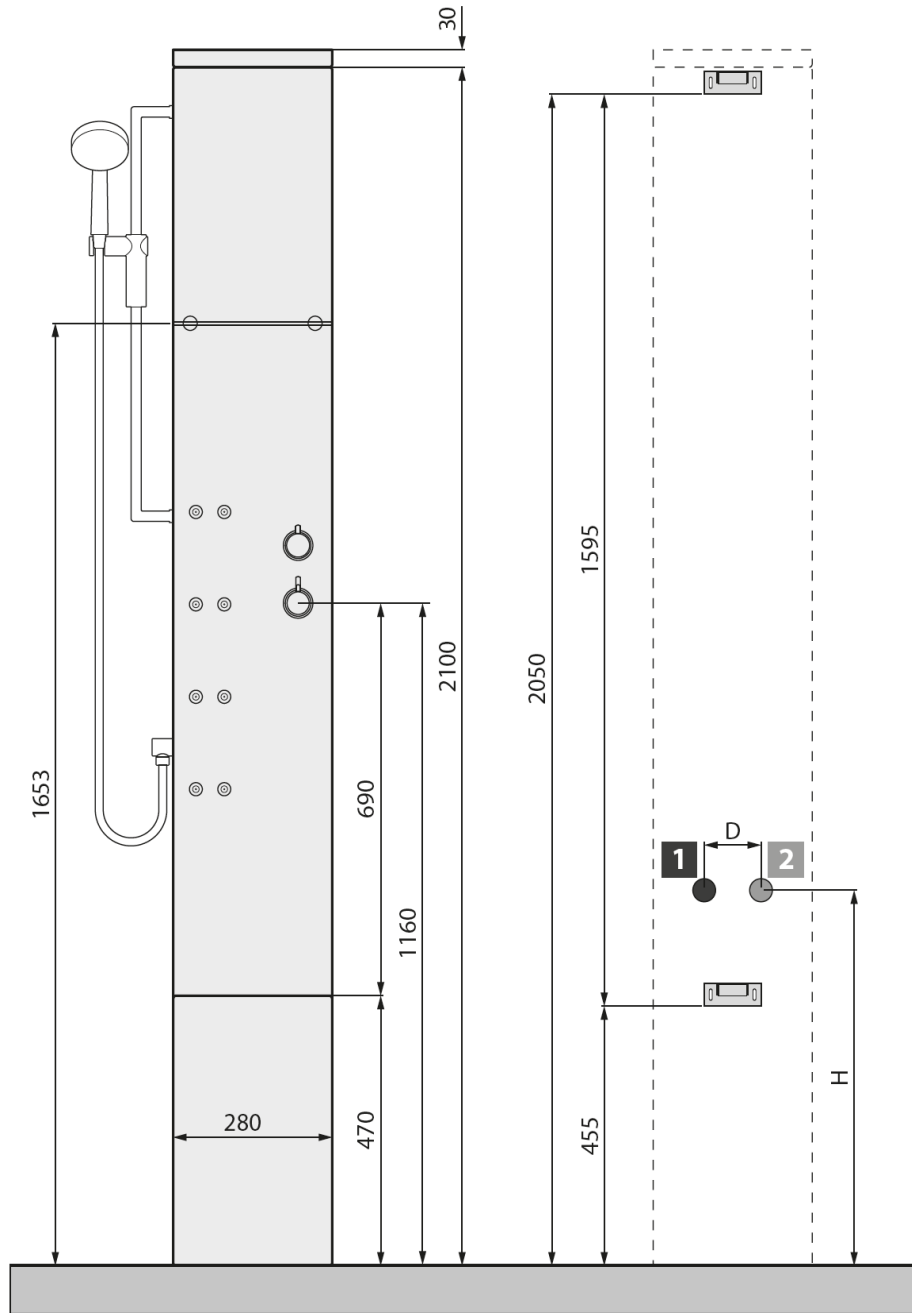


# DRESS +



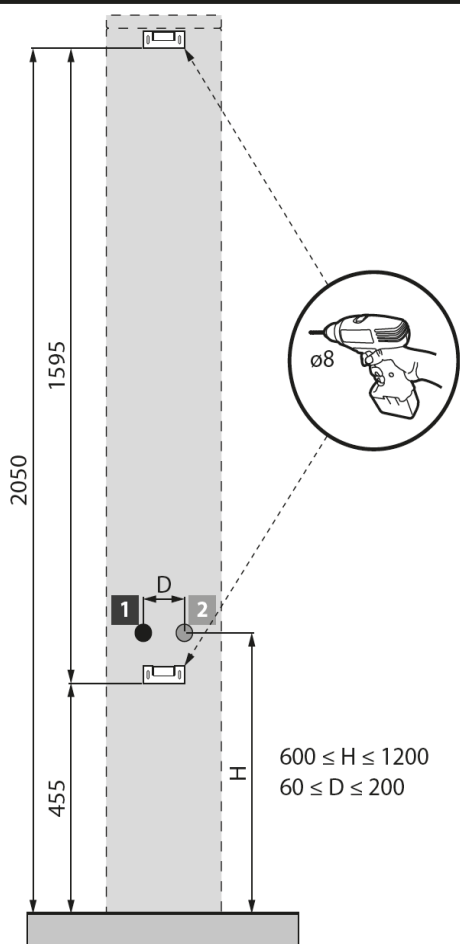
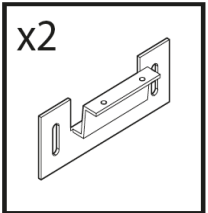

# DRESS PLUS



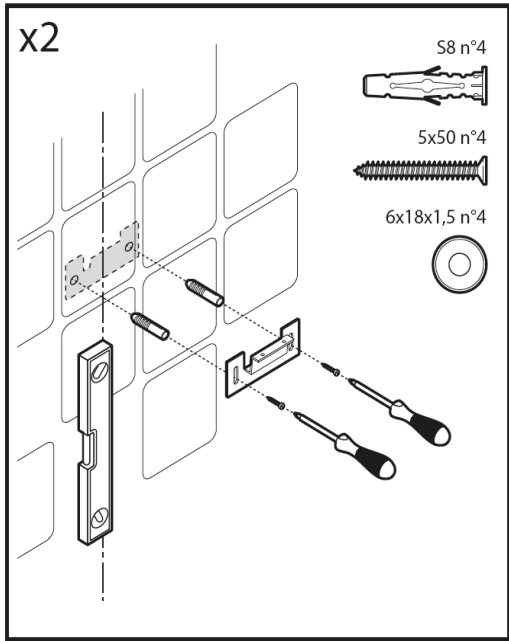
$600 \leq H \leq 1200$   
 $60 \leq D \leq 200$



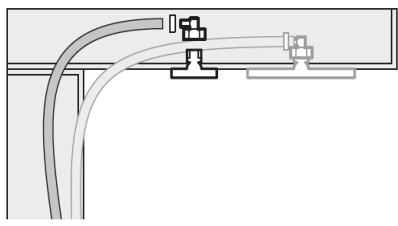
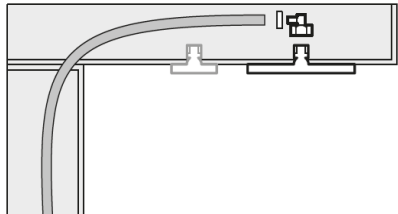
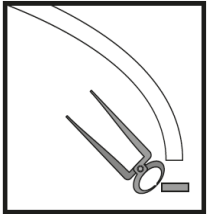
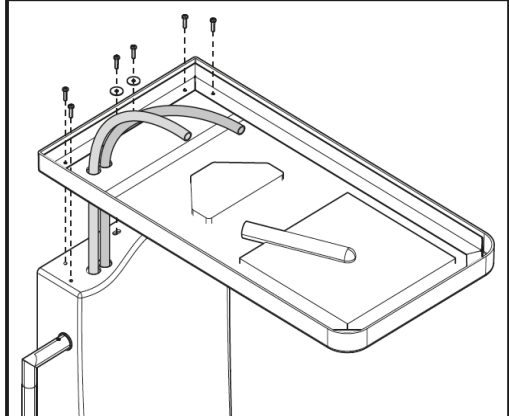
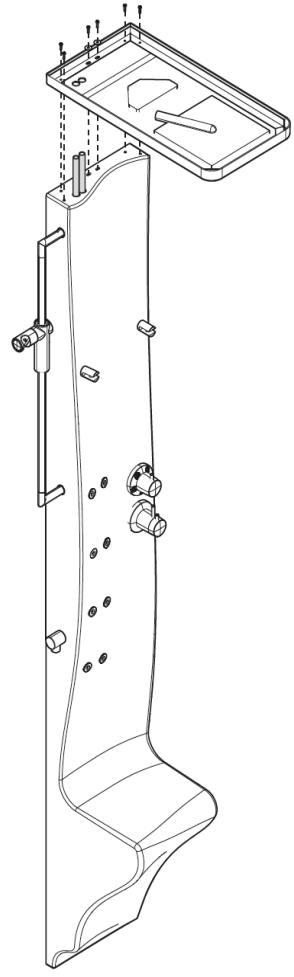
**1**



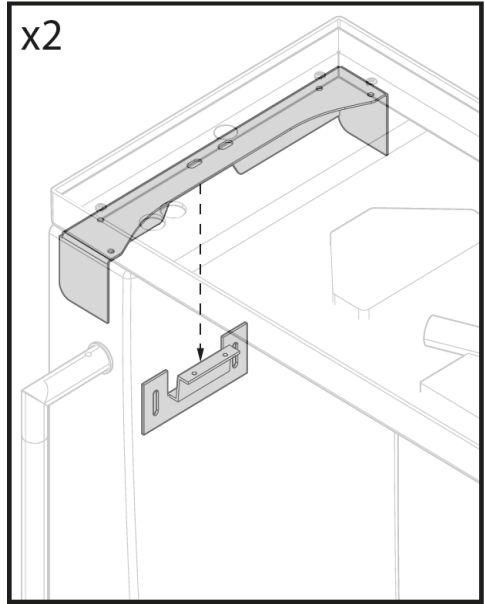
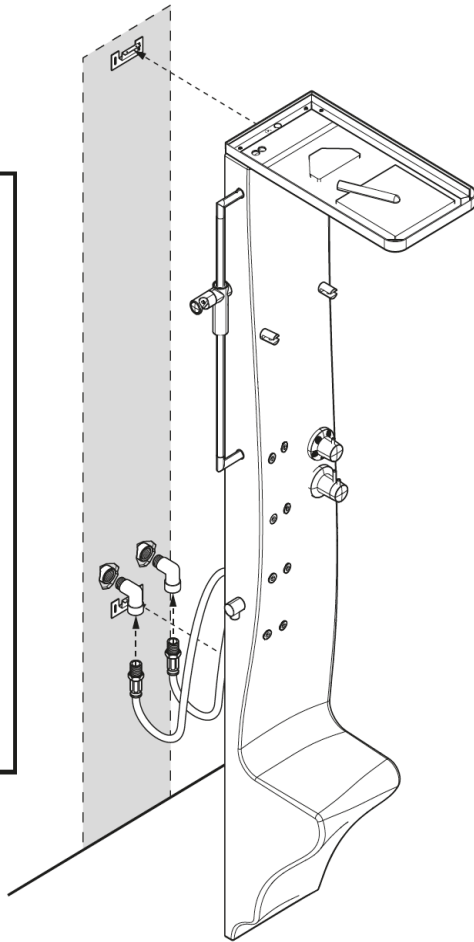
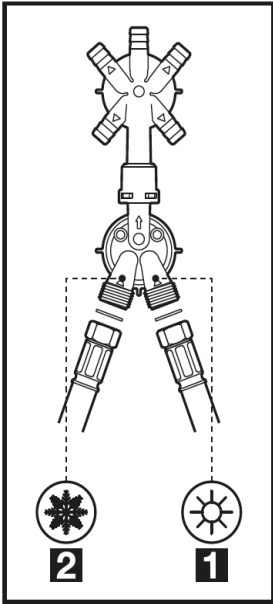
$600 \leq H \leq 1200$   
 $60 \leq D \leq 200$



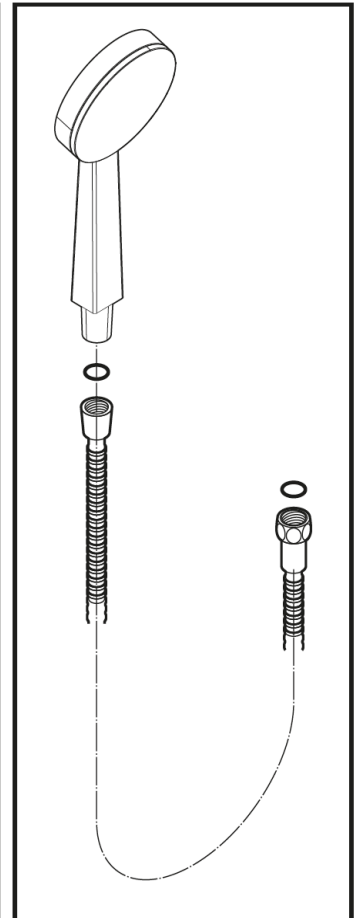
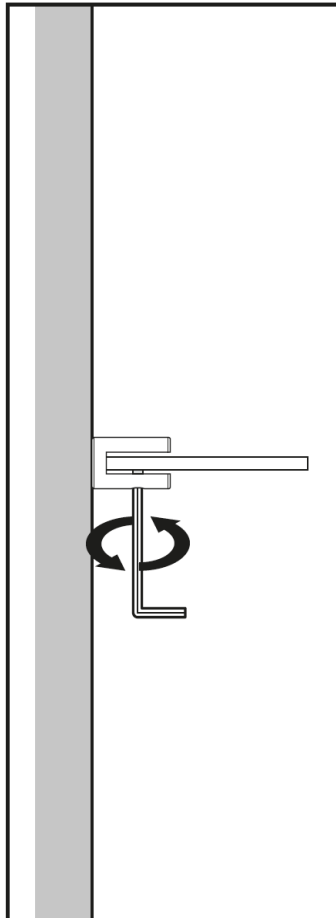
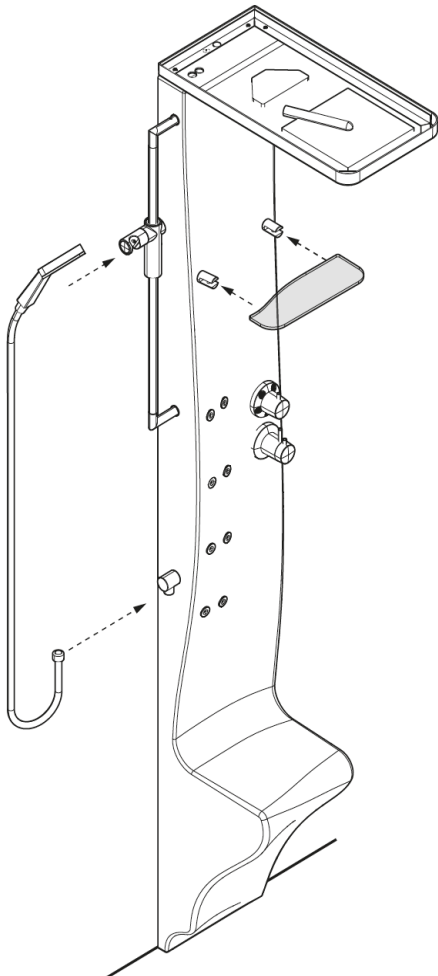
**2**

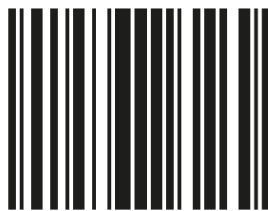


# 3



# 4





199448

**NOVELLINI S.p.A.**

Via Mantova, 1023 - 46030 Romanore di Borgo Virgilio (Mn)

Tel. +39 0376 6421 - Fax +39 0376 642250 - e-mail: [novellini@novellini.it](mailto:novellini@novellini.it)

[www.novellini.com](http://www.novellini.com)

60708IST (02 2016)