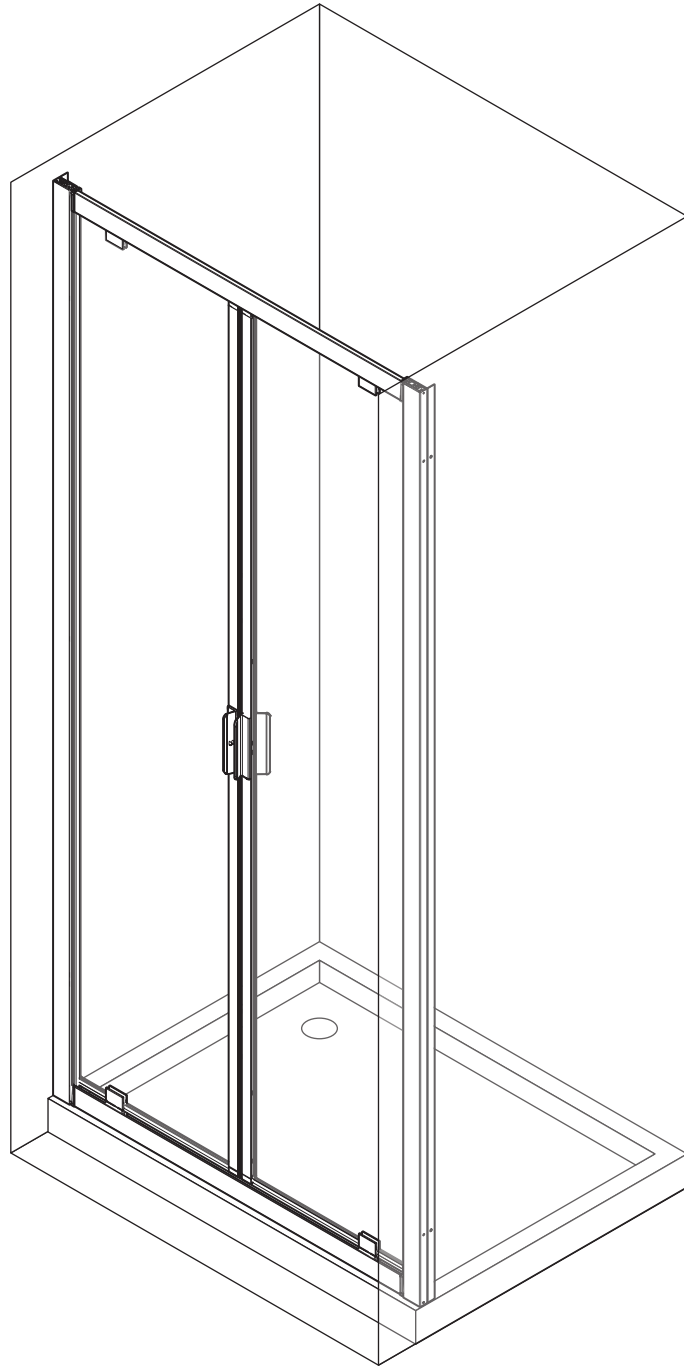
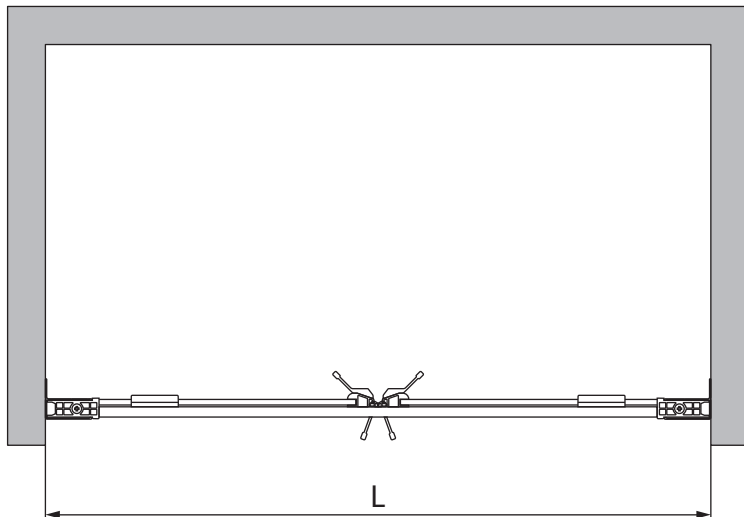
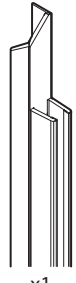
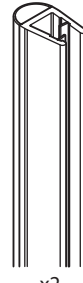
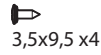
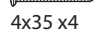
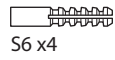
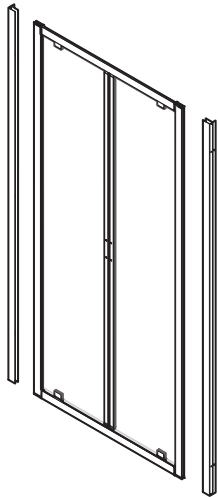
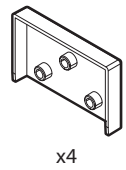
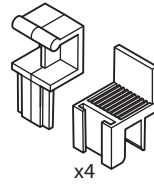
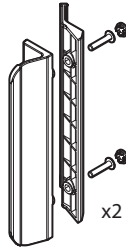
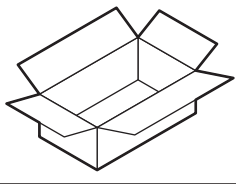
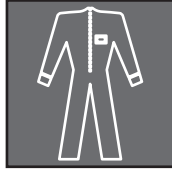
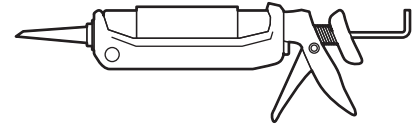
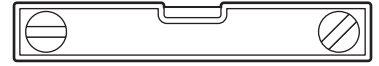
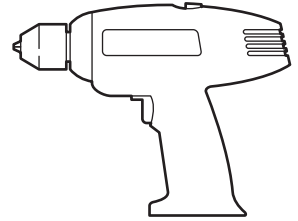
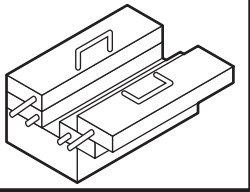
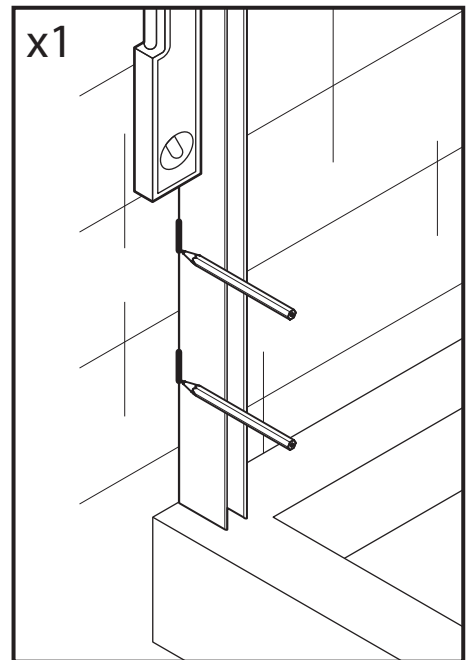
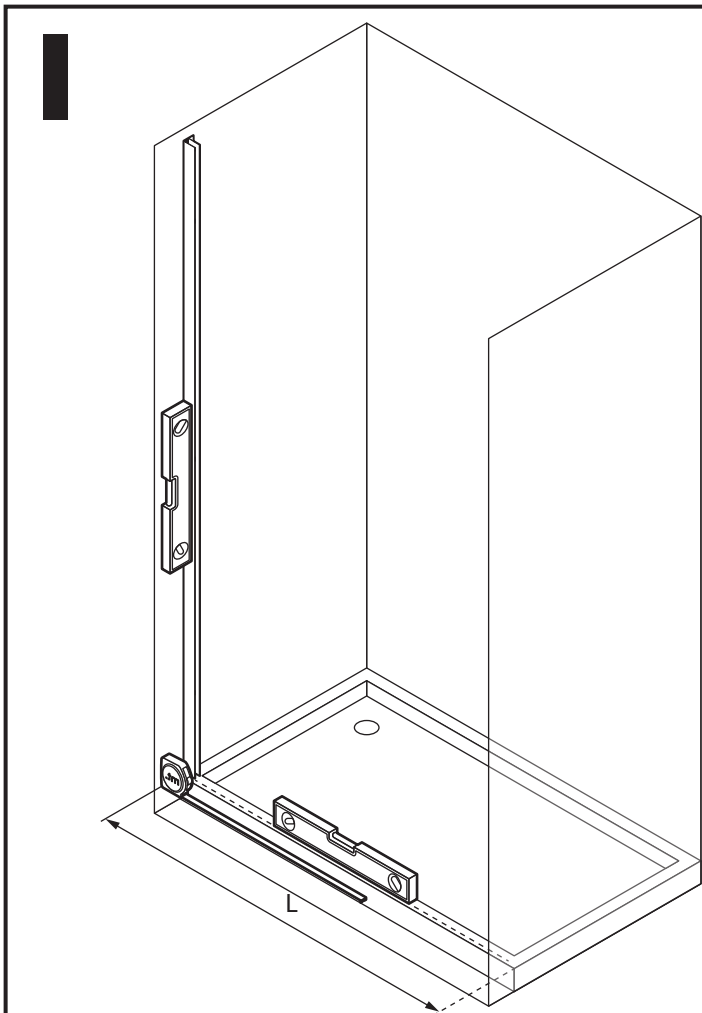


B

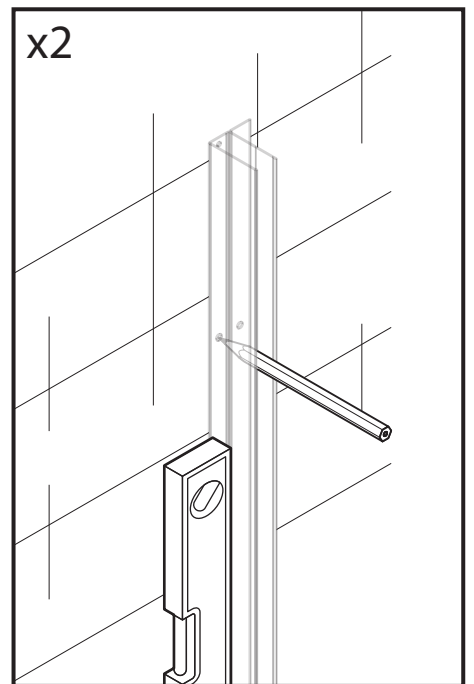
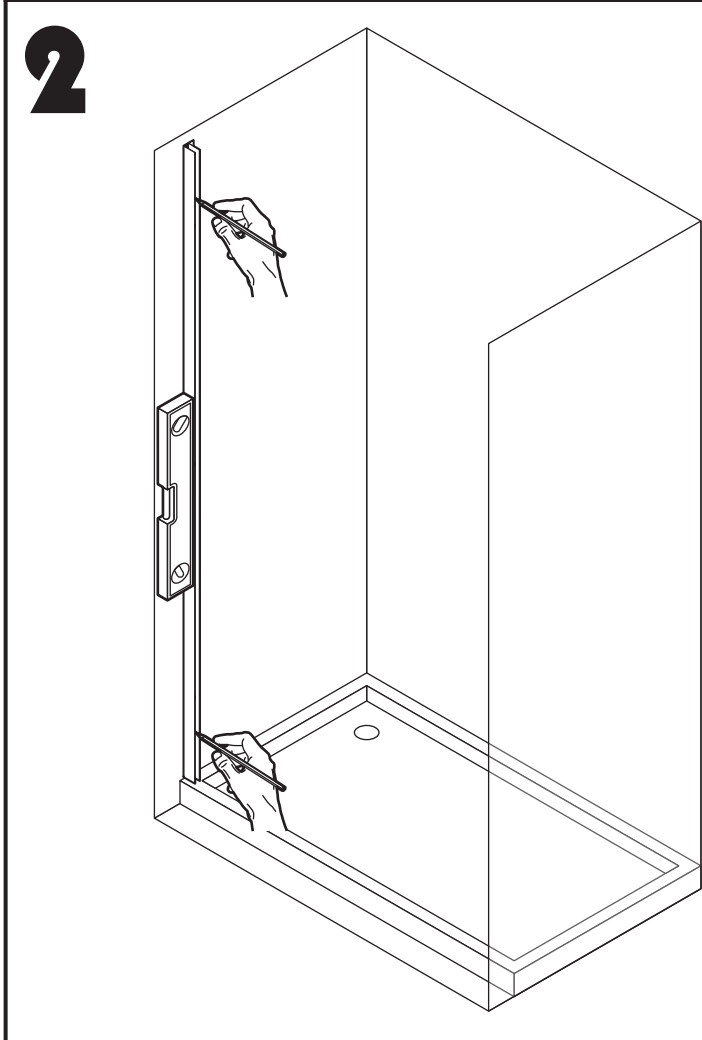




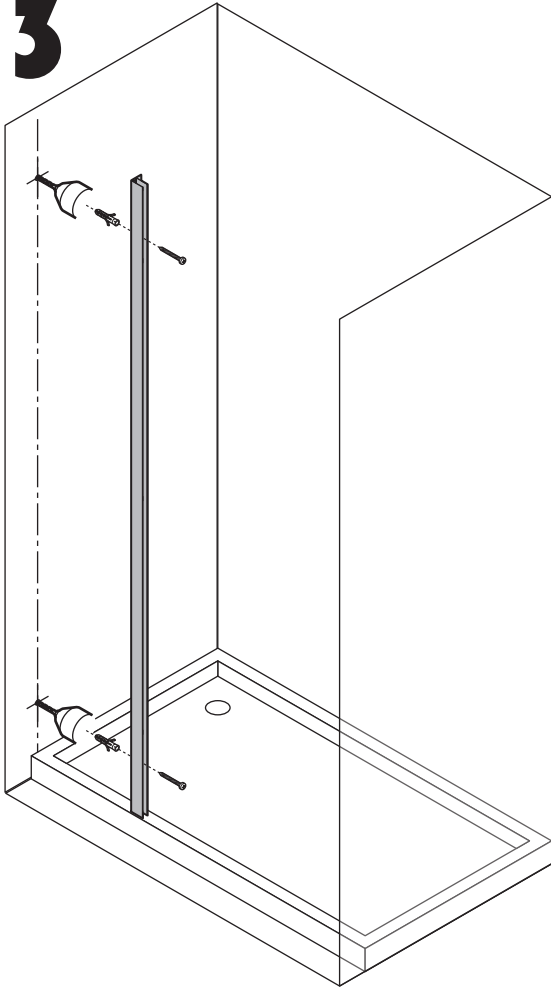
B 60	L=60-66 cm
B 66	L=66-72 cm
B 72	L=72-78 cm
B 78	L=78-84 cm
B 84	L=84-90 cm
B 90	L=90-96 cm
B 96	L=96-102 cm
B 102	L=102-108 cm
B 108	L=108-114 cm
B 114	L=114-120 cm



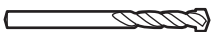


B 60	L=60-66 cm
B 66	L=66-72 cm
B 72	L=72-78 cm
B 78	L=78-84 cm
B 84	L=84-90 cm
B 90	L=90-96 cm
B 96	L=96-102 cm
B 102	L=102-108 cm
B 108	L=108-114 cm
B 114	L=114-120 cm



3

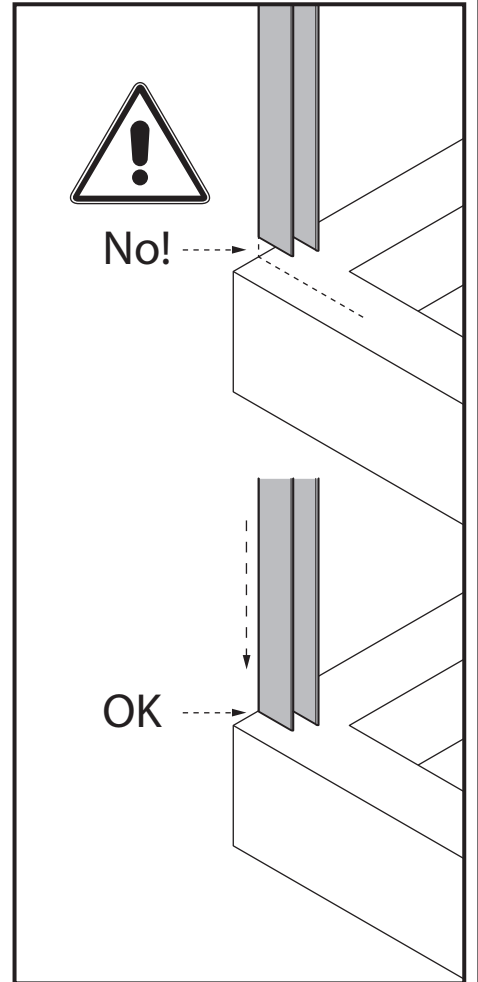


-  4x35 n.2
-  S6 n.2
-  $\varnothing 6$ mm

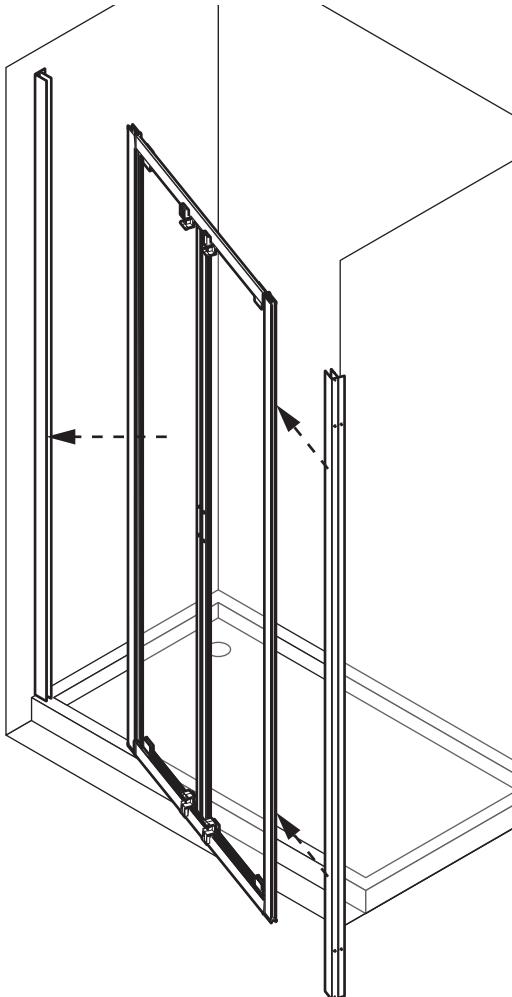


No!

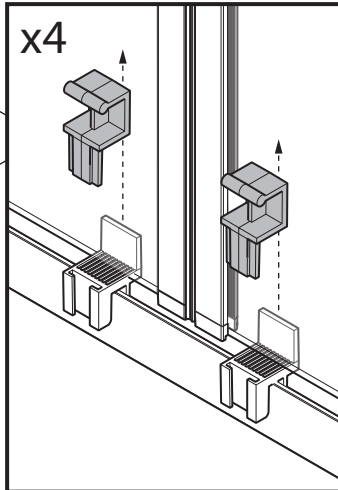
OK



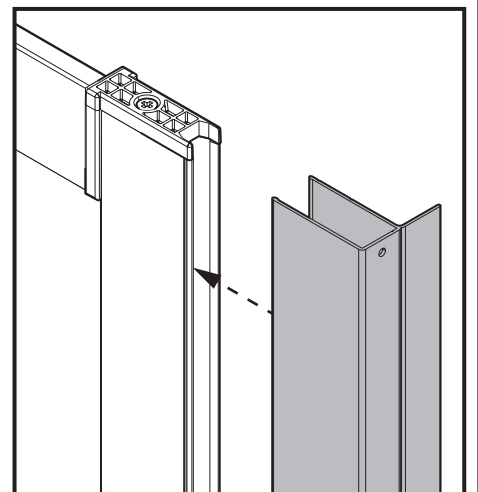
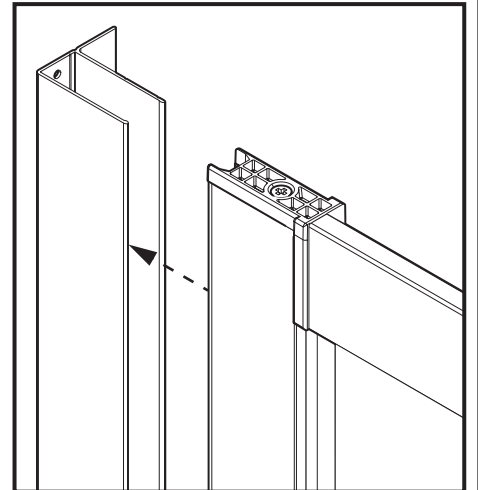
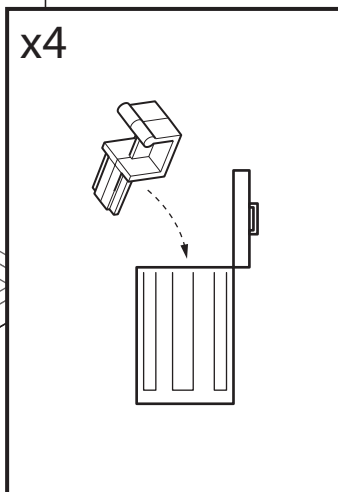
4



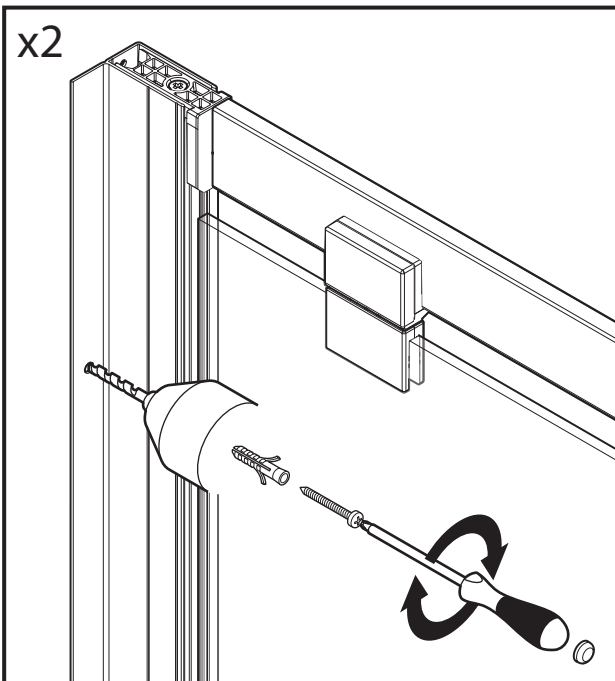
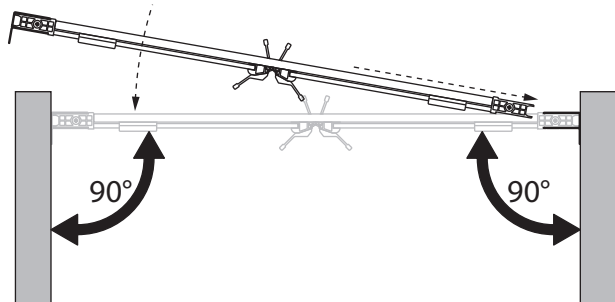
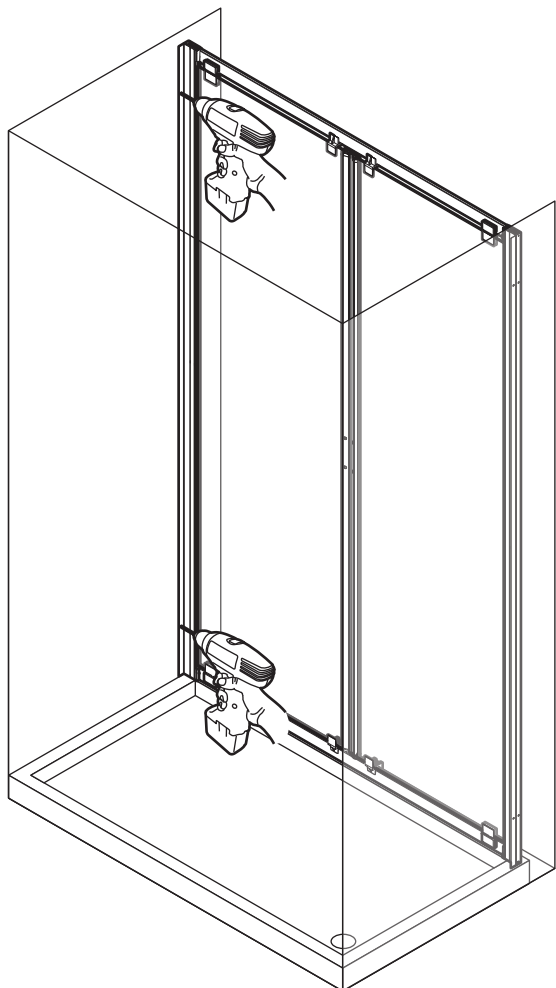
x4



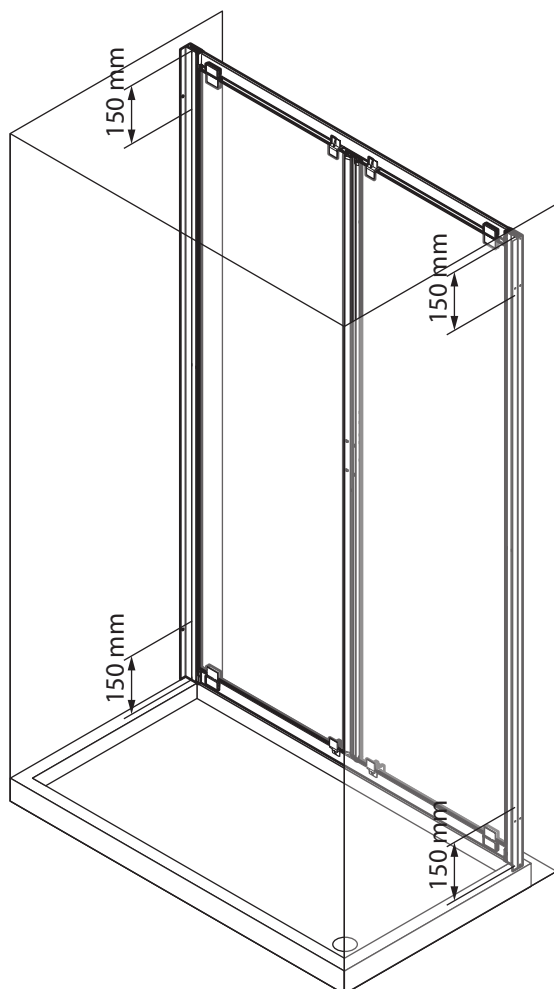
x4



5



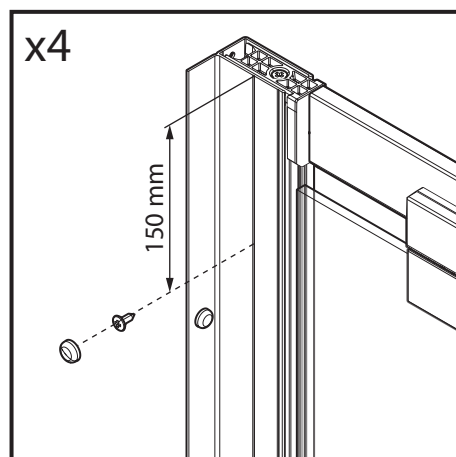
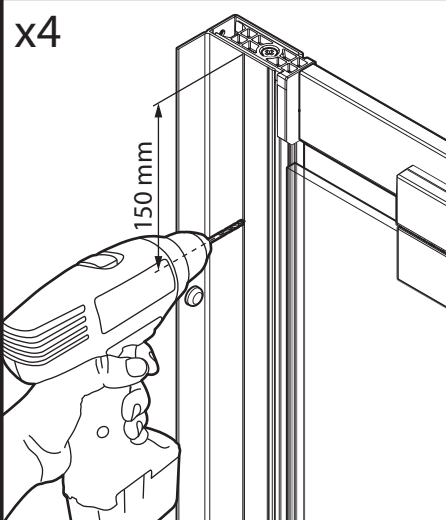
6



3,5x9,5 n.4

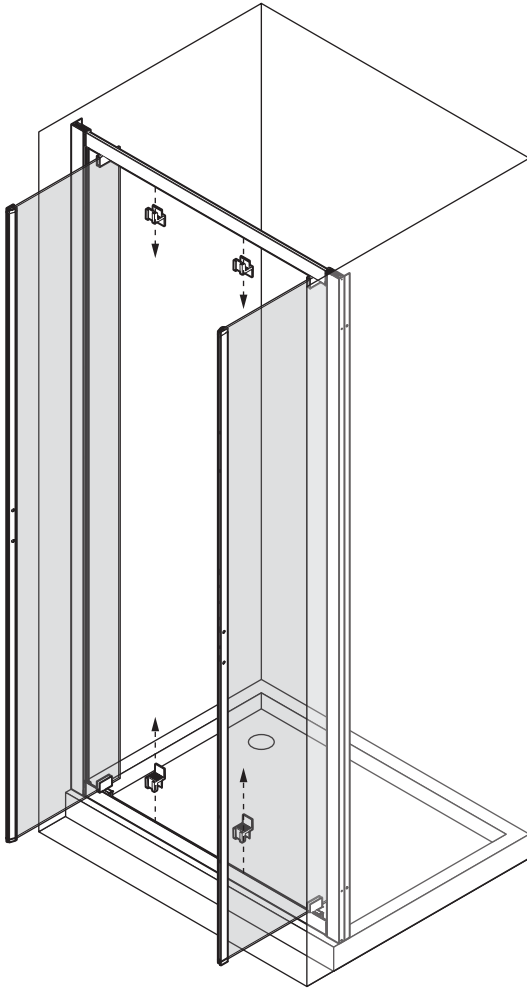


n.4

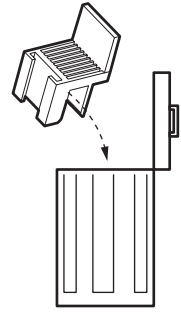


5

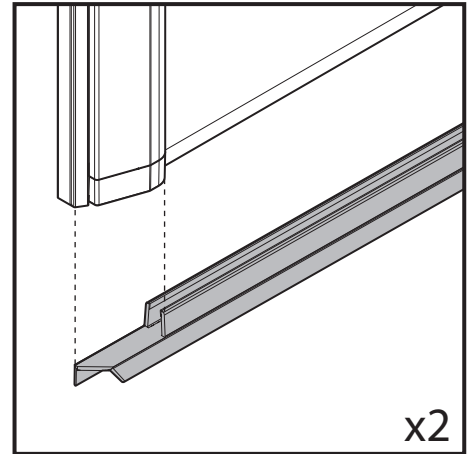
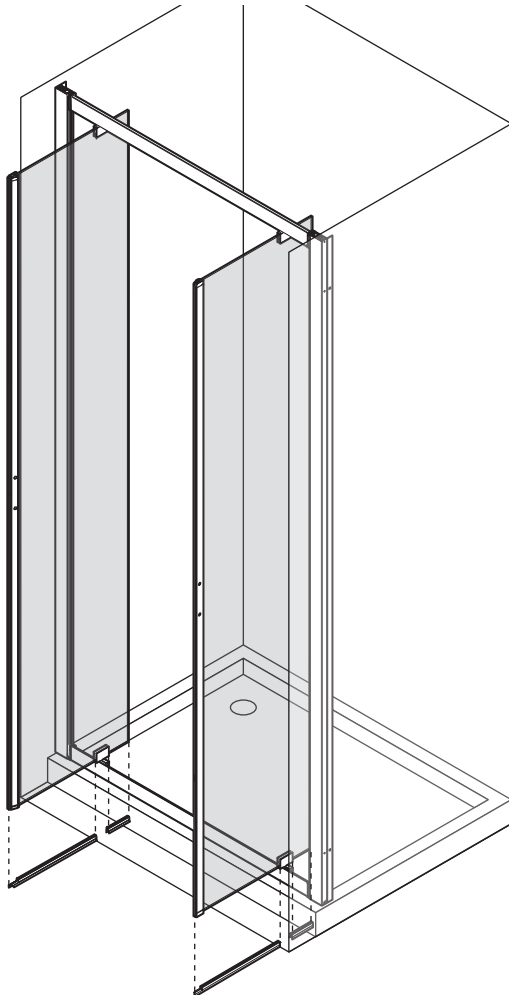
7



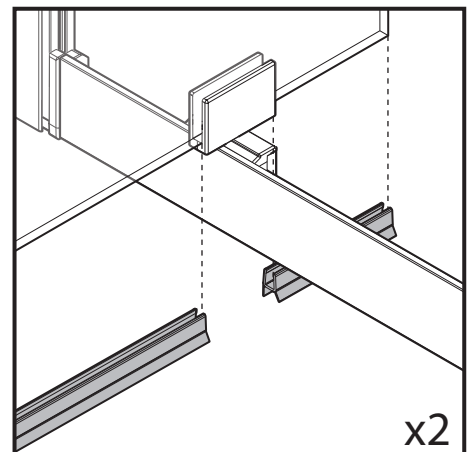
x4



8



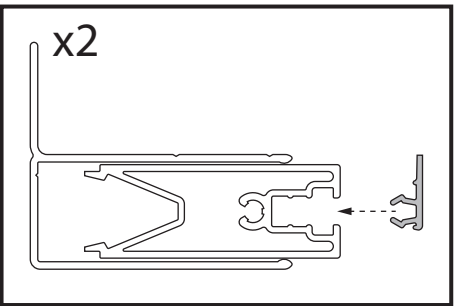
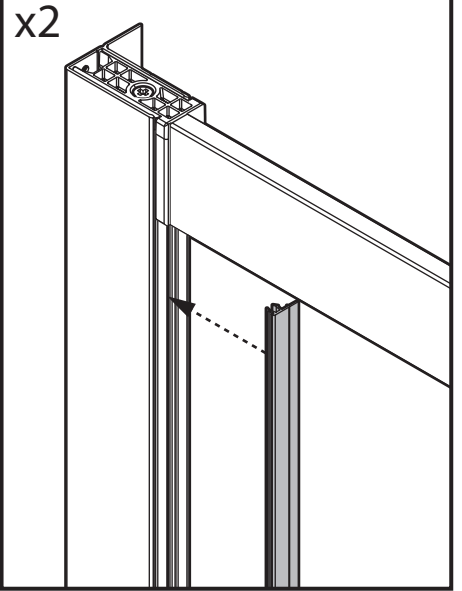
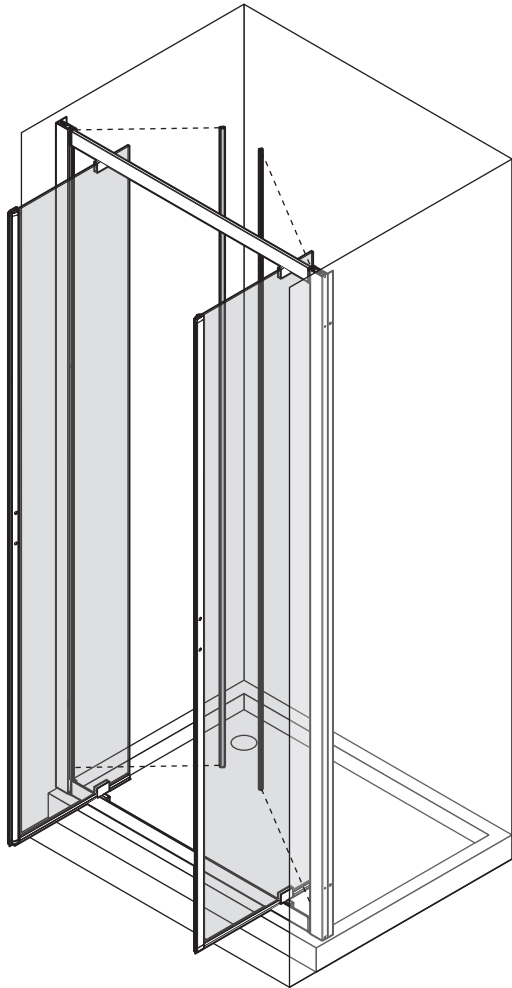
x2



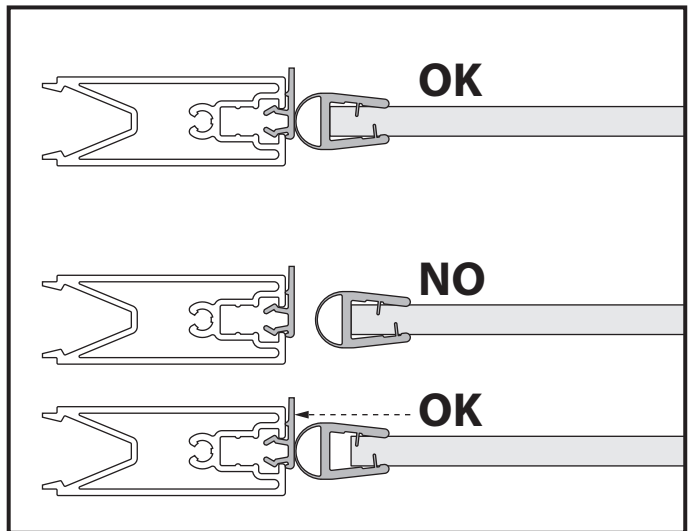
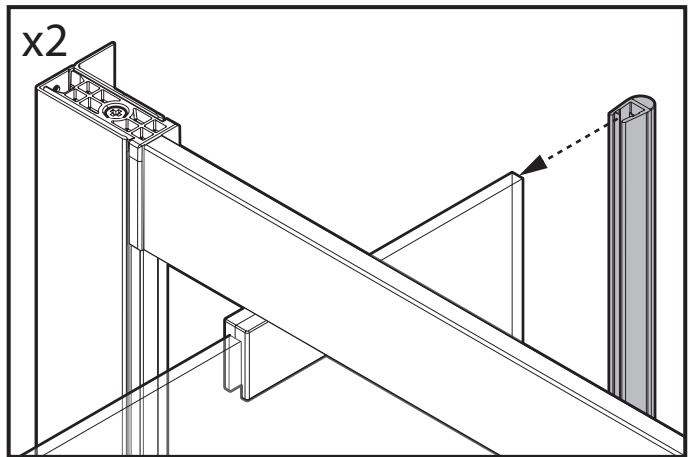
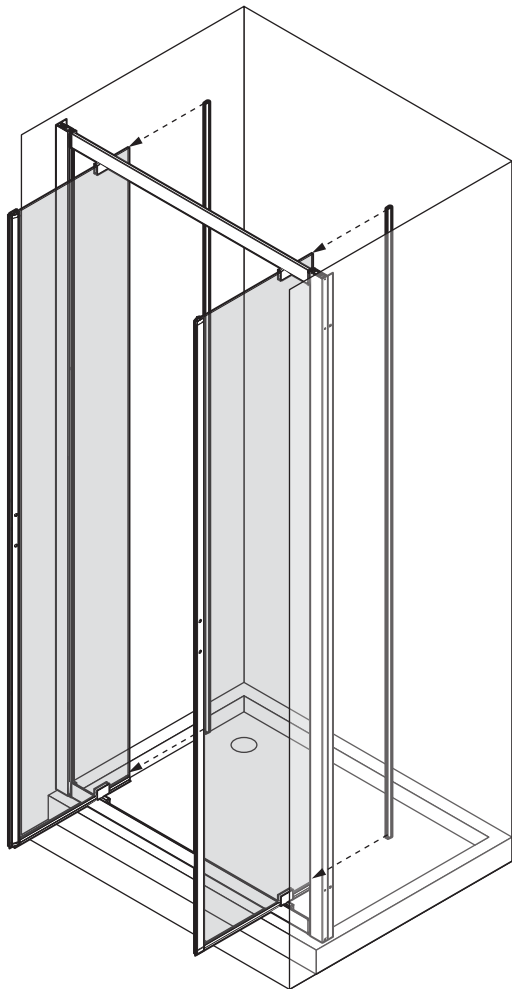
x2

6

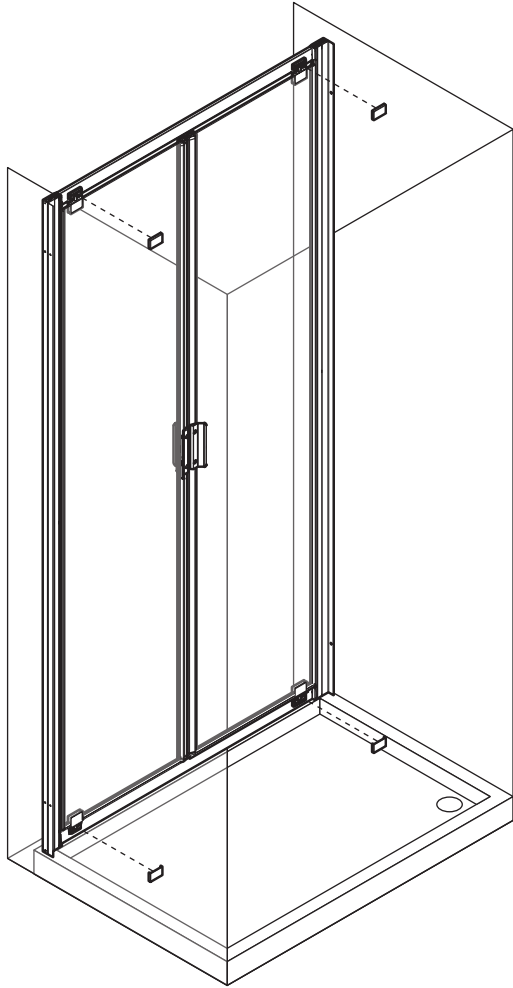
9



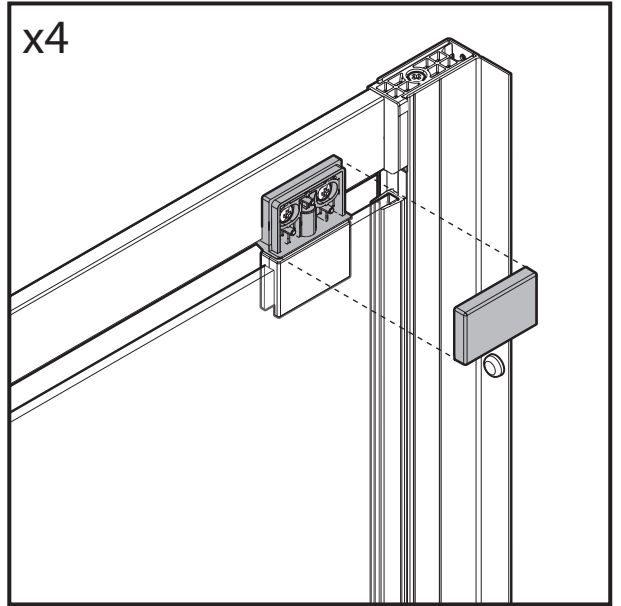
10



11



x4



12

